



Scan the QR code to see the manual.



OWNER'S MANUAL

AIR PURIFIER



Before beginning installation, read these instructions carefully. This will simplify installation and ensure that the product is installed correctly and safely. Leave these instructions near the product after installation for future reference.

ENGLISH

AS35GGW10

TABLE OF CONTENTS

This manual may contain images or content that may be different from the model you purchased.
This manual is subject to revision by the manufacturer.

SAFETY INSTRUCTIONS

READ AND SAVE THESE INSTRUCTIONS 3
WARNING INSTRUCTIONS 3
CAUTION INSTRUCTIONS 7

OPERATION

Product Overviews 9
Preparation before Operation 11
Examining Features 14
Operating the Air Purifier 16
Using the Extra Functions 17
Overall Air Quality 18

SMART FUNCTIONS

LG ThinQ Application 19
Smart Diagnosis 20

MAINTENANCE

Maintaining the Product 21

TROUBLESHOOTING

Before Calling for Service 26

APPENDIX

Information 29

SAFETY INSTRUCTIONS

READ AND SAVE THESE INSTRUCTIONS

The following safety guidelines are intended to prevent unforeseen risks or damage from unsafe or incorrect operation of the appliance. The guidelines are separated into 'WARNING' and 'CAUTION' as described below.

Safety Messages



This symbol is displayed to indicate matters and operations that can cause risk. Read the part with this symbol carefully and follow the instructions in order to avoid risk.



WARNING

This indicates that failure to follow the instructions can cause serious injury or death.



CAUTION

This indicates that failure to follow the instructions can cause minor injury or damage to the product.

WARNING INSTRUCTIONS

WARNING

- To reduce the risk of explosion, fire, death, electric shock, injury or scalding to persons when using this product, follow basic precautions, including the following:

Technical Safety

- This appliance is not intended for use by persons (including children) with reduced physical, sensory or mental capabilities or lack of experience and knowledge, unless they have been given supervision or instruction concerning use of the appliance by a person

responsible for their safety. Children should be supervised to ensure that they do not play with the appliance.

- The fan is not a toy. It should not be played with or placed where young children can reach it.
- If the supply cord is damaged, it must be replaced by the manufacturer, its service agent or similarly qualified person in order to avoid a hazard.
- Only an authorized repair person should disassemble, repair, or modify the appliance.
- Do not touch the power plug with wet hands.
- Do not place the power cord under rugs, carpeting or mats.
- Do not install and use broken parts.
- Do not continue to use the product if it is visibly damaged.
- The appliance is only to be used with the power supply unit provided with the appliance.
 - Failure to use the supplied power supply may result in reduced performance or failure of the product, and may result in safety hazards.
- The appliance must only be supplied at safety extra low voltage corresponding to the marking on the appliance.
- Be careful not to subject the power plug and adapter to shock.
- The connecting inlet plug must be connected only to an outlet plug of the same technical characteristics as the inlet plug in terms of.

Installation

- Do not install the appliance on an uneven or inclined surface.
- Do not install the appliance in an area exposed to direct sunlight or near heat-generating equipment.
- Do not install the product in a place where combustible gas may leak or industrial oil or metallic particulates are present.
- Do not allow the appliance to push against the power cord or plug.
- Do not bend the power cable excessively or place a heavy object on top of it.

- Do not extend the length of the power cable or alter it.
- Do not use several devices on a multi-socket extension outlet.
- Make the connection securely so that screw in terminals may not be loosened when the cable is pulled.
- Make sure that the power cable cannot be pulled out or damaged during operation.
- When unplugging the power cord, always pull it by the plug.
- Unplug the appliance during thunder or lightning storms or when not in use for a long time.

Operation

- If the appliance is immersed in water, stop using it and contact an LG Electronics Customer Information Center.
- If there is a gas leakage (isobutane, propane, LNG, etc.), do not touch the appliance or power plug and ventilate the area immediately.
- If you detect any abnormal noise, odor or smoke, unplug the appliance immediately and contact an LG Electronics Customer Information Center.
- Do not clean the appliance with brushes, cloths or sponges which are abrasive or made of metal.
- Do not use or store fire, combustibles (ether, benzene, alcohol, drugs, propane, butane, combustible spray, insecticide, air freshener, cosmetics, etc.) or flammable materials (candles, lamps, etc.) near the product.
- Do not allow animals or pets to chew on the power cord.
- Do not move the appliance when it is in operation.
- Do not hit the appliance.
- Do not insert hands or metal objects into the air inlet or outlet.
- Do not put flammables into the appliance.
- Do not move or operate the appliance while its cover is open.
- Do not allow children to climb on or play with the appliance.
- Do not place anything on top of the appliance.

- If the electrical appliance is visibly damaged, do not allow electrical appliances to work.

Maintenance

- Dispose of the packing materials (vinyl, styrofoam, etc.) to keep them out of reach of children.
- Take care not to injure or pinch yourself when you detach and reattach parts of the appliance.
- Turn off and unplug the appliance before cleaning it or replacing the filter.

CAUTION INSTRUCTIONS

CAUTION

- To reduce the risk of minor injury to persons, malfunction, or damage to the product or property when using this product, follow basic precautions, including the following:

Installation

- Do not tilt the appliance to pull or push it when transporting.
- Do not install the appliance in a vehicle, RV, or marine vessel.
- Do not place the appliance near a TV or stereo equipment.
- Do not place the appliance under bright light.
- The appliance must be installed in accordance with national wiring regulations.
- When moving or storing the appliance, wrap the power cord around the base of the appliance to prevent personal injury, damage to the cord or damage to floors.
- Do not place the appliance near curtains.
- Insert the adapter all the way into the adapter connection terminal, and avoid moving it while connected.

Operation

- Do not use the product for removal of toxic gas such as carbon monoxide.
- Do not use the product for ventilation purposes.
- Do not use the appliance for a long time in a region with unstable voltage.
- Do not place obstacles around the air inlet or outlet.
- For safe use of the appliance, children or others with reduced mental capabilities need to be closely monitored by a person who is responsible for their safety.
- Do not use the product for special purposes such as preserving plants, precision instruments, artworks, etc.

- Do not operate the appliance with wet hands.
- Do not let the moisture from a humidifier directly touch the appliance.
- Do not use the appliance while it is not in an upright position.
- Do not use the appliance near objects vulnerable to heat.
- Do not use detergents, cosmetics, chemicals, air fresheners, or disinfectants in the appliance.
- Do not touch any internal parts while the unit is operating or immediately after operation.
- Use the filter only for its intended purpose.
- Do not forcefully separate the filters, as the filters are attached.
- Do not insert any objects in the air outlet.

Maintenance

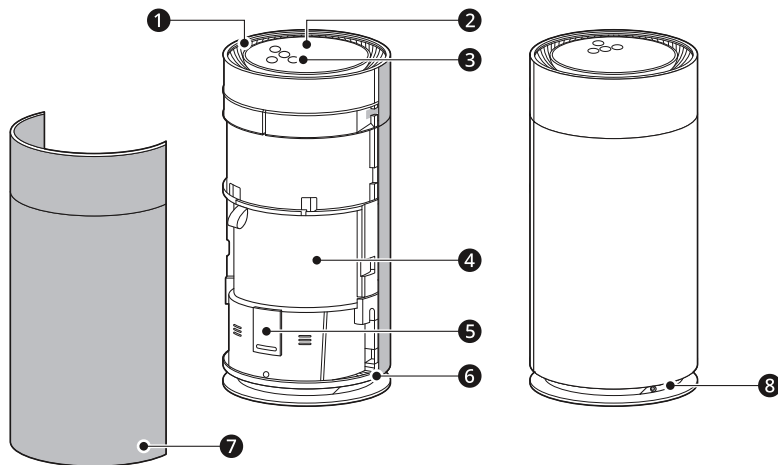
- Do not use strong detergents or solvents to clean the appliance. Use a soft cloth to clean.
- Do not clean the appliance with an alkaline detergent.
- Do not wipe the appliance surface using sulfuric acid, hydrochloric acid or organic solvents (thinner, kerosene etc.) or attach a sticker on the appliance.
- Do not allow water inside the appliance.
- Do not wash the filter with water.
- Be careful not to damage the pre-filter when cleaning it with a vacuum cleaner.

OPERATION

- The exterior or components of the product may vary depending on the model.

Product Overviews

Air Purifier



1 Air Outlet

- Purified air from the filter is emitted.

2 Status Panel

- Use it to check the settings of the appliance and the air quality.

3 Control Panel

- Use it to set the appliance functions.

4 Filter

- It eliminates fine particles, smog causing materials, sickening house syndrome materials, and domestic odor.

5 PM1.0 Sensor

- It detects the level of the concentration of particulate matter (PM).

6 Handle

- Use it to carry and move the product.

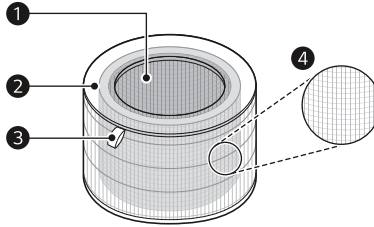
7 Air Inlet (Cover)

- Air is sucked into the air purifier through the air inlet.
- Allows you to disassemble the front and the rear covers separately.

8 Adapter Connection Terminal

- The adapter can be separated.

Filter



1 Deodorization Filter

- Minimizes smog causing materials (SO₂, NO₂), sickening house syndrome materials (toluene, formaldehyde), domestic odor, and sulphur compounds.

2 Safe Plus Filter

- Minimizes PM1.0, allergen materials, bacterial and viral from the air.

3 Filter Handle

- Allows you to separate the filter from the product.

4 Pre-Filter

- Minimizes large particles floating in the air.

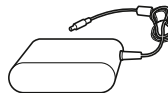
⚠ CAUTION

- Do not forcefully separate the filters, as the filters are attached.
 - Do not throw the filters or use them for other purposes.
-

Components



1



2

1 Quick Guide

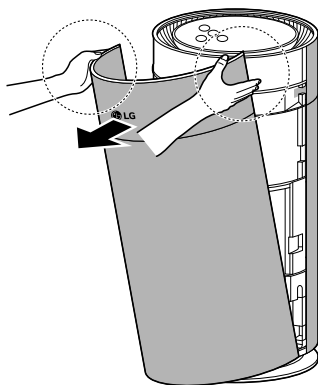
2 Adapter

Preparation before Operation

Removing the Protective Vinyl from the Filter

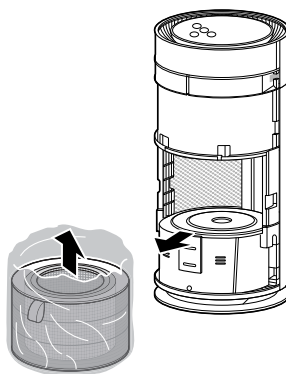
Unpack the appliance and remove all packing tape and filter vinyl before using the appliance.

- 1 Take the product out of the box, and remove the vinyl or the fixing tape attached to the product.
- 2 Hold the top end of the front cover of the product with the **LG logo** and pull it slightly to achieve separation.



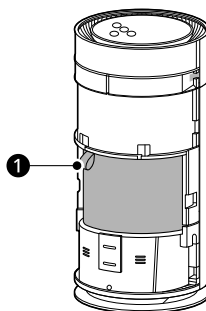
- 3 Remove the filter and detach the vinyl.

- When removing the packaged filter, separate it from the protective vinyl.



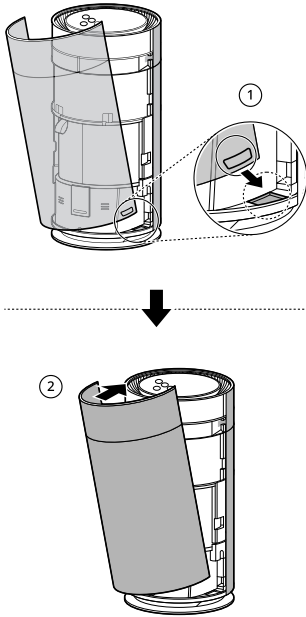
- 4 Install the filter into the product.

- Make sure that the side with the filter handle (1) is facing upward.

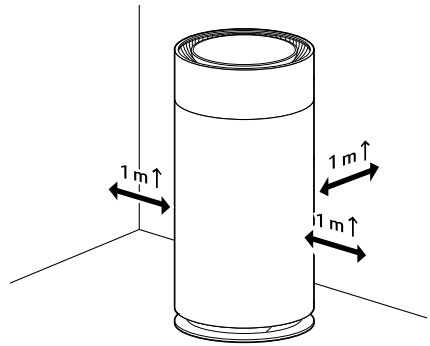


12 OPERATION

- 5** To install the cover again, insert the fixing part at the bottom of the cover into the fixed groove at the bottom of the product and then close it.



- If there is not enough room for air suction, the air purification performance may degrade.



- The performance of the appliance may vary depending on the service environment (temperature, humidity, etc.).
 - The appliance can provide the guaranteed performance in an environment with humidity ranging between 40 % and 70 %.
- Do not install the product in a place exposed to direct sunlight or near lighting fixtures with strong light.
 - This may cause product discoloration.

⚠ CAUTION

- Be sure to remove the protective vinyl from the filter before using the product.
- Pay attention to filter direction when installing it. Failure to do so may cause product malfunction and failure.

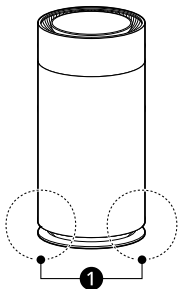
Transportation Requirements

- When moving or storing the product, separate the plug from the outlet and then separate the adapter so that it will not drag across the floor.
 - Failure to do so may damage the adapter or scratch the floor.

Installation Location Requirements

Install the product at least 1 m from walls.

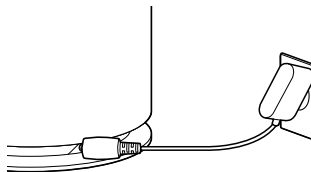
- Transport the product safely by holding the handle(❶) at the bottom of the product with both hands.



⚠ CAUTION

- Do not carry the product by holding the external cover.
 - Doing so may allow the cover to open and the product to drop. Dropping the appliance may cause personal injury or product malfunction.

- 2 Plug the power plug of the adapter into the outlet.

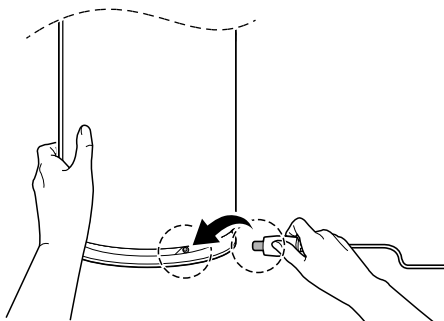


NOTE

- Hold the product and connect or disconnect the adapter horizontally.
- Connect the adapter to the end, and do not move it after it is connected. (Doing so may result in damage.)
- Be careful not to apply impact to the adapter. Failure to do so may result in damage.

Connecting the Power

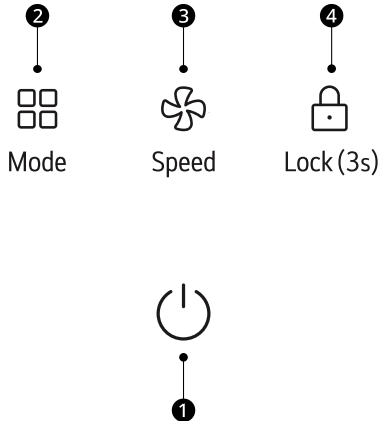
- 1 Connect the adapter to the adapter connection terminal on the back of the product.



Examining Features

Controlling the Air Purifier

Control Panel



1 Start/Stop Button

Turns the product on and off.

- To prepare the product to connect to Wi-Fi through the **LG ThinQ** application, press and hold the button for 3 seconds or more.

2 Mode Button

Use it to set the mode.

3 Speed Button

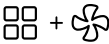
Use it to adjust the fan speed of the air purifier.

4 Lock Button

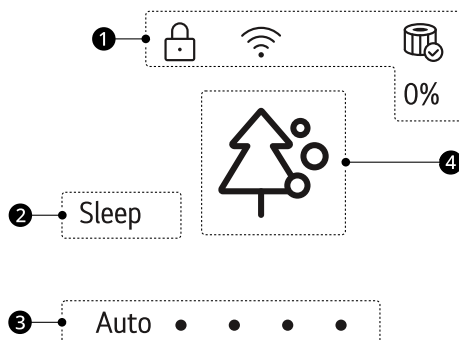
You can lock or unlock the control panel by pressing and holding the button for 3 seconds.

NOTE

- You can use additional functions by pressing the buttons on the control panel for 3 seconds.

Long press (more than 3 seconds)	Extra Functions
	Filter Status Notification Reset

Status Panel



1 Add-on Display

Icon	Description
	Lights up when the lock function is set.
	Lights up when the Wi-Fi function is activated.
	The color indicates the life of the filter. For detailed information, refer to Replacing the Filters .

2 Display operating mode

It indicates the mode that is operating currently.

3 Display speed

Displays the air purifier's fan speed.

Speed	Display	Description
Auto	Auto ● ● ● ●	LED changes according to the overall air quality.
Low	●	1 LED ON
Middle	● ●	2 LED ON
High	● ● ●	3 LED ON
Turbo	● ● ● ●	4 LED ON

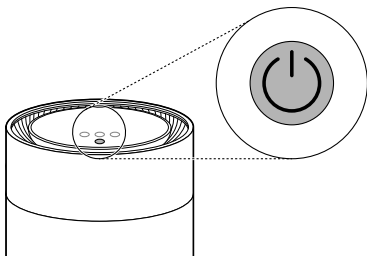
4 Overall Air Quality (Color)

The overall air quality is indicated by color. → See **Overall Air Quality** for detailed color information.

Operating the Air Purifier

Start/Stop

Press the **Start/Stop** button to turn on or off the air purifier.



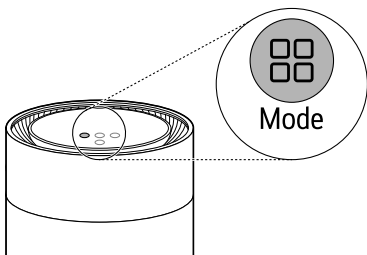
NOTE

- When the operation is started for the first time, the appliance operates in **Purify** mode.
- The most recently used mode is memorized if the power supply is cut off as a result of a power failure.
- When the operation begins, the Overall Air Quality will take around 30 seconds to display on Status Panel.

Operation Mode

Each time you press the **Mode** button, the mode changes in the following order

: **Purify** → **Sleep**.

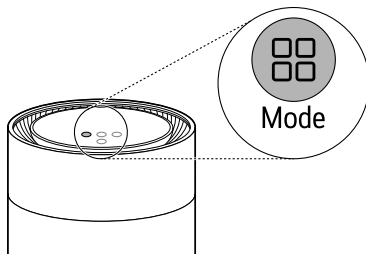


Using Purify Mode

The air purifier purifies indoor air.

Press the **Mode** button to choose the **Purify** mode.

- Each time you press the button, the operating mode changes in the following order: **Purify** → **Sleep**.



NOTE

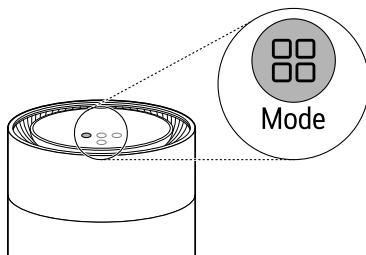
- **Purify** mode is not displayed on the status panel.

Using Sleep Mode

You can use the air purifier in a quiet environment when you go to sleep.

Press the **Mode** button to choose **Sleep** mode.

- Each time you press the button, the operating mode changes in the following order: **Purify** → **Sleep**.



NOTE

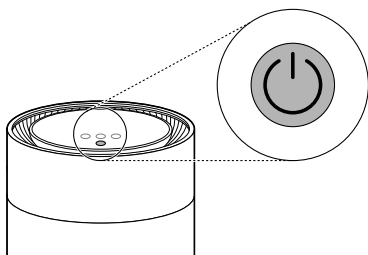
- The whole display is turned off except for the display of **Sleep** mode.

- You cannot set the operation time in **Sleep** mode separately. To cancel the **Sleep** mode, press the **Mode** button in the same way as in setting it.

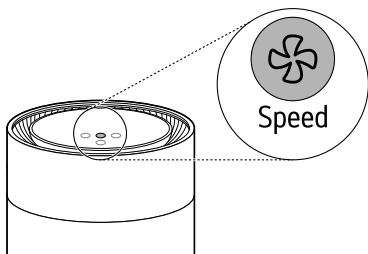
Adjusting the Fan Speed

You can adjust the fan speed from the air purifier.

- 1 Press the **Start/Stop** button to turn on the product.



- 2 To adjust the fan speed, press the **Speed** button.
 - When you press the button during product operation, the fan speed changes in the order of **Auto** → **Low** → **Medium** → **High** → **Turbo**.



NOTE

- When the operation is started for the first time, it will operate with **Auto** as the fan speed. The **Auto** adjusts automatically the speed according to the air quality level of the indoor air.

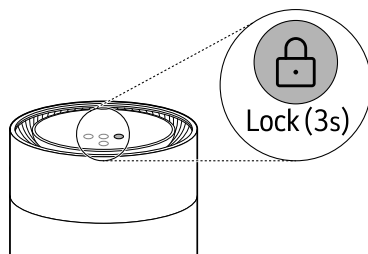
Using the Extra Functions

Locking the Control Panel

You can lock the buttons on the control panel to prevent the appliance from operating due to unforeseen reasons, such as a child manipulating the buttons.

Press the **Lock** button for 3 seconds or longer.

- Lock icon is displayed on the display panel when the Lock function is set.



NOTE

- You can turn off the lock function in the same way as turning it on.
- You can also lock or unlock when the operation has stopped.

Overall Air Quality

Understanding Overall Air Quality

The overall air quality is calculated based on the concentration of particulates and is categorized in 4 levels based on the level of pollution in the air. (Green, Yellow, Orange, and Red)

Color	Overall air quality	Concentration of PM ($\mu\text{g}/\text{m}^3$)		
	State	PM10	PM2.5	PM1.0
Red	Poor	255 or more	56 or more	56 or more
Orange	Unhealthy	155 ~ 254	36 ~ 55	36 ~ 55
Yellow	Moderate	55 ~ 154	13 ~ 35	13 ~ 35
Green	Good	54 or less	12 or less	12 or less

NOTE

- Overall air quality can be seen by the color of the air quality indicator.
- The color of the overall air quality indicator is determined based on the concentration of particulate matter (PM).
- PM concentration values are based on the data sheet provided by the sensor manufacturer.
- The PM concentration measurement was tested using LG Electronics' standard test materials.

SMART FUNCTIONS

LG ThinQ Application

The **LG ThinQ** application allows you to communicate with the appliance using a smartphone.

LG ThinQ Application Features

Smart Diagnosis

If you experience a problem while using the appliance, this **Smart Diagnosis** feature will help you diagnose the problem.

Settings

Allows you to set various options on the appliance and in the application.

NOTE

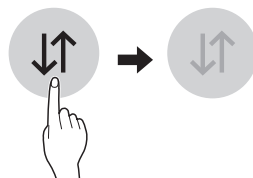
- In the following cases, you must update the network information for each appliance in the **LG ThinQ** application under **Device Cards** → **Settings** → **Change Network**.
 - wireless router is changed
 - wireless router password is changed
 - Internet service provider is changed
- The application is subject to change for appliance improvement purposes without notice to users.
- Functions may vary by model.

Before Using LG ThinQ Application

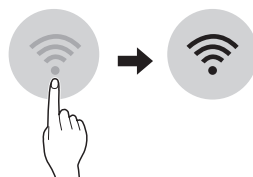
This feature is only available on models with Wi-Fi function.

- 1 Check the distance between the appliance and the wireless router (Wi-Fi network).
 - If the distance between the appliance and the wireless router is too far, the signal strength becomes weak. It may take a long time to connect or installation may fail.


- 2 Turn off the Mobile data or Cellular Data on your smartphone.



- 3 Connect your smartphone to the wireless router.



NOTE

- To verify the Wi-Fi connection, check that the Wi-Fi  icon on the status panel is lit.
- **The appliance supports 2.4 GHz Wi-Fi networks only.** To check your network frequency, contact your Internet service provider or refer to your wireless router manual.
- **LG ThinQ** is not responsible for any network connection problems or any faults, malfunctions, or errors caused by network connection.
- If the appliance is having trouble connecting to the Wi-Fi network, it may be too far from the router. Purchase a Wi-Fi repeater (range extender) to improve the Wi-Fi signal strength.
- The Wi-Fi connection may not connect or may be interrupted because of the home network environment.
- The network connection may not work properly depending on the Internet service provider.
- The surrounding wireless environment can make the wireless network service run slowly.

NOTE

- If the appliance cannot be connected due to problems with the wireless signal transmission, unplug the appliance and wait about a minute before trying it again.
 - If the firewall on your wireless router is enabled, disable the firewall or add an exception to it.
 - The wireless network name (SSID) should be a combination of English letters and numbers. (Do not use special characters.)
 - Smartphone user interface (UI) may vary depending on the mobile operating system (OS) and the manufacturer.
 - If the security protocol of the router is set to WEP, the network setup may fail. Change the security protocol (WPA2 is recommended) and connect the product again.
-

Installing the LG ThinQ Application

Search for the **LG ThinQ** application from the Google Play Store or Apple App Store on a smartphone. Follow instructions to download and install the application.

Open Source Software Notice Information

To obtain the source code that is contained in this product, under GPL, LGPL, MPL, and other open source licenses that have the obligation to disclose source code, and to access all referred license terms, copyright notices and other relevant documents, please visit <https://opensource.lge.com>.

LG Electronics will also provide open source code to you on CD-ROM for a charge covering the cost of performing such distribution (such as the cost of media, shipping, and handling) upon email request to opensource@lge.com.

This offer is valid to anyone in receipt of this information for a period of three years after our last shipment of this product.

Smart Diagnosis

Use this feature to help you diagnose and solve problems with your appliance.

NOTE

- For reasons not attributable to LGE's negligence, the service may not operate due to external factors such as, but not limited to, Wi-Fi unavailability, Wi-Fi disconnection, local app store policy, or app unavailability.
 - The feature may be subject to change without prior notice and may have a different form depending on where you are located.
-

Using LG ThinQ to Diagnose Issues

If you experience a problem with your Wi-Fi equipped appliance, it can transmit troubleshooting data to a smartphone using the **LG ThinQ** application.

- Launch the **LG ThinQ** application and select the **Smart Diagnosis** feature in the menu. Follow the instructions provided in the **LG ThinQ** application.


MAINTENANCE

Maintaining the Product

Scheduled Maintenance

⚠ WARNING

- Be sure to stop the appliance operation and remove the power plug from the outlet before cleaning and replacing the filter.
- Do not spray water directly on the appliance.

Component	Cleaning frequency	Replacement frequency
 Filter	Pre-Filter Clean filter as needed	1 year

NOTE

- The cleaning frequency may vary depending on the operating hours and environment of the appliance.
- If you do not clean the product according to the cleaning frequency, you may experience a bad odor and poor performance.
- The filter must be replaced at the end of its lifespan, and the cost of replacement filters is not covered under the warranty. To purchase new filters, contact an LG Electronics Customer Information Center or visit the website at www.lg.com
- If the overall air quality does not change on the display for a long time, clean the PM1.0 sensor even if it is not scheduled for a cleaning.

Cleaning the Exterior

- 1 Remove any dust from the air inlet and outlet using a vacuum cleaner.

- 2 Wipe the air outlet and the exterior of the product with a soft cloth.

⚠ CAUTION

- Do not wipe the appliance with an alkaline detergent.
- Never use sulphuric acid, hydrochloric acid or organic solvent (e.g., thinner, kerosene and acetone) to wipe the appliance exterior, or affix labels on the exterior. Doing so may damage the product surface.
- Care should be exercised to prevent flowing of water into the product.

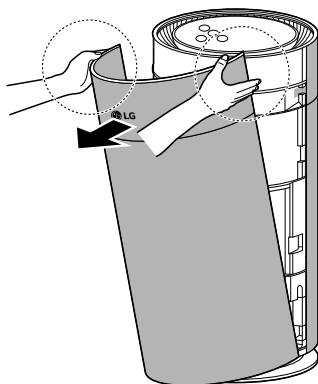
NOTE

- If dust on the front and rear covers cannot be removed, disassemble the covers and clean them with water. After cleaning, dry the covers thoroughly in the shade.

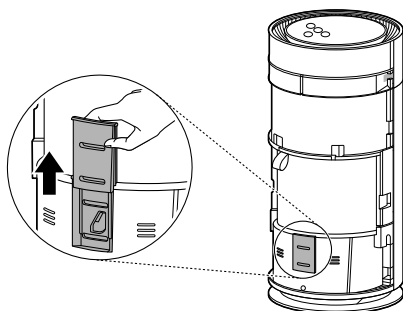
Cleaning the Particles Sensor

The PM1.0 sensor is the device detecting fine dust and large dust contamination levels, so it is recommended to clean the lens periodically, at least once every 2 months.

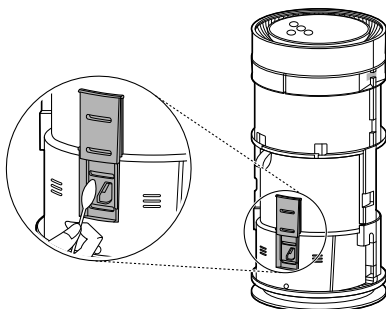
- 1 Hold the top end of the front cover of the product with the **LG logo** and pull it slightly to achieve separation.



- 2 Push the sensor cover up.



- 3 Clean the lens with a cotton swab soaked with water and clean it again with a dry cotton swab.



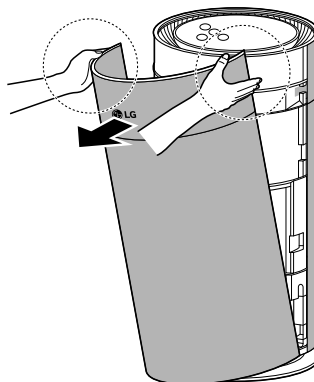
- 4 Close the sensor cover.

NOTE

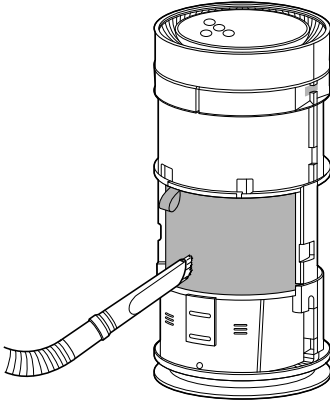
- Do not wipe the sensor with any substances other than water. It may cause a appliance to malfunction.
- When opening or closing the sensor cover, a sound may be heard as a result of friction.

Cleaning the Filters

- 1 Separate the front and rear covers from the product.



- 2 Using a vacuum cleaner or soft brush, remove any dust from the pre-filter surrounding the filter.



! CAUTION

- Do not clean the filter with water. The service life of the filter may be reduced.
- Be careful not to damage the pre-filter when using a vacuum cleaner.
- Take caution because there is a risk of tearing or loss when separating or assembling the pre-filter.
- Be careful as the filter may be damaged if it is covered with liquid.

Replacing the Filters

Checking Filter Status Notification

 Filter Status Notification

Color	Status
Green	The filter has been installed.
Orange	Prepare for filter replacement.
Red	Replace the filter.

NOTE

- Filter Status Notification appears based on the maximum usage time, taking into account the operating hours of the product. Replacement frequency is determined by the operating hours and the environment.
- Once you have replaced the filter, reset the Filter Status Notification.
 - The Filter Status Notification can be reset through the additional Filter Status Notification reset function.
- When the Filter Status Notification is displayed in red, a 0% icon is also displayed.

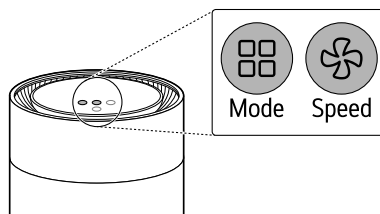
Replacing the Filters

- 1 Separate the cover from the product and replace the filter.
 - To avoid polluting the surroundings when replacing the filter, place a newspaper on the floor before you remove the filter.
- 2 Once you have replaced the filter, disable the Filter Status Notification.
 - When the Filter Status Notification is reset, the color of the Filter Status Notification changes to green.

Reset the Filter Status Notification

Press and hold the **Mode** and **Speed** buttons on the control panel for 3 seconds.

- Filter Status Notification on the status panel is reset and the time for Filter Status Notification is initialized.

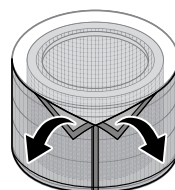


NOTE

- Use when replacing with a new filter.

Replacing the Pre-Filter

Check the Velcro of the pre-filter and replace the pre-filter by separating it slowly.

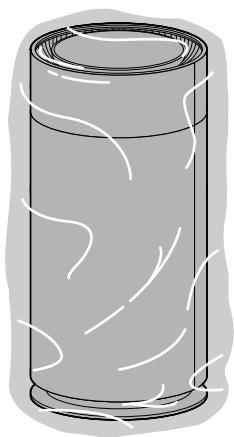


Storage

If the appliance is not used for a long period of time, store it at a shaded and dry place.

- 1 Operate the product for one hour or more on a fine day.
 - This removes moisture and prevents molds from building-up inside the product.
- 2 Turn off the product, separate the plug from the outlet, and then separate the adapter.
 - Separate the adapter from the product and store it.
- 3 Package the appliance to prevent the dust or foreign substance from entering the appliance.

Store the packaged appliance at a shaded place.



⚠ CAUTION

- Do not store the appliance at a humid place or at a place exposed to the direct sunlight.

Otherwise the appliance may be deformed, malfunction or generate odor.

TROUBLESHOOTING

Before Calling for Service

Please check the following before calling for service. If the problem persists, contact your local service center.

Operation

Symptoms	Possible Cause & Solution
The product does not power on.	Is the power plug disconnected? <ul style="list-style-type: none"> • Connect it to an outlet correctly.
	Did the electricity get cut off? <ul style="list-style-type: none"> • Check the power to other products in the house.
A noise occurs and the fan speed is low.	Has dust accumulated in the pre-filter? <ul style="list-style-type: none"> • Clean the pre-filter.
	Has dust accumulated in the filter? <ul style="list-style-type: none"> • Replace the filter.
Air purification is not done properly.	Is the indoor pollution severe? <ul style="list-style-type: none"> • Ventilate indoors before using the product.
	Has dust accumulated in the pre-filter? <ul style="list-style-type: none"> • Clean the pre-filter.
	Has dust accumulated in the filter? <ul style="list-style-type: none"> • Replace the filter.
	Are you using it in a place that is too spacious or too open? <ul style="list-style-type: none"> • Use a product that suits the size of the room. • Avoid well-ventilated places such as doors, windows, etc.
	Is there an obstacle nearby? <ul style="list-style-type: none"> • Remove any nearby obstacles before operating the product.
	Is the product installed in a corner? <ul style="list-style-type: none"> • Move the product and reinstall it.
The overall air quality stays red.	Move the appliance to a different room and see if the color changes. <ul style="list-style-type: none"> • Clean the PM1.0 sensor. • Remove the power plug from the outlet and reconnect it one minute later.
	A substance was sprayed near the product. <ul style="list-style-type: none"> • Do not use sprays near the product.

Symptoms	Possible Cause & Solution
The buttons on the control panel do not work.	<p>Is the lock icon displayed on the status panel?</p> <ul style="list-style-type: none"> Press and hold the Lock button for 3 seconds to disable the lock function.
The color of the filter status notification does not change to green.	<p>Is the color of the filter status notification orange or red?</p> <ul style="list-style-type: none"> The filter status notification can be reset through the additional filter status notification reset function. <ul style="list-style-type: none"> Press and hold the Mode and Speed buttons on the control panel for 3 seconds.

Odor

Symptoms	Possible Cause & Solution
A strange odor comes out from the air outlet as well as the filter.	<p>Appliance is new.</p> <ul style="list-style-type: none"> The odor of activated charcoal is not harmful. This is similar to the odor you may experience in a brand new car. The odor should dissipate after 1-2 weeks of use.
	<p>The appliance is located in an area with a lot of smoke or odors.</p> <ul style="list-style-type: none"> In areas with a lot of smoke or odors, the lifespan of the filters may be greatly decreased. For best results, ventilate the room first, then use the appliance.
	<p>The odor is coming from the filter.</p> <ul style="list-style-type: none"> Replace the filter. The filter replacement frequency may differ depending on the usage environment.
	<p>The appliance is located in an area with a lot of strong odors.</p> <ul style="list-style-type: none"> If the appliance is used near where you cook or broil fish or meat, the lifespan of the filters will be greatly decreased. For best results, ventilate the area first by opening a window or using a vent hood. Use the appliance only to minimize odors left after ventilating the area.

LG ThinQ

Symptoms	Possible Cause & Solution
The product and the smartphone cannot be connected through Wi-Fi.	<p>Is the Wi-Fi password used to connect to the smartphone correct?</p> <ul style="list-style-type: none"> Press the Settings button on your smartphone, and then find your Wi-Fi in the network list. Press and hold the button to select [Clear Network], and then proceed with product registration again from the beginning.

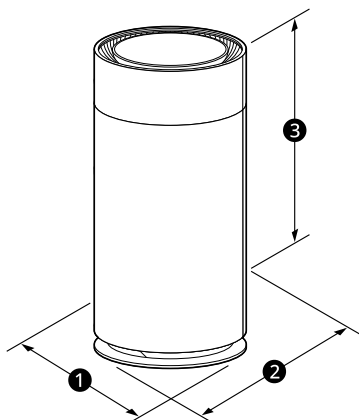
Symptoms	Possible Cause & Solution
<p>The product and the smartphone cannot be connected through Wi-Fi.</p>	<p>Is your smartphone using mobile data rather than Wi-Fi?</p> <ul style="list-style-type: none"> • In the smartphone's settings, turn off Mobile Data, turn on Wi-Fi, and then register the product.
	<p>Does the name (ID) of the wireless router contain special characters?</p> <ul style="list-style-type: none"> • Set the name (ID) of the wireless router as a combination of numbers and English letters. Wi-Fi connection may be difficult if you enter special characters.
	<p>Is the frequency of the wireless router not 2,4 GHz?</p> <ul style="list-style-type: none"> • When connecting the product via Wi-Fi, only a 2,4 GHz network can be used. Set the wireless router to 2,4 GHz and then connect. To check the frequency of your wireless router, contact your Internet carrier or router manufacturer.
	<p>Are the product and the wireless router too far apart?</p> <ul style="list-style-type: none"> • If the distance between the product and the wireless router is too great, the wireless signal may be weak, and the connection may not be smooth. Move the wireless router closer to the product.

APPENDIX

Information

APPLIANCE SPECIFICATIONS

- Appearance and specifications may vary without notice to improve the quality of the appliance.



Name	AS35GGW10
Power	DC 24 V
Exterior Dimensions (1 x 2 x 3)	240 mm x 240 mm x 500 mm

AC/DC Adapter	
Manufacturer	FOSHAN SHUNDE GUANYUDA POWER SUPPLY CO.,LTD.
Model	GM51-240200-3A
Rated Input	AC 100 V - 240 V ~, 50/60 Hz
Rated Output	DC 24 V, 2.0 A, 48 W



Escanee el código QR para ver el manual.



MANUAL DEL PROPIETARIO

PURIFICADOR DE AIRE



Antes de empezar la instalación, lea con atención estas instrucciones. Con ello, la instalación le resultará más sencilla y se asegurará de que el aparato quede instalado de forma correcta y segura. Guarde estas instrucciones cerca del aparato después de la instalación para poder consultarlas en el futuro.

ESPAÑOL

AS35GGW10

www.lg.com

Copyright © 2017-2025 LG Electronics. Todos los derechos reservados

ÍNDICE

Este manual puede contener imágenes o contenido diferente del modelo que haya adquirido.

Este manual está sujeto a revisión por parte del fabricante.

INSTRUCCIONES DE SEGURIDAD

LEA Y GUARDE ESTAS INSTRUCCIONES.....	3
INSTRUCCIONES DE ADVERTENCIA	3
INSTRUCCIONES DE PRECAUCIÓN	7

FUNCIONAMIENTO

Descripción general del producto	9
Preparación antes del uso	11
Características	14
Funcionamiento del purificador de aire.....	16
Uso de las funciones extra.....	17
Calidad general del aire	18

FUNCIONES INTELIGENTES

Aplicación LG ThinQ.....	19
Smart Diagnosis	20

MANTENIMIENTO

Mantenimiento del producto	21
----------------------------------	----

RESOLUCIÓN DE PROBLEMAS

Antes de llamar al servicio técnico.....	26
--	----

APÉNDICE

Información	29
-------------------	----

INSTRUCCIONES DE SEGURIDAD

LEA Y GUARDE ESTAS INSTRUCCIONES

Las siguientes directrices de seguridad tienen por objeto evitar riesgos imprevistos o daños derivados de un funcionamiento inseguro o incorrecto del aparato.

Las directrices se dividen en 'ADVERTENCIA' y 'PRECAUCIÓN', tal como se describe a continuación.

Mensajes de seguridad



Este símbolo se muestra para indicar asuntos y operaciones que pueden causar riesgos.

Lea atentamente la parte con este símbolo y siga las instrucciones para evitar riesgos.



ADVERTENCIA

Indica que el incumplimiento de las instrucciones puede causar lesiones graves o la muerte.



PRECAUCIÓN

Indica que el incumplimiento de las instrucciones puede causar lesiones leves o daños en el producto.

INSTRUCCIONES DE ADVERTENCIA



ADVERTENCIA

- Para reducir el riesgo de explosión, incendio, muerte, descarga eléctrica, lesiones o quemaduras a las personas al utilizar este producto, siga las precauciones básicas, incluyendo las siguientes:

Seguridad técnica

- Este aparato no está diseñado para ser utilizado por personas (incluidos niños) con capacidades físicas, sensoriales o mentales reducidas o con falta de experiencia y conocimientos, a menos que hayan recibido supervisión o instrucciones sobre el uso del aparato

por parte de una persona responsable de su seguridad. Los niños deben ser vigilados para evitar que jueguen con el aparato.

- El ventilador no es un juguete. No juegue con él ni lo coloque al alcance de los niños.
- Si el cable de alimentación está dañado, debe ser sustituido por el fabricante, su agente de servicio o una persona con cualificación similar para evitar riesgos.
- Sólo un técnico autorizado debe desmontar, reparar o modificar el aparato.
- No toque el enchufe con las manos mojadas.
- No coloque el cable de alimentación debajo de alfombras, moquetas o felpudos.
- No instale ni utilice piezas rotas.
- No siga utilizando el producto si está visiblemente dañado.
- El aparato solo debe utilizarse con la unidad de suministro eléctrico proporcionada con el aparato.
 - De lo contrario, el suministro eléctrico proporcionado podría provocar un desempeño reducido o un fallo del producto, y podría resultar en peligros de seguridad.
- Solo debe suministrar un voltaje extra bajo de seguridad al aparato correspondiente a la indicación que aparece en el aparato.
- Tenga cuidado de no someter el cable de alimentación y el adaptador a ningún golpe.
- El enchufe macho de conexión, debe ser conectado solamente a un enchufe hembra de las mismas características técnicas del enchufe macho en materia.

Instalación

- No instale el aparato sobre una superficie desnivelada o inclinada.
- No instale el aparato en una zona expuesta a la luz solar directa o cerca de equipos que generen calor.
- No instale el producto en un lugar donde pueda haber fugas de gas combustible o donde haya aceite industrial o partículas metálicas.

- No empuje el aparato contra el cable de alimentación o el enchufe.
- No doble excesivamente el cable de alimentación ni coloque un objeto pesado sobre él.
- No prolongue la longitud del cable de alimentación ni lo modifique.
- No utilice varios aparatos en una toma alargadora de varias clavijas.
- Realice la conexión de forma segura para que los terminales atornillados no puedan soltarse al tirar del cable.
- Asegúrese de que el cable de alimentación no pueda salirse o dañarse durante el funcionamiento.
- Cuando desenchufe el cable de alimentación, jale siempre de él por el enchufe.
- Desenchufe el aparato durante tormentas eléctricas o cuando no vaya a utilizarlo durante un periodo prolongado.

Funcionamiento

- Si el aparato se sumerge en agua, deje de utilizarlo y contacte a un Centro de Información al Cliente de LG Electronics.
- Si hay una fuga de gas (isobutano, propano, GNL, etc.), no toque el aparato ni el enchufe y ventile el área inmediatamente.
- Si detecta algún ruido, olor o humo anormal, desenchufe el aparato inmediatamente y contacte a un Centro de Información al Cliente de LG Electronics.
- No limpie el aparato con cepillos, paños o esponjas abrasivos o metálicos.
- No utilice ni almacene fuego, combustibles (éter, benceno, alcohol, drogas, propano, butano, aerosoles combustibles, insecticida, ambientador, cosméticos, etc.) o materiales inflamables (velas, lámparas, etc.) cerca del producto.
- No permita que animales o mascotas muerdan el cable de alimentación.
- No mueva el aparato cuando esté en funcionamiento.
- No golpee el aparato.

- No introduzca las manos ni objetos metálicos en la entrada o salida de aire.
- No introduzca objetos inflamables en el aparato.
- No mueva ni haga funcionar el aparato mientras tiene la tapa abierta.
- No permita que los niños se suban al aparato o jueguen con él.
- No coloque nada encima del aparato.
- Si un electrodoméstico está visiblemente dañado, no lo permita trabajar.

Mantenimiento

- Deseche los materiales de empaque (vinilo, espuma de poliestireno, etc.) para mantenerlos fuera del alcance de los niños.
- Tenga cuidado de no lesionarse ni pellizcarse al desmontar y volver a montar piezas del aparato.
- Apague y desenchufe el aparato antes de limpiarlo o cambiar el filtro.

INSTRUCCIONES DE PRECAUCIÓN

PRECAUCIÓN

- Para reducir el riesgo de lesiones leves a las personas, mal funcionamiento o daños al producto o a la propiedad al utilizar este producto, siga las precauciones básicas, incluyendo las siguientes:

Instalación

- No incline el aparato para jalar de él o empujarlo durante el transporte.
- No instale el aparato en un vehículo, vehículo recreativo tipo RV o embarcación.
- No coloque el aparato cerca de un TV o equipo estéreo.
- No coloque el aparato bajo una luz intensa.
- El aparato debe instalarse de acuerdo con las regulaciones nacionales sobre cableado.
- Cuando traslade o guarde el aparato, enrolle el cable de alimentación alrededor de la base del aparato para evitar lesiones personales, daños en el cable o daños en el piso.
- No coloque el aparato cerca de cortinas.
- Inserte el adaptador hasta el fondo del terminal de conexión del adaptador, y evite moverlo mientras esté conectado.

Funcionamiento

- No utilice el producto para eliminar gases tóxicos como el monóxido de carbono.
- No utilice el producto para fines de ventilación.
- No utilice el aparato durante mucho tiempo en una región con voltaje inestable.
- No coloque obstáculos alrededor de la entrada o salida de aire.
- Para un uso seguro del aparato, los niños u otras personas con capacidades mentales reducidas deben ser vigilados de cerca por una persona responsable de su seguridad.

- No utilice el producto para fines especiales como la conservación de plantas, instrumentos de precisión, obras de arte, etc.
- No utilice el aparato con las manos mojadas.
- No deje que la humedad de un humidificador toque directamente el aparato.
- No utilice el aparato si no está en posición vertical.
- No utilice el aparato cerca de objetos vulnerables al calor.
- No utilice detergentes, cosméticos, productos químicos, ambientadores ni desinfectantes en el aparato.
- No toque ninguna pieza interna mientras el aparato esté en funcionamiento o inmediatamente luego del funcionamiento.
- Utilice el filtro sólo para los fines previstos.
- No fuerce la separación de los filtros, ya que los filtros están fijos.
- No inserte ningún objeto en la salida de aire.

Mantenimiento

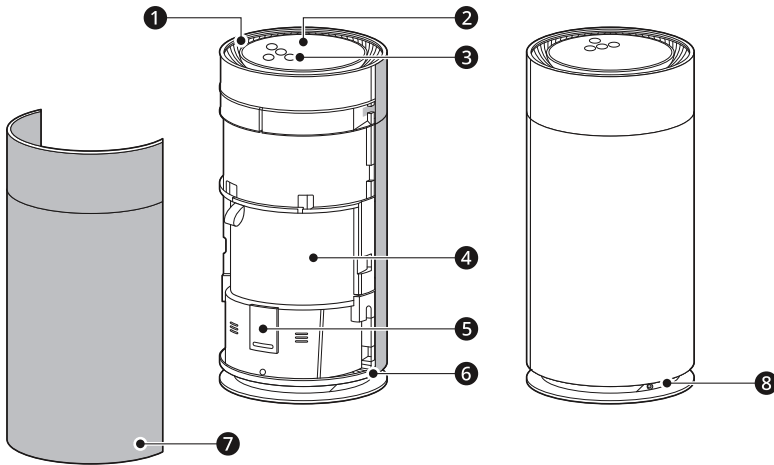
- No utilice detergentes fuertes ni disolventes para limpiar el aparato. Utilice un paño suave para limpiarlo.
- No limpie el aparato un detergente alcalino.
- No limpie la superficie del aparato con ácido sulfúrico, ácido clorhídrico o disolventes orgánicos (diluyente, queroseno, etc.) ni pegue pegatinas en el aparato.
- No permita que entre agua en el aparato.
- No lave el filtro con agua.
- Tenga cuidado de no dañar el prefiltro cuando lo limpie con una aspiradora.

FUNCIONAMIENTO

- El exterior de los componentes del producto podría variar dependiendo del modelo.

Descripción general del producto

Purificador de aire



1 Salida de aire

- Se emite aire purificado del filtro.

2 Panel de estado

- Usar para verificar los ajustes del aparato y la calidad del aire.

3 Panel de control

- Úselo para ajustar funciones del aparato.

4 Filtro

- Elimina partículas finas, materiales que provocan smog, los propios del síndrome del edificio enfermo y los olores domésticos.

5 Sensor PM1.0

- Detecta el nivel de la concentración de partículas (PM).

6 Manija

- Úsela para transportar y mover el producto.

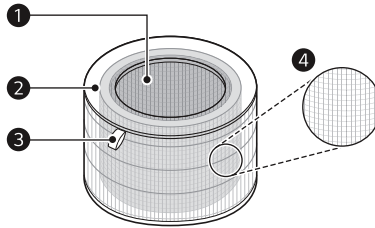
7 Entrada de aire (Tapa)

- El aire se aspira en el purificador de aire a través de la entrada de aire.
- Le permite desmontar las cubiertas frontales y traseras por separado.

8 Terminal de conexión del adaptador

- El adaptador se puede separar.

Filtro



1 Filtro desodorante

- Minimiza los materiales que provocan smog (SO_2 , NO_2), así como los materiales del síndrome del edificio enfermo (tolueno, formaldehído), los olores domésticos y compuestos de azufre.

2 Filtro extra seguridad

- Minimiza PM1.0, materiales alérgenos, bacterias y virus del aire.

3 Manija del filtro

- Le permite separar el filtro del producto.

4 Prefiltro

- Minimiza partículas grandes que flotan en el aire.

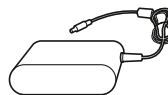
⚠ PRECAUCIÓN

- No fuerce la separación de los filtros, ya que los filtros están fijos.
 - No tire los filtros ni los use para otros propósitos.
-

Componentes



1



2

1 Guía rápida

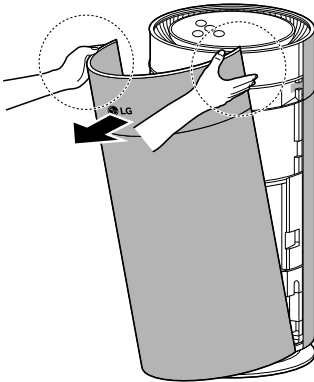
2 Adaptador

Preparación antes del uso

Eliminación del vinilo protector del filtro

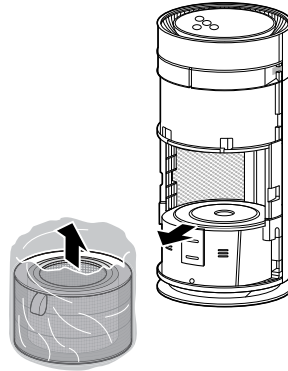
Desempaque el aparato y retire toda la cinta de empaque y el vinilo del filtro previo a utilizar el aparato.

- 1 Saque el producto fuera de la caja y retire el vinilo o la cinta adhesiva adheridos al producto.
- 2 Sostenga el extremo superior de la tapa frontal del producto con el **logo LG** y tire de él ligeramente para lograr la separación.

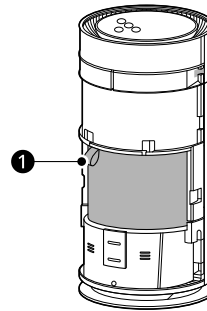


- 3 Retire el filtro y deseche el vinilo.

- Al retirar el filtro empacado, sepárelo del vinilo protector.



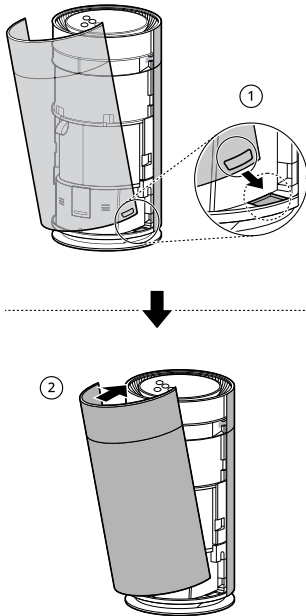
- 4 Instale el filtro en el producto.
 - Asegúrese de que el lado con la manija del filtro (1) está hacia arriba.



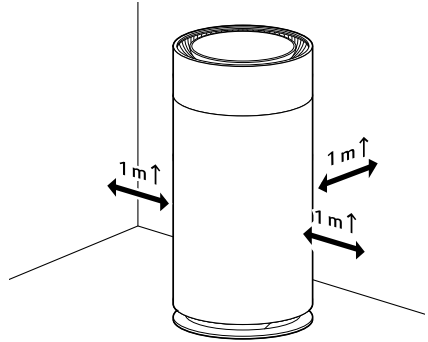
- 5 Para instalar la tapa de nuevo, inserte la parte adhesiva de la parte inferior de la tapa en la

12 FUNCIONAMIENTO

ranura fijada de la parte inferior del producto y, luego, ciérrela.



- Si no hay espacio suficiente para la aspiración de aire, el desempeño de purificación del aire pueda degradarse.



- El desempeño del aparato podría variar dependiendo del entorno de servicio (temperatura, humedad, etc.).
 - El aparato puede proporcionar el desempeño garantizado en un entorno con una humedad de entre 40 % y 70 %.
- No instale el producto en un lugar expuesto a la luz solar directa o cerca de dispositivos de iluminación con luz intensa.
 - Esto podría provocar que el producto se decolore.

⚠ PRECAUCIÓN

- Asegúrese de retirar el vinilo protector del filtro antes de utilizar el producto.
- Preste atención a la dirección del filtro al instalarlo. De lo contrario, el producto podría funcionar incorrectamente y averiarse.

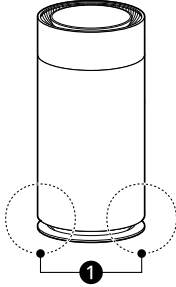
Requisitos de ubicación para la instalación

Instale el producto al menos a 1 m de las paredes.

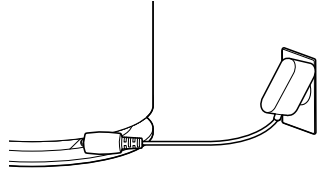
Requisitos de transporte

- Al mover o almacenar el producto, separe el enchufe del tomacorriente y, posteriormente, separe el adaptador para que no se arrastre por el piso.
 - De lo contrario, podría dañar el adaptador o arañar el piso.

- Transporte el producto de forma segura sosteniendo la manija (1) situada en la parte interior del producto con ambas manos.



- 2 Conecte el enchufe de alimentación del adaptador al tomacorriente.



NOTA

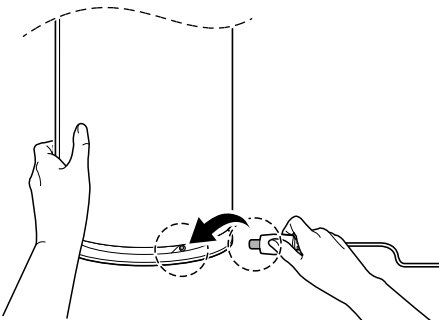
- Sostenga el producto y conecte o desconecte el adaptador horizontalmente.
- Conecte el adaptador hasta el final y no lo mueva después de haberlo conectado. (Si lo hace podría provocar daños).
- Tenga cuidado de no aplicar ningún impacto al adaptador. De lo contrario, podría provocar daños.

⚠ PRECAUCIÓN

- No desplace el producto sosteniéndolo por la tapa exterior.
 - De lo contrario, podría provocar que se abra la tapa y que se caiga el producto. Si deja caer el aparato podría provocar lesiones personales o averías en el producto.

Conecte la alimentación

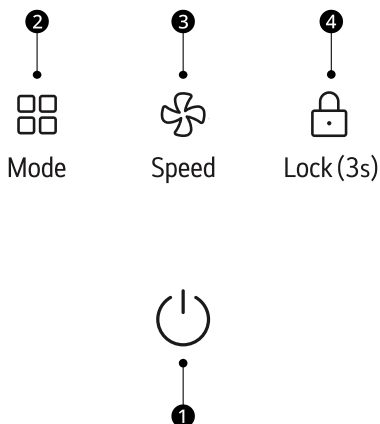
- 1 Conecte el adaptador al terminal de conexión del adaptador de la parte posterior del producto.



Características

Control del purificador de aire

Panel de control



1 Botón Inicio/Apagado

Enciende y apaga el producto.

- Para preparar el producto para conectarse al Wi-Fi a través de la aplicación **LG ThinQ**, mantenga pulsado el botón durante 3 segundos o más.

2 Botón Mode

Úselo para ajustar el modo.

3 Botón Speed

Úselo para ajustar la velocidad del ventilador del purificador de aire.

4 Botón Lock

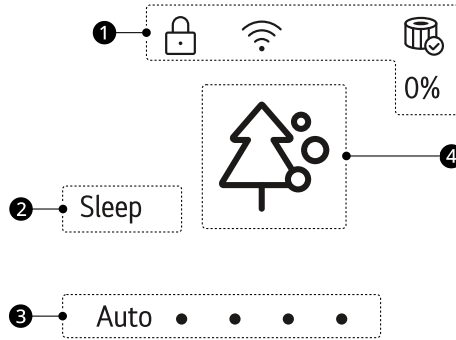
Puede bloquear o desbloquear el panel de control manteniendo presionado el botón durante 3 segundos.

NOTA

- Puede utilizar funciones adicionales presionando los botones del panel de control durante 3 segundos.

Pulsación larga (más de 3 segundos)	Funciones extra
	Restablecimiento de la notificación del estado del filtro

Panel de estado



1 Pantalla de extensiones

Ícono	Descripción
	Se enciende cuando la función bloqueo se activa.
	Se enciende cuando la función Wi-Fi se activa.
	El color indica la vida útil del filtro. Para obtener información detallada, consulte Reemplazo de los filtros .

2 Visualización del modo de funcionamiento

Indica el modo que está en funcionamiento actualmente.

3 Visualización de velocidad

Muestra la velocidad del ventilador del purificador de aire.

Velocidad	Pantalla	Descripción
Auto	Auto ● ● ● ●	El LED cambia según la calidad general del aire.
Bajo	●	1 LED ENCENDIDO
Medio	● ●	2 LED ENCENDIDO
Alto	● ● ●	3 LED ENCENDIDO
Turbo	● ● ● ●	4 LED ENCENDIDO

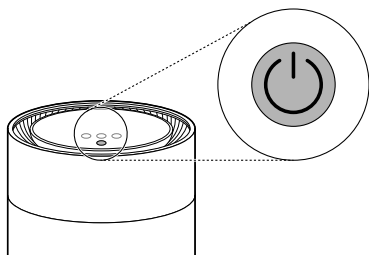
4 Calidad general del aire (Color)

La calidad general del aire se indica según el color. → Consulte **Calidad general del aire** para obtener información detallada sobre los colores.

Funcionamiento del purificador de aire

Inicio/Parada

Presione el botón **Inicio/Apagado** para encender o apagar el purificador de aire.



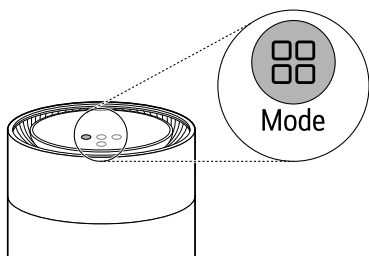
NOTA

- Cuando el funcionamiento se inicia por primera vez, el aparato funciona en el modo **Purificar**.
- El modo usado más recientemente se memoriza si el suministro de energía se corta como resultado de una falla de alimentación.
- Cuando comienza el funcionamiento, tomará cerca de 30 segundos para mostrarse la calidad general del aire en el panel de estado.

Modo de funcionamiento

Cada vez que presione el botón **Mode**, el modo cambia en el siguiente orden

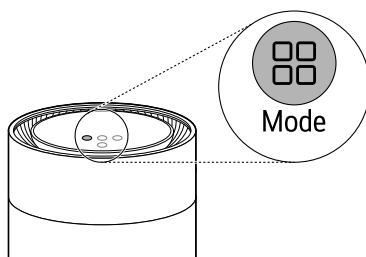
: **Purificar** → **Sleep**.



Uso del modo Purificar

El purificador de aire purifica el aire interior. Presione el botón **Mode** para elegir el modo **Purificar**.

- Cada vez que presione el botón, el modo de funcionamiento cambia en el siguiente orden: **Purificar** → **Sleep**.



NOTA

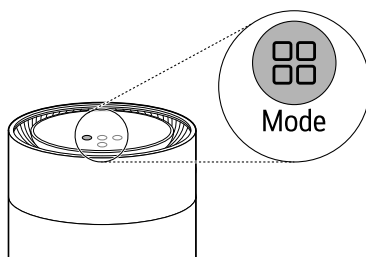
- El modo **Purificar** no se muestra en el panel de estado.

Uso del modo Sueño

Puede utilizar el purificador de aire en un entorno silencioso cuando se vaya a dormir.

Presione el botón **Mode** para elegir el modo **Sleep**.

- Cada vez que presione el botón, el modo de funcionamiento cambia en el siguiente orden: **Purificar** → **Sleep**.



NOTA

- Toda la pantalla se apaga excepto la pantalla del modo **Sleep**.
- No puede ajustar el tiempo de funcionamiento en el modo **Sleep** separadamente. Para cancelar el modo **Sleep**, presione el botón **Mode** de la misma manera que para ajustarlo.

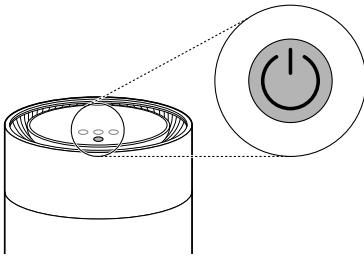
NOTA

- Cuando el funcionamiento se inicia por primera vez, funcionará en **Auto** como la velocidad del ventilador. El **Auto** ajusta la velocidad automáticamente de acuerdo con el nivel de calidad del aire interior.

Ajuste de la velocidad del ventilador

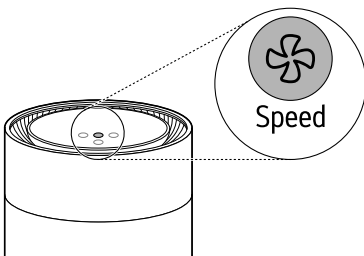
Puede ajustar la velocidad del ventilador del purificador de aire.

- 1 Presione el botón **Inicio/Apagado** para encender el producto.



- 2 Para ajustar la velocidad del ventilador, presione el botón **Speed**.

- Cuando presiona el botón durante el funcionamiento del producto, la velocidad del ventilador cambia en el orden de **Auto** → **Baja** → **Media** → **Alta** → **Turbo**.



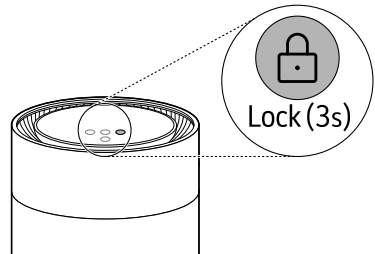
Uso de las funciones extra

Bloqueo del panel de control

Puede bloquear los botones del panel de control para prevenir que el aparato sea hecho funcionar debido a motivos imprevistos, como un niño manipulando los botones.

Presione el botón **Lock** por 3 segundos o más.

- El ícono del candado se muestra en el panel de visualización cuando se establece la función Bloqueo.



NOTA

- Puede desactivar la función bloqueo de la misma manera que para activarlo.
- También puede bloquear o desbloquear cuando el funcionamiento se haya detenido.

Calidad general del aire

Descripción general de la calidad del aire

La calidad general del aire se calcula en base a la concentración de partículas y se categoriza en 4 niveles en base al nivel de contaminación del aire. (Verde, amarillo, naranja y rojo)

Color	Calidad general del aire	Concentración de PM ($\mu\text{g}/\text{m}^3$)		
	Estado	PM10	PM2.5	PM1.0
Rojo	Pobre	255 o más	56 o más	56 o más
Naranja	Insalubre	155 ~ 254	36 ~ 55	36 ~ 55
Amarillo	Moderada	55 ~ 154	13 ~ 35	13 ~ 35
Verde	Buena	54 o menos	12 o menos	12 o menos

NOTA

- La calidad general del aire puede verse por el color del indicador de calidad del aire y el texto que indica la concentración de polvo.
- El color del indicador general de calidad del aire se determina en función de la concentración de partículas (PM).
- Los valores de concentración de PM se basan en la hoja de datos proporcionada por el fabricante del sensor.
- La medición de la concentración de PM se ha probado utilizando los materiales de prueba estándar de LG Electronics.

FUNCIONES INTELIGENTES

Aplicación LG ThinQ

La aplicación **LG ThinQ** permite comunicarse con el aparato mediante un teléfono inteligente.

Características de la aplicación LG ThinQ

Smart Diagnosis

Si se encuentra con un problema relacionado con el uso del aparato, esta funcionalidad de **Smart Diagnosis** le ayudará a diagnosticar el problema.

Ajustes

Le permite ajustar varias opciones en el aparato y en la aplicación.

NOTA

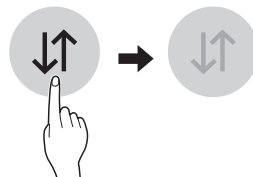
- En los siguientes casos, debe actualizar la información de red para cada aparato de la aplicación **LG ThinQ** debajo de **Tarjetas del dispositivo** → **Ajustes** → **Cambiar red**.
 - enrutador inalámbrico cambiado
 - contraseña de enrutador inalámbrico cambiada
 - proveedor de servicios de internet cambiado
- La aplicación está sujeta a cambios para propósitos de mejoras del aparato sin previo aviso a los usuarios.
- Las funciones podrían variar según el modelo.

Previo al uso de la aplicación LG ThinQ

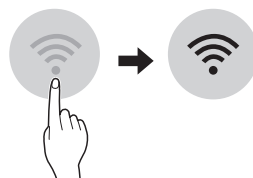
Esta función sólo está disponible en los modelos con función Wi-Fi.

- 1 Verifique la distancia entre el aparato y el enrutador inalámbrico (red Wi-Fi).
 - Si la distancia entre el aparato y el enrutador inalámbrico es demasiado grande, la intensidad de la señal será débil. La conexión puede tomar mucho tiempo o la instalación puede fallar.

- 2 Desactive los datos móviles o los datos celulares en su teléfono inteligente.



- 3 Conecte el teléfono inteligente al enrutador inalámbrico.



NOTA

- Para verificar la conexión Wi-Fi, cheque que el icono Wi-Fi del panel de estado esté encendido.
- **El aparato sólo es compatible con redes Wi-Fi de 2,4 GHz.** Para verificar la frecuencia de su red, contacte a su proveedor de servicios de Internet o consulte el manual del enrutador inalámbrico.
- **LG ThinQ** no se hace responsable de los problemas de conexión a la red ni de los fallos, mal funcionamiento o errores causados por la conexión a la red.
- Si el aparato tiene problemas para conectarse a la red Wi-Fi, es posible que esté demasiado lejos del router. Adquiera un repetidor Wi-Fi (extensor de alcance) para mejorar la intensidad de la señal Wi-Fi.
- Es posible que la conexión Wi-Fi no se conecte o se interrumpa debido al entorno de la red doméstica.
- Es posible que la conexión de red no funcione correctamente en función del proveedor de servicios de Internet.

NOTA

- El entorno inalámbrico circundante puede hacer que el servicio de red inalámbrica funcione lentamente.
- Si el aparato no puede conectarse debido a problemas con la transmisión de la señal inalámbrica, desenchúfelo y espere aproximadamente un minuto previo a volver a intentarlo.
- Si el cortafuegos del enrutador inalámbrico está activado, desactívelo o añádale una excepción.
- El nombre de la red inalámbrica (SSID) debe ser una combinación de letras y números en alfabeto latino. (No utilice caracteres especiales).
- La interfaz de usuario (UI) del teléfono inteligente podría variar en función del sistema operativo móvil (SO) y del fabricante.
- Si el protocolo de seguridad del enrutador está configurado como WEP, la configuración de la red puede fallar. Cambie el protocolo de seguridad (se recomienda WPA2) y vuelva a conectar el producto.

Instalación de la aplicación LG ThinQ

Busque la aplicación **LG ThinQ** en la Google Play Store o Apple App Store en un teléfono inteligente. Siga las instrucciones para descargar e instalar la aplicación.

Software de Código Abierto

Para obtener el código fuente bajo GPL, LGPL, MPL y otras licencias de código abierto que tienen la obligación de divulgar el código fuente, que está contenido en este producto, y para acceder a todos los términos de la licencia, avisos sobre derechos de autor y otros documentos relevantes, favor de visitar <https://opensource.lge.com>.

LG Electronics también le proporcionará el código abierto en un CD-ROM por un costo que cubra los gastos de dicha distribución (como el costo del medio, del envío y de la manipulación) una vez

realizado el pedido por correo electrónico a la dirección opensource@lge.com.

Esta oferta es válida para cualquier persona que reciba esta información por un período de tres años luego de nuestro último envío de este producto.

Smart Diagnosis

Utilice esta función para poder diagnosticar y resolver problemas con su aparato.

NOTA

- Por razones no atribuibles a la negligencia de LGE, es posible que el servicio no funcione debido a factores externos como, entre otros, la falta de disponibilidad de Wi-Fi, la desconexión de Wi-Fi, la política de la tienda de aplicaciones local o la falta de disponibilidad de la aplicación.
- La característica puede estar sujeta a cambios sin previo aviso y puede tener una forma diferente dependiendo de dónde se encuentre.

Uso de LG ThinQ para diagnosticar problemas

Si su aparato equipado con Wi-Fi tiene algún problema, puede transmitir datos de resolución de problemas a un teléfono inteligente usando la aplicación **LG ThinQ**.

- Lance la aplicación **LG ThinQ** y seleccione la función **Smart Diagnosis** en el menú. Siga las instrucciones proporcionadas en la aplicación **LG ThinQ**.


MANTENIMIENTO

Mantenimiento del producto

Mantenimiento programado

⚠ ADVERTENCIA

- Asegúrese de detener el funcionamiento del aparato y desenchufar el cable de alimentación del tomacorriente previo a limpiar y reemplazar el filtro.
- No pulverice agua directamente sobre el aparato.

Componente	Frecuencia de limpieza	Frecuencia de reemplazo
 <p>Filtro</p>	<p>Prefiltro Limpie el filtro según sea necesario</p>	<p>1 año</p>

NOTA

- La frecuencia de limpieza puede variar en función de las horas de funcionamiento y del entorno del aparato.
- Si no limpia el producto de acuerdo con la frecuencia de limpieza, podría notar malos olores y un desempeño deficiente.
- El filtro debe ser sustituido al final de su vida útil, y el costo de los filtros de repuesto no está cubierto por la garantía. Para adquirir filtros nuevos, contacte a un Centro de Información al Cliente de LG Electronics o visite el sitio web www.lg.com
- Si la calidad general del aire no cambia en la pantalla durante un largo periodo de tiempo, limpie el sensor de PM1.0., incluso si no está programada su limpieza.

Limpeza del exterior

- 1 Elimine todo el polvo de la entrada y salida de aire usando una aspiradora.
- 2 Limpie la salida de aire y el exterior del producto con un paño suave.

⚠ PRECAUCIÓN

- No limpie el aparato con un detergente alcalino.
- No utilice nunca ácido sulfúrico, ácido clorhídrico ni disolventes orgánicos (p. ej., diluyente, queroseno y acetona) para limpiar el exterior del aparato, ni pegue etiquetas en el exterior. Si lo hiciera podría dañar la superficie del producto.
- Tenga cuidado para evitar que el agua fluya al interior del producto.

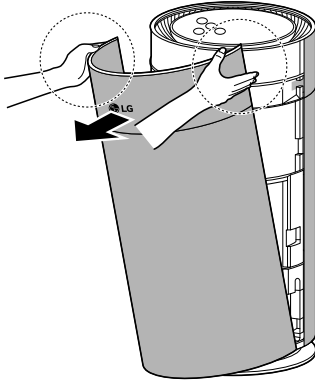
NOTA

- Si no se puede eliminar el polvo de las cubiertas delantera y trasera, desmonte las cubiertas y límpielas con agua. Luego de limpiarlas, séquelas bien a la sombra.

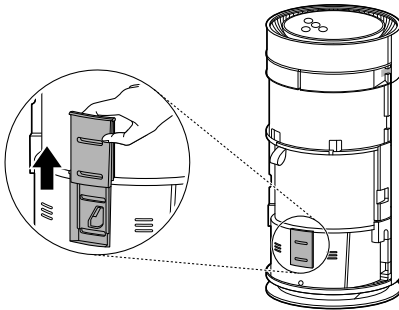
Limpeza del sensor de partículas

El sensor PM1.0 es el dispositivo que detecta niveles de contaminación por polvo fino o polvo grande, por lo que se recomienda limpiar la lente periódicamente, al menos una vez cada 2 meses.

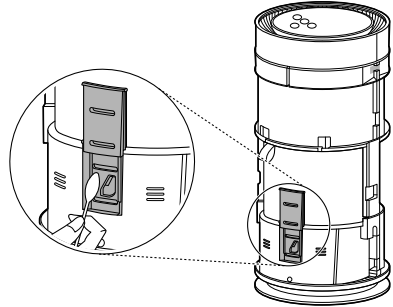
- 1 Sostenga el extremo superior de la tapa frontal del producto con el **logo LG** y tire de él ligeramente para lograr la separación.



- 2 Empuje la tapa del sensor hacia arriba.



- 3 Limpie la lente con un bastoncillo de algodón empapado en agua y límpiela de nuevo con un bastoncillo de algodón seco.



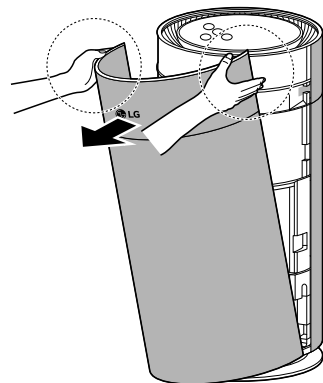
- 4 Cierre la tapa del sensor.

NOTA

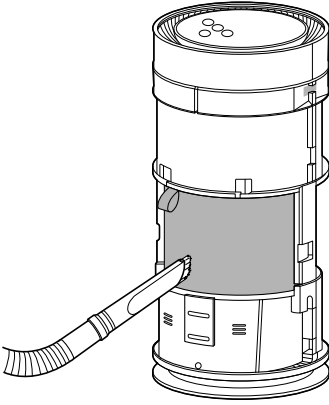
- No limpie el sensor con ninguna otra sustancia que no sea agua. De lo contrario, el aparato podría no funcionar correctamente.
- Cuando abra o cierre la tapa del sensor, podría oír un sonido como resultado de la fricción.

Limpieza de los filtros

- 1 Separe las cubiertas delantera y trasera del producto.



- 2 Con una aspiradora o un cepillo suave, elimine el polvo del prefiltro que rodea el filtro.




⚠ PRECAUCIÓN

- No limpie el filtro con agua. La vida útil del filtro podría reducirse.
- Tenga cuidado de no dañar el prefiltro cuando utilice una aspiradora.
- Tenga presente que existe riesgo de desgarro o pérdida al separar o montar el prefiltro.
- Evite que el filtro se cubra con líquidos para que no resulte dañado.

Reemplazo de los filtros

Verificación de la notificación del estado del filtro

: Notificación del estado del filtro

Color	Estado
Verde	El filtro ha sido instalado.
Naranja	Prepare el reemplazo del filtro.
Rojo	Reemplace el filtro.

NOTA

- La notificación del estado del filtro aparece en función del tiempo máximo de utilización, teniendo presente las horas de funcionamiento del producto. La frecuencia de reemplazo viene determinada por las horas de funcionamiento y el entorno.
- Una vez que ha reemplazado el filtro, restablezca la notificación del estado del filtro.
 - La notificación del estado del filtro puede ser restablecida a través de la función de restablecimiento de la notificación del estado del filtro.
- Cuando se muestra la notificación del estado del filtro en rojo, también se muestra un icono 0 %.

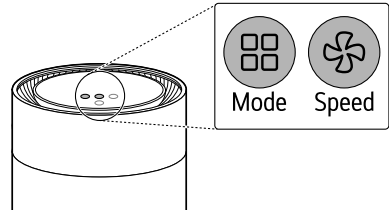
Reemplazo de los filtros

- 1 Retire la tapa del producto y reemplace el filtro.
 - Para evitar contaminar los alrededores al reemplazar el filtro, coloque papel de periódico en el piso antes de retirar el filtro.
- 2 Una vez que haya reemplazado el filtro, deshabilite la notificación del estado del filtro.
 - Cuando se restablece la notificación del estado del filtro, el color de la notificación del estado del filtro cambia a verde.

Restablecer la notificación del estado del filtro

Mantenga presionado los botones **Mode** y **Speed** en el panel de control durante 3 segundos.

- La notificación del estado del filtro del panel de estado se restablece y el tiempo para la notificación del estado del filtro se inicializa.

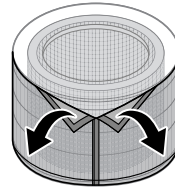


NOTA

- Úselo al reemplazar con un nuevo filtro.

Reemplazo del prefiltro

Verifique el velcro del prefiltro y reemplace el prefiltro separándolo lentamente.

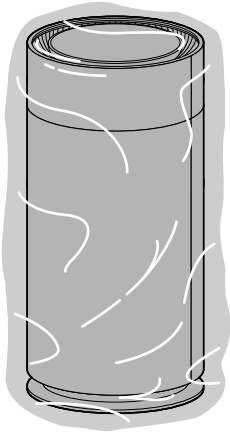


Almacenamiento

Si el aparato no se va a utilizar durante un largo periodo de tiempo, guárdelo en un lugar a la sombra y seco.

- 1 Haga funcionar el producto durante una hora o más en un buen día.
 - Esto elimina la humedad y evita que se forme moho en el interior del producto.

- 2 Apague el producto, separe el enchufe del tomacorriente y, posteriormente, separe el adaptador.
 - Separe el adaptador del producto y guárdelo.
- 3 Empaque el aparato para evitar que entre polvo o sustancias extrañas en el aparato. Guarde el aparato empacado en un lugar a la sombra.



⚠ PRECAUCIÓN

- No guarde el aparato en un lugar húmedo o en un lugar expuesto a la luz solar directa.

De lo contrario, el aparato podría deformarse, funcionar mal o generar olores.

RESOLUCIÓN DE PROBLEMAS

Antes de llamar al servicio técnico

Por favor, verifique lo siguiente antes de llamar al servicio técnico. Si el problema persiste, contacte a su centro de servicio técnico local.

Funcionamiento

Síntomas	Causa posible y solución
El producto no se enciende.	¿Está desconectado el enchufe? <ul style="list-style-type: none"> • Conéctelo a un tomacorriente correctamente.
	¿Se cortó la electricidad? <ul style="list-style-type: none"> • Revise la alimentación de otros productos del hogar.
Se produce un ruido y la velocidad del ventilador es lenta.	¿Se acumuló polvo en el prefiltro? <ul style="list-style-type: none"> • Limpie el prefiltro.
	¿Se acumuló polvo en el filtro? <ul style="list-style-type: none"> • Reemplace el filtro.
La purificación del aire no se hace correctamente.	¿La contaminación interior es grave? <ul style="list-style-type: none"> • Ventile el interior antes de utilizar el producto.
	¿Se acumuló polvo en el prefiltro? <ul style="list-style-type: none"> • Limpie el prefiltro.
	¿Se acumuló polvo en el filtro? <ul style="list-style-type: none"> • Reemplace el filtro.
	¿Lo utiliza en un lugar demasiado espacioso o demasiado abierto? <ul style="list-style-type: none"> • Utilice un producto que se adapte al tamaño de la habitación. • Evite los lugares bien ventilados, como puertas, ventanas, etc.
	¿Hay algún obstáculo cerca? <ul style="list-style-type: none"> • Retire cualquier obstáculo cercano previo a utilizar el producto.
	¿El producto está instalado en una esquina? <ul style="list-style-type: none"> • Mueva el producto y vuelva a instalarlo.
La calidad general del aire sigue en rojo.	Mueva el aparato a otra habitación y observe si el color cambia. <ul style="list-style-type: none"> • Limpie el sensor de PM1.0. • Desconecte el enchufe del tomacorriente y vuelva a conectarlo un minuto más tarde.
	Se pulverizó una sustancia cerca del producto. <ul style="list-style-type: none"> • No utilice pulverizadores cerca del producto.

Síntomas	Causa posible y solución
Los botones del panel de control no funcionan.	<p>¿Se muestra el icono de bloqueo en el panel de estado?</p> <ul style="list-style-type: none"> Mantenga pulsado el botón Lock durante 3 segundos para deshabilitar la función bloqueo.
El color de la notificación del estado del filtro no se cambia a verde.	<p>¿El color de la notificación del estado del filtro es naranja o rojo?</p> <ul style="list-style-type: none"> La notificación del estado del filtro puede ser restablecida a través de la función de restablecimiento de la notificación del estado del filtro. <ul style="list-style-type: none"> Mantenga presionado los botones Mode y Speed en el panel de control durante 3 segundos.

Olor

Síntomas	Causa posible y solución
Sale un olor extraño de la salida de aire, al igual que del filtro.	<p>El aparato es nuevo.</p> <ul style="list-style-type: none"> El olor del carbón activado no es dañino. Es similar al olor que puede notar en un vehículo nuevo. El olor se disipará pasadas 1-2 semanas de uso.
	<p>El aparato está ubicado en un área con bastante humo u olores.</p> <ul style="list-style-type: none"> En áreas con bastante humo u olores, la vida útil de los filtros podría disminuir considerablemente. Para obtener los mejores resultados, ventile la habitación primero y, posteriormente, use el aparato.
	<p>El olor sale del filtro.</p> <ul style="list-style-type: none"> Reemplace el filtro. La frecuencia de reemplazo del filtro podría diferir en función del entorno de uso.
	<p>El aparato está ubicado en un área con bastantes olores fuertes.</p> <ul style="list-style-type: none"> Si el aparato se usa cerca de donde usted cocina o asa pescado o carne, la vida útil de los filtros podría disminuir considerablemente. Para obtener los mejores resultados, ventile el área primero abriendo una ventana o usando una campana extractora. Use el aparato solamente para minimizar olores remanentes después de ventilar el área.

LG ThinQ

Síntomas	Causa posible y solución
El producto y el teléfono inteligente no pueden conectarse a través de Wi-Fi.	<p>¿Es correcta la contraseña Wi-Fi utilizada para conectarse al teléfono inteligente?</p> <ul style="list-style-type: none"> Pulse el botón Ajustes del teléfono inteligente y, a continuación, busque su Wi-Fi en la lista de redes. Mantenga pulsado el botón para seleccionar [Borrar red] y, a continuación, vuelva a realizar el registro del producto desde el principio.

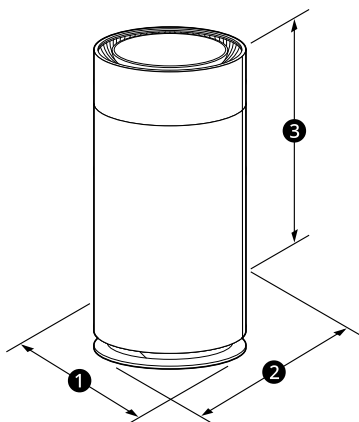
Síntomas	Causa posible y solución
El producto y el teléfono inteligente no pueden conectarse a través de Wi-Fi.	¿Su teléfono inteligente utiliza datos móviles en lugar de Wi-Fi? <ul style="list-style-type: none">• En los ajustes del teléfono inteligente, desactive los datos móviles, active la conexión Wi-Fi y, a continuación, registre el producto.
	¿El nombre (ID) del enrutador inalámbrico contiene caracteres especiales? <ul style="list-style-type: none">• Configure el nombre (ID) del enrutador inalámbrico como una combinación de números y letras inglesas. La conexión Wi-Fi puede resultar difícil si ingresa caracteres especiales.
	¿La frecuencia del enrutador inalámbrico no es de 2,4 GHz? <ul style="list-style-type: none">• Al conectar el producto mediante Wi-Fi, sólo se puede utilizar una red de 2,4 GHz. Ajuste el enrutador inalámbrico a 2,4 GHz y, a continuación, conéctese. Para verificar la frecuencia de su enrutador inalámbrico, contacte a su operador de Internet o al fabricante del enrutador.
	¿Están demasiado alejados el producto y el enrutador inalámbrico? <ul style="list-style-type: none">• Si la distancia entre el producto y el enrutador inalámbrico es demasiado grande, es posible que la señal inalámbrica sea débil y que la conexión no sea fluida. Acerque el enrutador inalámbrico al producto.

APÉNDICE

Información

ESPECIFICACIONES DEL APARATO

- La apariencia y especificaciones podrían variar sin previo aviso con el fin de mejorar la calidad del aparato.



Nombre	AS35GGW10
Energía	CC 24 V
Dimensiones exteriores (1 x 2 x 3)	240 mm x 240 mm x 500 mm

Adaptador CA/CC	
Fabricante	FOSHAN SHUNDE GUANYUDA POWER SUPPLY CO.,LTD.
Modelo	GM51-240200-3A
Entrada nominal	CA 100 V - 240 V ~, 50/60 Hz
Salida nominal	CC 24 V, 2,0 A, 48 W

