

# INSTALLATION MANUAL

# AIR CONDITIONER

Please read this installation manual completely before installing the product. Installation work must be performed in accordance with the national wiring standards by authorized personnel only. This equipment shall be provided with a supply conductor complying with the national regulation.

***BECON*** HVAC ez (AC Ez)  
PQCSZ250S0, CQCSZ250S0  
Original instructions

UK Importer : LG Electronics U.K. Ltd Velocity 2, Brooklands Drive, Weybridge, KT13 0SL  
Factory : LG Electronics Inc. Changwon 2nd factory, 84, Wanam-ro, Seongsan-gu, Changwon-si, Gyeongsangnam-do, KOREA



MFL69157016  
Rev.02\_081924

www.lg.com  
Copyright © 2018 - 2024 LG Electronics Inc. All Rights Reserved.

ENGLISH  
PORTUGUÊS  
SLOVENČINA

ITALIANO  
MAGYAR  
SLOVENŠČINA

ESPAÑOL  
БЪЛГАРСКИ  
LATVIŠU VALODA

FRANÇAIS  
SRPSKI  
LIEUVUŃ KALBA

DEUTSCH  
HRVATSKI  
GAELIGE

ΕΛΛΗΝΙΚΑ  
SVENSKA  
МАКЕДОНСКИ

ČEŠTINA  
NORSK  
SHQIP

NETERLANDS  
DANSK  
BOSANSKI

POLSKI  
EESTI KEEL  
العربية

LIBRA ROMÂNĂ  
MALTI

## SAFETY PRECAUTIONS

- This product must be installed by an installation professional from an LG authorized service center.
- Any issues stemming from an installation by an unauthorized person is the responsibility of the user and will not be covered by warranty.
- The following safety precautions are to prevent any unforeseen dangers or damage.
- This product has been designed for business use, or for areas outside the home, and has passed the Electromagnetic Interference Test.

### WARNING

It can result in serious injury or death when the directions are ignored.

### CAUTION

It can result in minor injury or product damage when the directions are ignored.

### WARNING

#### Installation

- To reinstall the product, please contact the dealer from where you purchased the product, or a service center for reinstallation service.
  - Installation of the product by an unauthorized person may result in fire, electric shock, explosion, injury, or a malfunctioning of the product.
- Do not twist or damage the power cord.
  - It may cause fire or electric shock.
- For electrical work, please contact the dealer from where you purchased the product, or a service center.
  - Disassembly or repair by an unauthorized person may result in fire or electric shock.
- Install the product in an area shielded from rain.
  - If water gets into the product, it may malfunction.
- Do not install the product in a humid area.
  - If the product is damp, it may malfunction.

- For installation of the product, please contact the dealer from where you purchased the product, or a service center.
  - Installation of the product by an unauthorized person may result in fire, electric shock, explosion, injury, or a malfunctioning of the product.
- For electrical work, please have an electrician do the work based on the installation manual and specified circuit diagram.
  - Using an unsuitable cord, or having a non-professional work on the electricals may result in fire or electrical shock.
- Do not place the product near a fire source.
  - It may result in the product catching fire.
- If the product is installed in a hospital or a communication base station, provide sufficient protective equipment against electrical noise.
  - The product may malfunction or other products may work abnormally.
- Securely install the product.
  - If the product is not secured during installation, it may fall or malfunction.
- Read the manual thoroughly to correctly install the product.
  - If not, an incorrect installation may cause fire or electric shock.
- When wiring the product, do not use a non-standard cable, nor extend the cable excessively.
  - It may cause a fire or electric shock.
- Securely install the power cord and communication cable.
  - An unsecure installation may result in a fire or electric shock.
- Do not connect the power cord to the communication terminal.
  - It may cause a fire, electric shock, or a product malfunction.
- Do not install the product in an area near combustible gas.
  - It may result in fire, electric shock, explosion, injury, or a malfunctioning of the product.
- Always ground the product.
  - There is risk of fire or electric shock.

## Use

- Do not place a heavy object on the power cord.
  - It may cause a fire or electric shock.
- Do not change or extend the power cord arbitrarily.
  - It may cause a fire or electric shock.

- Use the cord specific to the product.
  - Using an unauthorized non-standard cord may result in a fire or electric shock.
- Do not use a heat device near the power cord.
  - It may cause a fire or electric shock.
- Ensure that water never gets into the product.
  - It can result in an electric shock, or the product may malfunction.
- Do not place any container with liquid on the product.
  - The product may malfunction.
- Do not touch the product with wet hands.
  - It may cause a fire or electric shock.
- Use standard components.
  - Use of an unauthorized product may result in fire, electric shock, explosion, injury, or a malfunctioning of the product.
- If the product has been submerged in water, you should contact a service center.
  - It may cause a fire or electric shock.
- Do not shock the product.
  - The product may malfunction.
- Do not store or use any combustible gas or flammable substances near the product.
  - It may cause a fire, or a product malfunction.
- Do not disassemble, repair, or revamp the product arbitrarily.
  - It may cause a fire or electric shock.
- Children and the elderly should use the product under the supervision of a guardian.
  - Carelessness may cause an accident, or the product to malfunction.
- The guardian should prevent children from accessing the product.
  - The product may be damaged or it may fall, causing injury to children.
- Keep in mind the operating temperature range specified in the manual. If there is no operating temperature range in the manual, use the product between 0 °C ~ 40 °C (32 °F ~ 104 °F).
  - If the product is used outside this range, the product may be severely damaged.
- Do not press the switch or button with a sharp object.
  - It can result in an electric shock, or the product may malfunction.
- Do not wire the product while it is turned on.
  - It may cause a fire or electric shock.

- If the product sounds or smells different, stop using the product.
  - It may cause a fire or electric shock.
- Do not place a heavy object on the product.
  - The product may malfunction.
- Do not spray water on the product, or clean it with a water-soaked cloth.
  - It may cause a fire or electric shock.
- Do not use the product for the preservation of animals and plants, precision instruments, art pieces, or for other special purposes.
  - It may cause property damage.
- Dispose the packing material safely.
  - The packing material may result in personal injuries.

## CAUTION

### Installation

- Securely install the product in an area where the weight of the product can be supported.
  - The product may fall and be destroyed.
- Do not use the product where there is oil, steam, or sulfuric gas.
  - It may effect the product's performance, or damage it.
- Check the rated power capacity.
  - It may cause a fire, or a product malfunction.
- Use the adaptor provided with the product or power from a class 2 24 V~ transformer, depending on model.
  - If a non-standard adaptor is used, the product may malfunction.  
The adaptor is not provided with the PDI package sold in the U.S.
- Be careful not to drop or damage the product when moving it.
  - The product may malfunction or the person may sustain an injury.
- Ensure that the cord is connected securely to prevent dew, water, or insects from getting into the product.
  - If a foreign substance gets inside, it may cause an electric shock or the product may malfunction.

### Use

- Clean the product with a soft cloth, but not with a solvent-based detergent.
  - The use of a solvent-based detergent may cause a fire or deform the product.

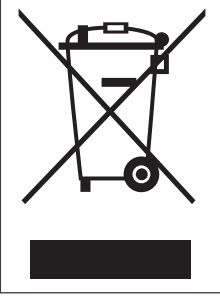
- Do not touch the panel using a pointy or sharp object.
  - It can result in an electric shock, or the product may malfunction.
- Do not let the product come into contact with a metal substance.
  - The product may malfunction.
- When sterilizing or disinfecting, stop using the product.
  - The product may work abnormally.
- Do not touch inside the product.
  - The product may malfunction.
- Check the condition of the product after using the product for an extended period of time.
  - If the product is used for an extended period of time, the product's condition may be worsen, causing injury to the user.
- Do not leave the product near a flower base, water bottle, or any other liquids.
  - It may cause a fire or electric shock.
- If the liquid crystal of the product is broken, please do not let your skin such as face or hands contact with.
  - Personal injury or property damage may occur.
- If the supply cord is damaged, it must be replaced by the manufacturer, its service agent or similarly qualified persons in order to avoid a hazard.
- Appliance shall be disconnected from its power source during service and when replacing parts.

### **According to IEC 60335-1**

This appliance is not intended for use by person (including children) with reduced physical, or mental capabilities, or lack of experience and knowledge, unless they have been given supervision or instruction concerning use of the appliance by a person responsible for their safety. Children should be supervised to ensure that they do not play with the appliance.

### **According to EN 60335-1**

This appliance can be used by children aged from 8 years and above and person with reduced physical, sensory or mental capabilities or lack of experience and knowledge if they have been given supervision or instruction concerning use of the appliance in a safe way and understand the hazards involved. Children shall not play with the appliance. Cleaning and user maintenance shall not be made by children without supervision.



### Disposal of your old appliance

1. When this crossed-out wheeled bin symbol is attached to a product it means the product is covered by the European Directive 2002/96/EC.
2. All electrical and electronic products should be disposed of separately from the municipal waste stream via designated collection facilities appointed by the government or the local authorities.
3. The correct disposal of your old appliance will help prevent potential negative consequences for the environment and human health.
4. For more detailed information about disposal of your old appliance, please contact your city office, waste disposal service or the shop where you purchased the product.



### Disposal of your old appliance (as per e-waste Rules)

1. When this crossed out wheeled bin symbol is depicted on the product and its operator's manual, it means the product is covered by the e-waste Management and Handling Rules, 2011 and are meant to be recycled, dismantled, refurbished or disposed off.
2. **Dos**
  - a. The product is required to be handed over only to the authorized recycle for disposal.
  - b. Keep the product in isolated area, after it becomes non-functional/un-repairable so as to prevent its accidental breakage.
- Don't**
  - a. The product should not be opened by the user himself/herself, but only by authorized service personnel.
  - b. The product is not meant for re-sale to any unauthorized agencies/scrap dealer/kabariwala.
  - c. The product is not meant for mixing into household waste stream.
  - d. Do not keep any replaced spare part(s) from the product in exposed area.
3. Any disposal through unauthorized agencies/person will attract action under Environment (Protection) Act 1986 .
4. This product is complied with the requirement of Hazardous Substances as specified under Rule 13 (1) & (2) of the E-Waste (Management & Handling) Rules, 2011.
5. To locate a nearest collection centre or call for pick-up (limited area only) for disposal of this appliance, please contact Toll Free No. **1800-180-9999** for details. All collection centre and pick up facilities are done by third parties with **LG Electronics India Pvt. Ltd.** Merely as a facilitator. For more detailed information , please visit : <http://www.lge.com/in>.

※ The above information applies only to India.

### अपने पुराने निपटान के उपकरण ( ई-अपशिष्ट नयम के अनुसार )

1. जब इस काटे गए पहचान वाले बिन का चिह्न किसी उपकरण और इसके ऑपरेटर की पुस्तिका के साथ संलग्न होता है तो इसका मतलब है कि इसे 'ई-अपशिष्ट' (प्रबंधन और इयालन ) नयम २०११ के अंतर्गत समझलित किया गया है , और इसे नवीनीकरणकरण ,निपटान और निपटान के लिए बनाया गया है ।
  2. **करें**
    - क . उपकरण को सुरिफ अधकृत पुनः नवीनीकरणकरता को ही निपटारण करने हेतु हस्तान्तरित करें ।
    - ख . जब उपकरण कारवत न हो इसे अलग कश्तर में रखें ताकि उपकरण से होने वाली दुरघटनाओं से बचा जा सके ।
  - क. इस उपकरण को स्वयं/खुद नहीं खोलना चाहिए ! उपकरण को केवल अधकृत अधकरी के द्वारा ही खोला जाना चाहिए ।
  - ख. इस उपकरण को पुनः बिक्री के लिए किसी भी कबाड़ीवाला / भंगार-वाला / अनाधिकृत संस्था को न दें ।
  - ग. इस उपकरण को किसी घरेलू अपशिष्ट सामान के साथ मलिकर न रखें ।
  - घ. उपकरण के बदले हुए या आंतरिकि पुरजों को खुले कश्तर में न रखें ।
3. यदा किसी अनाधिकृत वभिग या व्यक्तता के द्वारा निपटारण किया जाता है तो यह पर्यावरण (सुरक्षा) धारा १९८६ के अंतर्गत आता है ।
4. यह उत्पाद खतरनाक पदार्थों के लिए बनाये गए नयिमांक १३ (१) और (२), ई-वेस्ट (प्रबन्धन और रखरखाव) नयिम २०११ के कानून का पालन करता है.
5. उपरोक्त पदार्थों के निपटारण के लिए नजदीकी निपटारण संस्थान (संकीरण कश्तर) में काल करें. अधकृत जानकारी के लिए हमारे टोल फ्री नंबर **1800-180-9999** पर काल करें. सभी संग्रहण केंद्र व पकि-अप की सुविधाएँ किसी थर्ड-पार्टी जो "LG Electronics India Pvt. Ltd." को अपनी सेवाएँ प्रदान कर रही हैं, से करवाएँ । ज्यादा जानकारी के लिए देखें वेब:साइट - <http://www.lge.com/in>

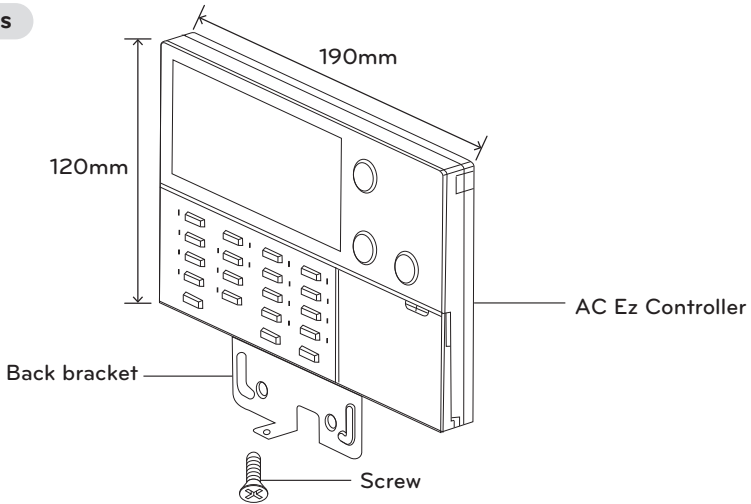
※ उपर दी गई जानकारी केवल भारत पर लागू होती है।

\*Safely dispose all materials in accordance with federal/state/local laws or ordinances.

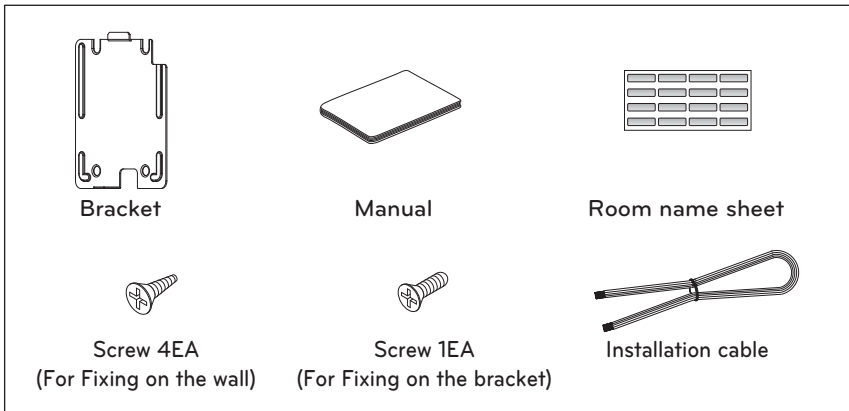
التخلص الآمن من كافة المواد بما يتوافق مع القوانين والأوامر المحلية

# INTRODUCTION

## Features



## Accessory



## CAUTION

If the supply cord is damaged, it must be replaced by the manufacturer, its service agent or similarly qualified persons in order to avoid a hazard.



## NOTE

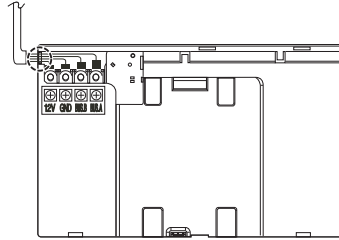
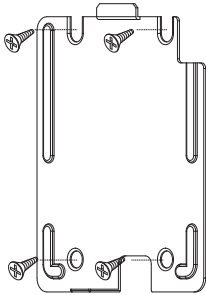
The figures of the components and optionally purchased products shown may differ from the actual components and products.

# INSTALLATION INSTRUCTION

After locating AC Ez installation Bracket at the desired location, screw the unit firmly.

- Set it up not to bend because poor setup could take place if setup board bends.
- Set remote controller board to the reclamation box if there is a reclamation box.

- In case of no reclamation to the surface of the wall : Use the right part guide groove.

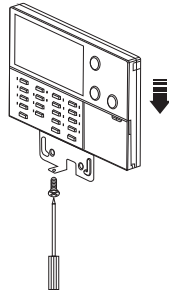


Fix it by using screw provided at the lower part tightly after wet it up the bracket.



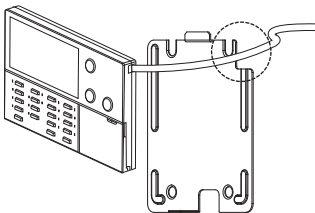
## CAUTION

Use the screws provided.



Set up AC Ez cable in suitable connection method.

- In case of reclamation to the surface of the wall : Use the cable hole of bracket.

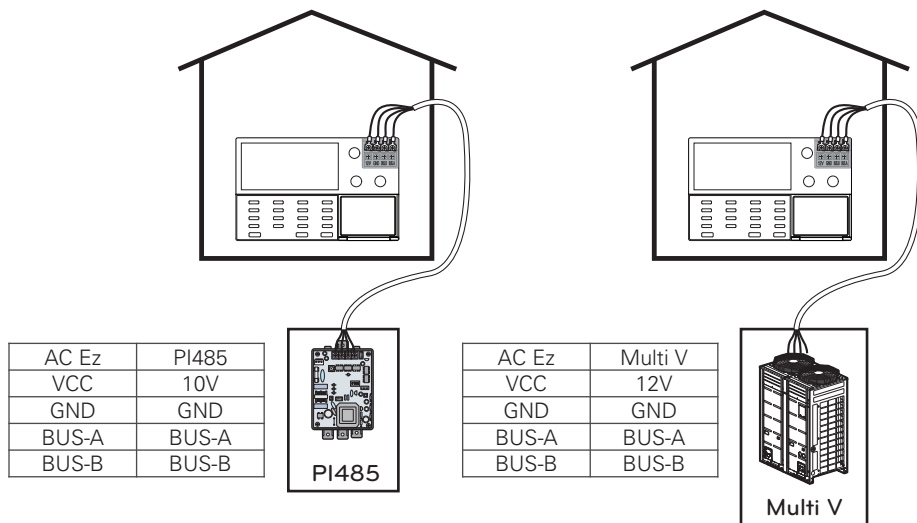


## CAUTION

It can crash on the floor by the impact, if screw is not fixed.

### Method to Connect cable

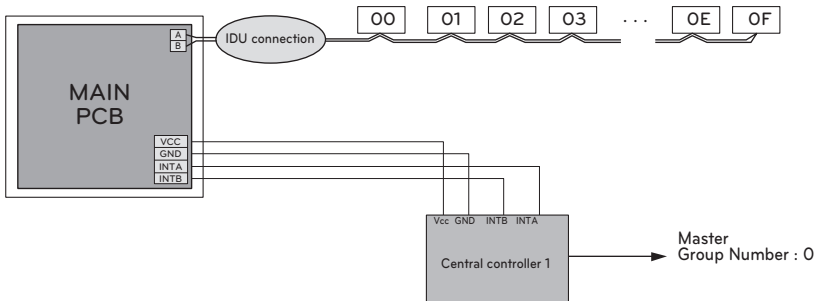
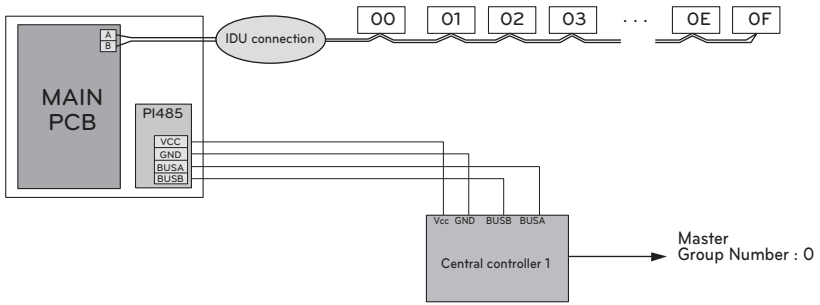
To supply power to the central controller, supply it from the terminal block DC 10V and GND terminal of PI485 or the terminal block DC 12V and GND of outdoor unit.



### ! CAUTION

- For supplying DC10V power from PI485, power supply is permitted up to 1 central controllers per PI485. If power is supplied more than 1 AC Ez, failure may occur in operation of the AC Ez.
- For expanding and connecting PI485 communication lines BUS\_A, BUS\_B up to 16 AC Ezs can be connected.
- Use the 0.75 Square Shield wires for connection wires between PI485 and AC Ez wires.
- Length of whole connection wires should be less than 1km.

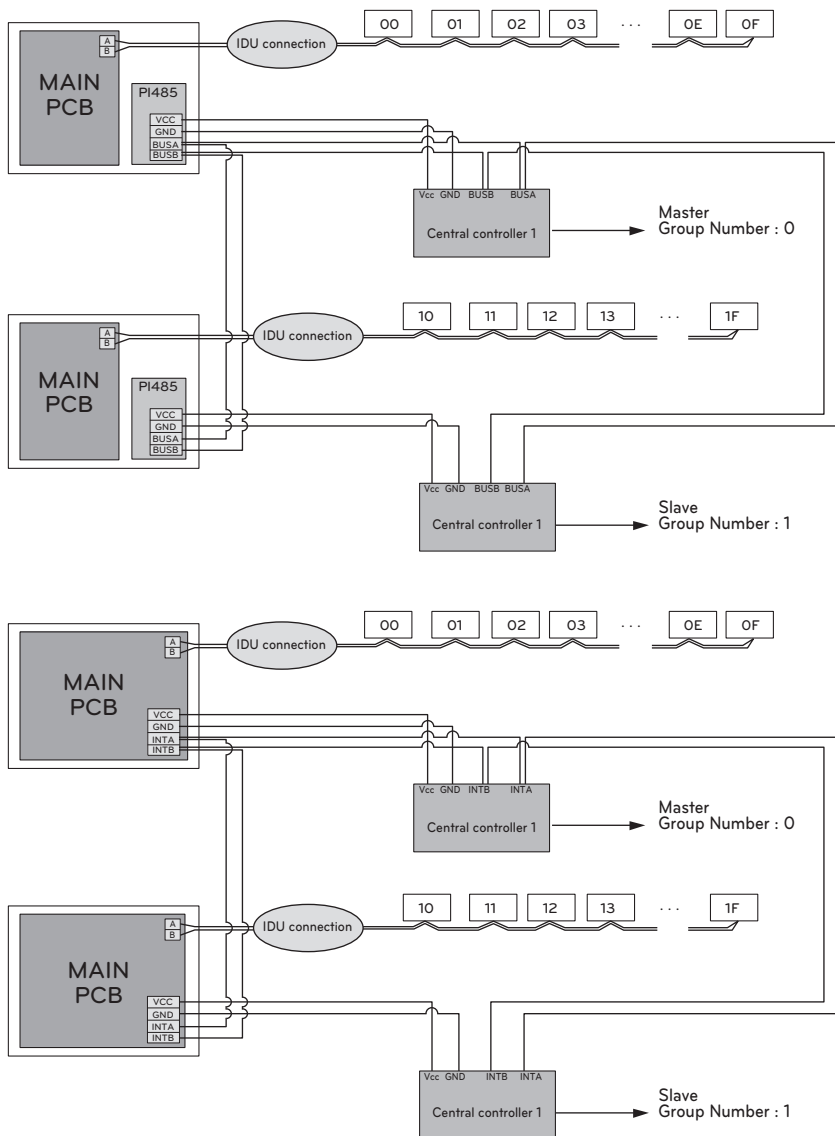
**In case of independence installation of AC Ez**



**NOTE**

AC Ez power should be inputted only one AC Ez from outdoor unit.

### In case of linkage installation of AC Ez

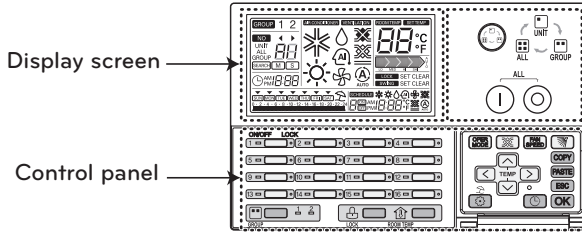


#### NOTE

AC Ez power should be inputted only one AC Ez from outdoor unit. It is possible to set the Master/Slave setting and group number setting by entering the installation mode. Central controller and outdoor unit wiring should be connected through BUS connection (BUS topology).

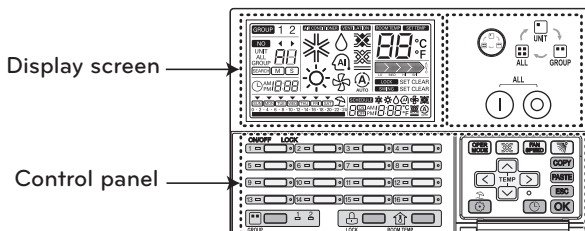
## Part description

### Name and Function of AC Ez



Control panel	Display screen	Description
		<b>Control select button</b> : Adjusts selected indoor unit range.
		<b>Total On/Off button</b> : Turns the power on/off condition of selected indoor units.
		<b>Individual On/Off button</b> : Turns the power on/off condition of individual indoor unit.
		<b>Group selection button</b> : Change control and display group
		<b>Lock set/clear button</b> : Turns the lock set/clear
		<b>Room temperature button</b> : Display the room temperature
		<b>Operation mode button</b> : Change operation mode of air conditioner
		<b>Ventilation mode button</b> : Change ventilation mode of ventilator
		<b>Fan speed button</b> : Change fan speed
		<b>Air flow button</b> : Turns swing set/clear of air flow

## Name and Function of AC Ez (Continued)



Control panel	Display screen	Description
		<b>Set temperature button</b> : Change desired operation temperature of air conditioner
		<b>Indoor select button</b> : Select desired indoor unit to control
		<b>Function setting button</b> : Enter installation mode to installation setup
		<b>Current time setting button</b> : Setup the current time
		<b>Schedule setting button</b> : Enter the schedule setup mode to setup desired schedule
		<b>Schedule copy button</b> : Copy former set schedule
		<b>Schedule paste button</b> : Paste copied schedule
		<b>Esc button</b> : Cancel the changed content
		<b>OK button</b> : Setup the changed content
		<b>Holiday setting button</b> : Turns holiday schedule application set/clear

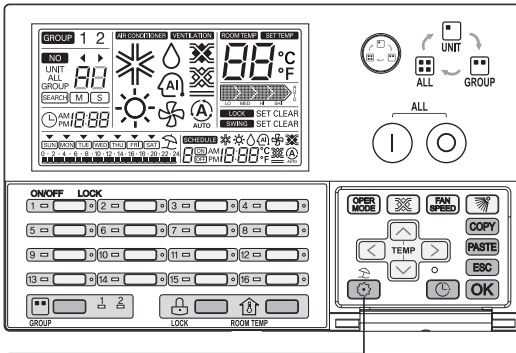
- Some functions may not be operated and displayed depending on the product type.
- It will display undesirable value to the room temperature if wired remote controller is not connected.


## Installation setup mode \_ How to enter installer setup mode

### ! CAUTION

Installer setting mode is to set the detail function of the AC Ez.

If the installer setting mode is not set correctly, it can cause problems to the product, Injury to user or property damage. This must be set by an certificated installer, and any installation or change that is carried out by a non-certified, user should be responsible for the results. In this case, free service cannot be provided.



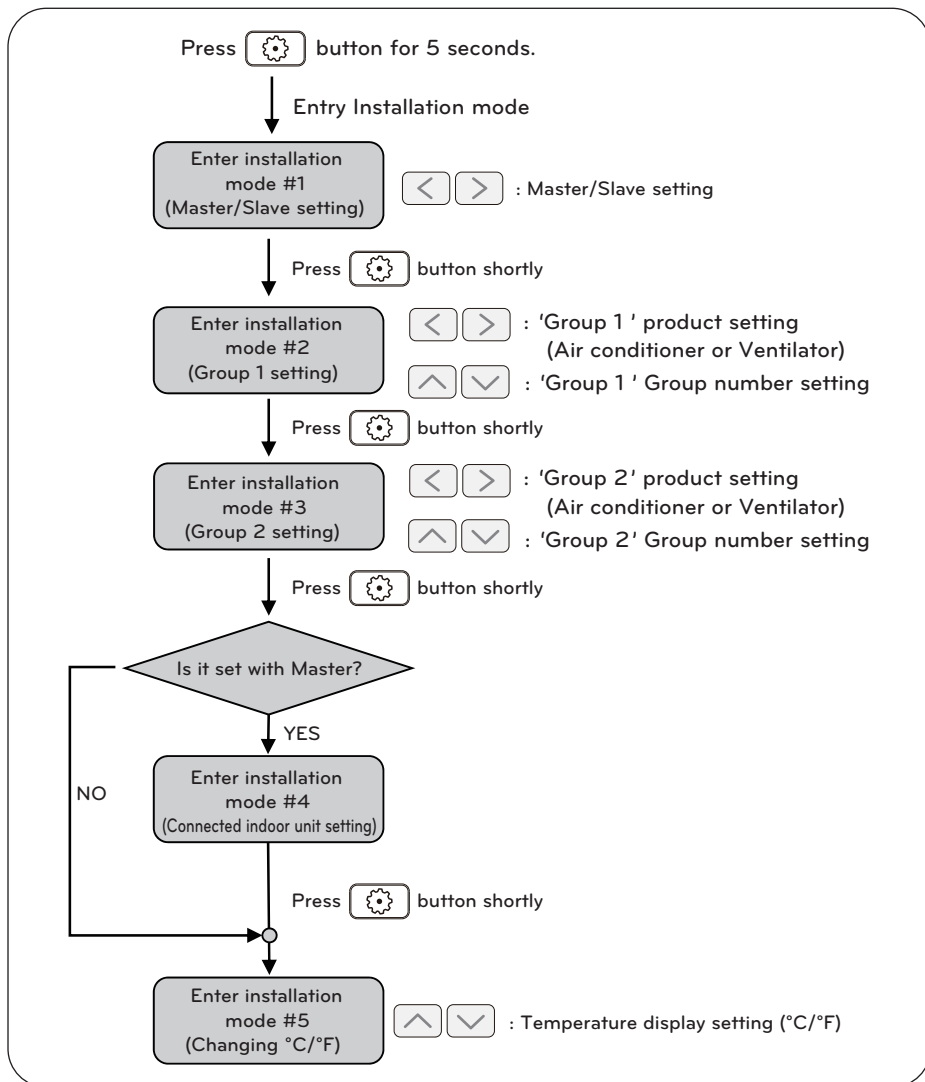
- 1 If pressing  button long for 5 seconds, it enters into AC Ez setup mode.  
- If pressing once shortly, it doesn't enter into installer setup mode.  
Please press more than 5 seconds for sure.

- 2 When you enter the setting mode initially, function code is displayed and on/off led of indoor #1 is blinking.

### Installer Setting Code Table

No.	Function	Code	Value
1	Master/Slave Setting	1	<b>[M]</b> : Master <b>[S]</b> : Slave
2	Group 1 product Select	2	Air conditioner / Ventilator
	Group Number Setting		0~F : Group Address    - : No use of this group
3	Group 2 product Select	3	Air conditioner / Ventilator
	Group No. Setting		0~F : Group Address    - : No use of this group
4	Indoor units searching (Master controller only)	4	Indoor unit searching
5	°C / °F setting	5	°C : Celsius
			°F : Fahrenheit

## Flow chart for Installer setup mode



## ! NOTE

In each installation mode, if you press the **[OK]** button, it is operated or saved current setting condition.

If you press the **[ESC]** button, it is returned before setting condition and exits from installation mode.

LG Electronics EU Importer names and addresses / Имена и адреси на вносителите на LG Electronics в ЕС / Nazivi i adrese uvoznika LG Electronics u EU / Nazivi i adrese uvoznika LG Electronics u EU / Názvy a adresy dovozců LG Electronics v EU / Navne og adresser på importører af LG Electronics i EU / Namen und Adressen der LG Electronics EU-Importeure / Ονόματα και διευθύνσεις εισαγωγέων της LG Electronics EU / Nombres y direcciones de importadores para la UE de LG Electronics / LG Electronics EL maaletootajate nimed ja aadressid / LG Electronics – EU:n maahantuojien nimet ja osoitteet / Noms et adresses des importateurs pour LG Electronics EU / Ainmeacha agus seolai lompórtálaí AE LG Electronics / Nazivi i adrese uvoznika proizvoda tvrtke LG Electronics u Europskoj uniji / Az LG Electronics európai uniós importőreinek neve és címe / Nöfn og heimilisföng LG Electronics innflytjenda innan ESB / Nomi e indirizzi degli importatori UE di LG Electronics / LG Electronics ES importuotojų pavadinimai ir adresai / LG Electronics ES importētāju nosaukumi un adreses / Имиња и адреси на увозници на LG Electronics за ЕУ / LG Electronics: ismijet u indirizzi tal-importaturi tal-UE / Namen en adressen van importeurs voor LG Electronics EU / Navn og adresser for EU-importører for LG Electronics / Nazwy i adresy importerów produktów LG Electronics w Europie / Nomes e endereços dos importadores para LG Electronics EU / Numele și adresele Importatorului UE al LG Electronics / Názvy a adresy dovozcov LG Electronics do EÚ / Imena in naslovi uvoznikov za LG Electronics EU / Emrat dhe adresat e importuesve të LG Electronics në BE / Nazivi i adrese EU uvoznika kompanije LG Electronics / Namn och adresser för LG Electronics EU-importörer

LG Electronics Benelux B.V.	Krijgsman 1, 1186 DM Amstelveen, The Netherlands
LG Electronics Deutschland GmbH	Alfred-Herrhausen-Allee 3-5, 65760, Eschborn, Germany
LG Electronics France, SAS	Immeuble Workstation, 25 quai du Président Paul Doumer, 92 400 Courbevoie, France
LG Electronics España S.A.U.	Calle Chile 1, 28290, Las Rozas, Madrid, Spain
LG Electronics Portugal S.A.	Taguspark, Av. Jacques Delors 3, Edifício Inovacao I, Corpo 1, 2740-122, Porto Salvo, Portugal
LG Electronics Hellas S.A.	Ethnarhou Makariou str. 1, 17501, Delta Paleo Faliro, Greece
LG Electronics Italia S.p.A.	Via Aldo Rossi 4, 20149, Milan, Italy
LG Electronics Latvia SIA	Gustava Zemgala gatve 74A, Rīga, LV-1039, Latvia
LG Electronics Magyar Kft.	Konyves K. krt.3/a, 1097, Budapest, Hungary
LG Electronics Polska Sp. z o.o.,	Wołoska 22, 02-675, Warszawa, Poland
LG Electronics Magyar Kereskedelmi Kft. Budapesta Sucursala București,	19-21 Bucuresti - Ploiesti street, Baneasa Business Center, 5th floor, District 1, 013682, Romania
LG Electronics Nordic AB	Esbogatan 18, 164 94, Kista, Sweden
LG Electronics Shared Services Center B.V.	Krijgsman 1, 1186 DM Amstelveen, The Netherlands

Depending on products or models, actual importers may be limited to some subsidiaries. For EU-produced units, there is no applicable EU importer. / В зависимост от продуктите или моделите действителните вносители може да са ограничени до някои дъщерни дружества. За апарати, произведени в ЕС, няма приложим вносител в ЕС. / U zavisnosti od proizvoda ili modela, uvoznici mogu biti ograničeni na neka povezana društva. Za jedinice proizvedene u EU ne postoji važeći uvoznik iz EU. / U zavisnosti od proizvoda ili modela, uvoznici mogu biti ograničeni na određene podružnice. Za jedinice proizvedene u EU ne postoji EU uvoznik. / V závislosti na výrobcích nebo modelech mohou být aktuální dovozci omezeni na některé dceřiné společnosti. U výrobků vyráběných v EU není žádný relevantní dovozce do EU. / Afhængigt af produkter eller modeller kan de faktiske importører være begrænset til enkelte datterselskaber. For EU-fremstillede enheder er der ingen relevant EU-importør. / Je nach Produkt oder Modell können die tatsächlichen Importeure auf einige Tochtergesellschaften beschränkt sein. Für in der EU produzierte Geräte gibt es keinen anwendbaren EU-Importeur. / Ανάλογα με τα προϊόντα ή τα μοντέλα, οι πραγματικοί εισαγωγείς ενδέχεται να περιορίζονται σε ορισμένες θυγατρικές. Για μονάδες που παράγονται στην ΕΕ δεν υπάρχει ισχύων εισαγωγέας της ΕΕ. / Dependiendo de los productos o modelos, los importadores efectivos podrían quedar limitados a algunos subsidiarios. Para las unidades producidas en la UE, no hay ningún importador para la UE aplicable. / Sõltuvalt toodetest või mudelist võivad tegelikud maaletoojad olla piiratud mõnede tütarettevõtetega. EL-is toodetud seadmete puhul ei ole kohaldatav EL maaletoojat. / Tuotteista tai malleista riippuen todelliset maahantoajat voivat rajoittua muutamiin tytäryhtiöihin. EU:ssa valmistetuilla laitteilla ei ole sovellettavaa EU:n maahantuojaa. / Selon les produits ou les modèles, les importateurs effectifs peuvent être limités à certaines filiales. Pour les unités produites dans l'UE, il n'y a pas d'importateur applicable pour l'UE. / Ag brath ar tháirgí nó múnlaí, d'fhadaífaí go mbeadh iompórtálaithe iarmhír srianta go roinnt fochomhlachtaí. Maidir le aonaid déanta sa AE, níl iompórtálaí AE infheidhme. / Ovisno o proizvodima ili modelima uvoznici mogu biti ograničeni na neke podružnice. Za uređaje proizvedene u Europskoj uniji nije predviđena tvrtka za uvoz iz EU. / A termékektől vagy modellektől függően előfordulhat, hogy a tényleges importőrök egyes leányvállalatokra korlátozódnak. Az EU-ban gyártott készülékek esetében nincs vonatkozó európai uniós importőr. / Raunverulegir framleiðendur geta verið takmarkaðir við tiltekni dótturfélag, en það fer eftir vörum eða vörumódelum. Engin ESB innflytjandi er fyrir hluti sem eru framleiddir innan ESB. / A seconda dei prodotti o dei modelli, gli importatori effettivi potrebbero essere limitati ad alcune filiali. Per le unità prodotte nell'UE, non esiste un importatore UE applicabile. / Priklausomai nuo gaminių ar modelių, tikrieji importuotojai gali apsiriboti kai kuriomis dukterinėmis įmonėmis. ES pagamintiems vienetams nėra tinkama ES importuotojų. / Atkarībā no produktiem vai modeļiem, faktiskie importētāji var būt dažādi meitasuzņēmumi. ES ražotām vienībām nav piemērojama ES importētāja. / Зависно од произвоците или моделите, актуелните увозници можеби се ограничени на некои подружници. За единиците произведени за ЕУ, нема применливи увозник за ЕУ. / Skont il-prodott jew il-mudell, l-importaturi attwali jistghu jknu limitati għal ċerti sussidjarji. Għall-unitajiet prodotti fl-UE, m'hemmx importatur applikabbli tal-UE. /

Afhankelijk van de producten of modellen, kunnen de eigenlijke importeurs beperkt zijn tot enkele dochterondernemingen. Voor in de EU geproduceerde eenheden is er geen toepasselijke EU-importeur. / Avhengig av produkter eller modeller, kan faktiske importører være begrenset til enkelte datterselskaper. Det er ingen gjeldende EU-importør for EU-produserte enheter. / W zależności od produktów lub modeli, rzeczywiscy importerzy mogą polegać na swoich podmiotach zależnych. W przypadku wyrobów produkowanych w UE nie ma odpowiedzialnego importera na region Unii. / Dependiendo dos productos o modelos, os importadores existentes podem ser limitados a algumas filiais. Para as unidades produzidas na UE, não há nenhum importador da UE aplicável. / În funcție de produse sau modele, importatorii actuali ar putea fi limitați la anumite filiale. Pentru unitățile produse în UE, nu există niciun importator UE aplicabil. / V závislosti od výrobcov alebo modelov môžu byť skutoční dovozcovia omedzení na niektoré dcérske spoločnosti. Pre zariadenia vyrobené v EÚ neexistuje žiadny príslušný dovozca do EÚ. / Odvisno od izdelkov ali modelov so lahko dejanski uvozniki omejeni na nekatere hčerinske družbe. Za enote, proizvedene v EU, ni ustreznega uvoznika iz EU. / Nē varēsī tē produktēve ose modeļēve, importuesit aktual mund tē jenē tē kufizuar vetēm nē disa degē. Pēr nēsītē e prodhuara nē BE, nuk ka importues tē zbatueshēm tē BE-sē. / U zavisnosti od proizvoda ili modela, stvarni uvoznici mogu biti ograničeni na neke podružnice. Za jedinice proizvedene u EU ne postoji merodavni EU uvoznik. / Beroende på produkter eller modeller kan faktiska importörer vara begränsade till vissa dotterbolag. För EU-tillverkade enheter finns det ingen tillämplig EU-importör.