

SIMPLE MANUAL

Mini Hi-Fi Audio

Please read this manual carefully before operating your set and retain it for future reference. To view the instructions of advanced features, visit <http://www.lg.com> and then download Owner's Manual. Some of the content in this manual may differ from your unit.

MODEL
OJ98

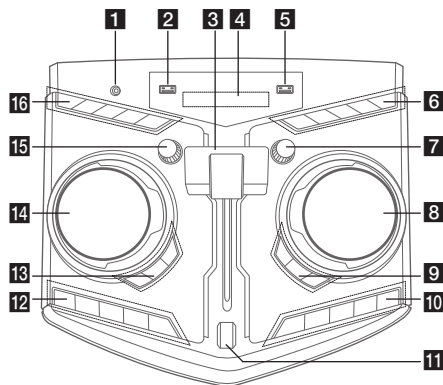


www.lg.com

Copyright © 2017 LG Electronics. All Rights Reserved



Top panel



1 PORT(Portable). IN jack

2 USB 1 Port
You can play sound files by connecting the USB device.

3 PARTY THRUSTER lever
Slide the lever to create a party atmosphere.

4 Display window

5 USB 2 Port
You can play sound files by connecting the USB device.

6 F (Function)
Selects the function and input source.

USB REC / DEMO

- Records to USB.
- In power off status, if you press  USB REC / DEMO, show demo mode.

LIGHTING MODE

Selects the lighting effects.

LIGHTING ON/OFF

Turns on/off the lighting effects.

PARTY LINK

Press and hold to select the PARTY LINK.

WIRELESS LINK

- Selects MASTER or SLAVE on WIRELESS PARTY LINK mode.
- Enable or disable WIRELESS PARTY LINK mode.

7 MASTER VOLUME

Adjust speaker volume.

8 SCRATCH / SEARCH & MULTI JOG

- Turns clockwise or counterclockwise to make scratch sound.
- Searches a folder or a file
- Selects lighting mode.

9 SEARCH

Moves to folder or file in selection mode.

OK

Selects a folder when searching a file.

REGION EQ / BASS BLAST

- Chooses region equalizer.
- Press and hold to select BASS effect directly.

10  (Skip/Search)

- Skips backward.
- Searches for a section within a track/file.
- Selects the radio stations.

 (Play/Pause)

- Starts or pauses playback.
- Selects stereo/mono.

 (Skip/Search)

- Skips forward.
- Searches for a section within a track/file.
- Selects the radio stations.

 (Stop) / RDS

- Stops playback or cancels DELETE function.
- Radio Data System

 (Open/Close)

Opens and closes the disc tray.

11 PARTY THRUSTER mode

Selects PARTY THRUSTER mode.

12 CLUB, DRUM, USER (DJ PRO)

Selects CLUB, DRUM or USER sound effect to mix.
(If you want to use USER, you have to register a source with "Music Flow Bluetooth" app.)

1, 2, 3 (DJ PRO PAD)

Press a desired sound pad.

PARTY STARTER

- In power off state, this function turns on the unit with Party Kick Starter sound.
- In power on state, this function mixes the music with Party Kick Starter sound.

DJ LOOP

Selects DJ LOOP mode.
(DJ LOOP mode can use during CD/USB playback.)

13 USER EQ

Selects the sound effect created by your own.

DJ EFFECT

Selects a desired DJ effect.

VOCAL EFFECTS

Selects VOCAL EFFECTS mode.

14 SCRATCH / LEVEL CONTROL

- Turns clockwise or counterclockwise to make scratch sound.
- Turns clockwise or counterclockwise to control the USER EQ level.
- Adjust DJ EFFECT level.
- Selects vocal effects mode.

15 MIC (Microphone) VOLUME

Adjust microphone volume.

16  (Standby)

Turns the power on or off.

VOICE CANCELLER

You can enjoy the function while playing the music, by reducing singer vocal of music in the various source.

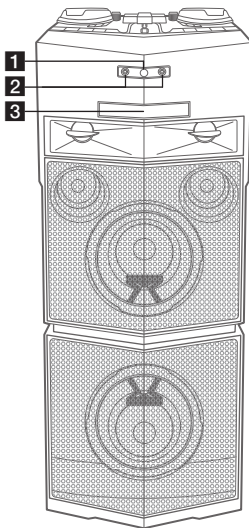
KEY CHANGER (b / #)


Changes the key to suit your vocal range.

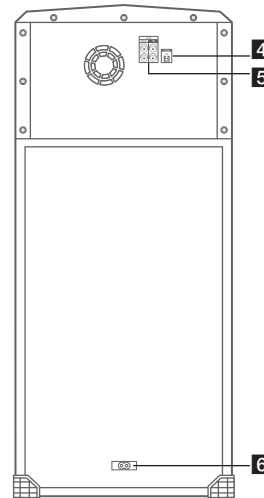
ECHO

Selects ECHO mode.

Front panel / Rear panel



- 1**  (Remote sensor)
- 2** MIC(Microphone) 1/2 jack
- 3** Disc tray



- 4** ANTENNA (FM)
- 5** AUX IN / OUT
Connect an auxiliary device.
- 6** AC in socket

Controller App



Download the **Music Flow Bluetooth** App to your device. (Android only)

LG Sound Sync (Wireless)



For more information, download the online owner's manual. <http://www.lg.com>

Additional Information

Specifications

Power Requirements	Refer to the main label on the unit.
Power Consumption	Refer to the main label on the unit. Networked standby : 0.5 W (If all network ports are activated.)
Dimensions (W x H x D)	Approx. 380 mm x 1099 mm x 400 mm
Bus Power Supply (USB)	5 V 500 mA
Amplifier (Total RMS output power)	1,800 W RMS

Design and specifications are subject to change without notice.

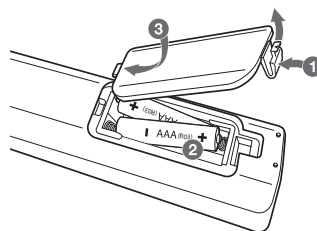
Caution

- Connect the power cord to wall outlet directly if possible. Or when you use an extension cable, it is highly recommended to use an extension cable of 110 V / 15 A or 230 V / 15 A, otherwise the unit may not operate properly because of the lack of power supply.
- Do not overload the extension cord with excessive electrical load.

How to disconnect the wireless network connection or the wireless device

Turn off the unit by pressing the power button for more than 5 seconds.

Replacement of battery



Declaration of Conformity



Hereby, LG Electronics declares that the radio equipment type MINI HI-FI AUDIO is in compliance with Directive 2014/53/EU. The full text of the EU declaration of conformity is available at the following internet address:

<http://www.lg.com/global/support/cedoc/cedoc#>

For consideration of the user, this device should be installed and operated with a minimum distance of 20 cm between the device and the body.

Frequency range	Output power (Max.)
2402 to 2480 MHz	10 dBm