

INSTALLATION MANUAL

AIR CONDITIONER

Please read this installation manual completely before installing the product. Installation work must be performed in accordance with the national wiring standards by authorized personnel only.

Please retain this installation manual for future reference after reading it thoroughly.

Standard Inverter



MFL68061228
Rev.03_091124

www.lghvac.com
www.lg.com

Copyright © 2017 - 2024 LG Electronics Inc. All Rights Reserved.

TIPS FOR SAVING ENERGY

Here are some tips that will help you minimize the power consumption when you use the air conditioner. You can use your air conditioner more efficiently by referring to the instructions below:

- Do not cool excessively indoors. This may be harmful for your health and may consume more electricity.
- Block sunlight with blinds or curtains while you are operating the air conditioner.
- Keep doors or windows closed tightly while you are operating the air conditioner.
- Adjust the direction of the air flow vertically or horizontally to circulate indoor air.
- Speed up the fan to cool or warm indoor air quickly, in a short period of time.
- Open windows regularly for ventilation as the indoor air quality may deteriorate if the air conditioner is used for many hours.
- Clean the air filter once every 2 weeks. Dust and impurities collected in the air filter may block the air flow or weaken the cooling / dehumidifying functions.

For your records

Staple your receipt to this page in case you need it to prove the date of purchase or for warranty purposes. Write the model number and the serial number here:

Model number : _____

Serial number : _____

You can find them on a label on the side of each unit.

Dealer's name : _____

Date of purchase : _____

SAFETY INSTRUCTIONS

The following safety guidelines are intended to prevent unforeseen risks or damage from unsafe or incorrect operation of the appliance.

The guidelines are separated into 'WARNING' and 'CAUTION' as described below.



This symbol is displayed to indicate matters and operations that can cause risk. Read the part with this symbol carefully and follow the instructions in order to avoid risk.



WARNING

This indicates that the failure to follow the instructions can cause serious injury or death.



CAUTION

This indicates that the failure to follow the instructions can cause the minor injury or damage to the product.



WARNING

- Installation or repairs made by unqualified persons can result in hazards to you and others.
- Installation of all field wiring and components MUST conform with local building codes or, in the absence of local codes, with the National Electrical Code 70 and the National Building Construction and Safety Code or Canadian Electrical code and National Building Code of Canada.
- The information contained in the manual is intended for use by a qualified service technician familiar with safety procedures and equipped with the proper tools and test instruments.
- Failure to carefully read and follow all instructions in this manual can result in equipment malfunction, property damage, personal injury and/or death.

Installation

- Always perform grounding.
 - Otherwise, it may cause electrical shock.
- Don't use a power cord, a plug or a loose socket which is damaged.
 - Otherwise, it may cause a fire or electrical shock.
- For installation of the product, always contact the service center or a professional installation agency.
 - Otherwise, it may cause a fire, electrical shock, explosion or injury.
- Securely attach the electrical part cover to the indoor unit and the service panel to the outdoor unit.
 - If the electrical part cover of the indoor unit and the service panel of the outdoor unit are not attached securely, it could result in a fire or electric shock due to dust, water, etc.
- Always install an air leakage breaker and a dedicated switching board.
 - No installation may cause a fire and electrical shock.
- Do not keep or use flammable gases or combustibles near the air conditioner.
 - Otherwise, it may cause a fire or the failure of product.
- Ensure that an installation frame of the outdoor unit is not damaged due to use for a long time.
 - It may cause injury or an accident.
- Do not disassemble or repair the product randomly.
 - It will cause a fire or electrical shock.
- Do not install the product at a place that there is concern of falling down.
 - Otherwise, it may result in personal injury.

- Use caution when unpacking and installing.
 - Sharp edges may cause injury.
- Use a vacuum pump or Inert (nitrogen) gas when doing leakage test or air purge. Do not compress air or Oxygen and Do not use Flammable gases. Otherwise, it may cause fire or explosion. There is the risk of death, injury, fire or explosion.

Operation

- Do not share the outlet with other appliances.
 - It will cause an electric shock or a fire due to heat generation.
- Do not use the damaged power cord.
 - Otherwise, it may cause a fire or electrical shock.
- Do not modify or extend the power cord randomly.
 - Otherwise, it may cause a fire or electrical shock.
- Take care so that the power cord may not be pulled during operation.
 - Otherwise, it may cause a fire or electrical shock.
- Unplug the unit if strange sounds, smell, or smoke comes from it.
 - Otherwise, it may cause electrical shock or a fire.
- Keep the flames away.
 - Otherwise, it may cause a fire.
- Take the power plug out if necessary, holding the head of the plug and do not touch it with wet hands.
 - Otherwise, it may cause a fire or electrical shock.
- Do not use the power cord near the heating tools.
 - Otherwise, it may cause a fire and electrical shock.
- Do not open the suction inlet of the indoor/outdoor unit during operation.
 - Otherwise, it may electrical shock and failure.
- Do not allow water to run into electrical parts.
 - Otherwise, it may cause the failure of machine or electrical shock.
- Hold the plug by the head when taking it out.
 - It may cause electric shock and damage.
- Never touch the metal parts of the unit when removing the filter.
 - They are sharp and may cause injury.
- Do not step on the indoor/outdoor unit and do not put anything on it.
 - It may cause an injury through dropping of the unit or falling down.
- Do not place a heavy object on the power cord.
 - Otherwise, it may cause a fire or electrical shock.
- When the product is submerged into water, always contact the service center.
 - Otherwise, it may cause a fire or electrical shock.
- Take care so that children may not step on the outdoor unit.
 - Otherwise, children may be seriously injured due to falling down.

CAUTION

Installation

- Install the drain hose to ensure that drain can be securely done.
 - Otherwise, it may cause water leakage.
- Install the product so that the noise or hot wind from the outdoor unit may not cause any damage to the neighbors.
 - Otherwise, it may cause dispute with the neighbors.
- Always inspect gas leakage after the installation and repair of product.
 - Otherwise, it may cause the failure of product.
- Keep level parallel in installing the product.
 - Otherwise, it may cause vibration or water leakage.
- Do not install the unit in potentially explosive atmospheres.

Operation

- Avoid excessive cooling and perform ventilation sometimes.
 - Otherwise, it may do harm to your health.
- Use a soft cloth to clean. Do not use wax, thinner, or a strong detergent.
 - The appearance of the air conditioner may deteriorate, change color, or develop surface flaws.
- Do not use an appliance for special purposes such as preserving animals vegetables, precision machine, or art articles.
 - Otherwise, it may damage your properties.
- Do not place obstacles around the flow inlet or outlet.
 - Otherwise, it may cause the failure of appliance or an accident.

TABLE OF CONTENTS

2 TIPS FOR SAVING ENERGY

3 SAFETY INSTRUCTIONS

7 INSTALLATION OF OUTDOOR UNIT

7 Installation Places

7 Piping length and the elevation

8 WIRING CONNECTION

8 Electrical Wiring

9 Connecting Cables between Indoor Unit and Outdoor Unit

10 Connecting the cable to Outdoor Unit

11 CONNECTING COPPER PIPES

11 Preparation of Piping

12 Plumbing materials and storage methods

13 Connecting the pipes to the Outdoor unit

14 Forming the piping

15 LEAKAGE TEST AND EVACUATION

15 Preparation

15 Leakage test

16 Evacuation

17 TEST RUNNING

18 FUNCTION

18 Pump Down

19 SELF-DIAGNOSIS FUNCTION

19 Error Indicator (Outdoor)

20 DIP S/W Setting

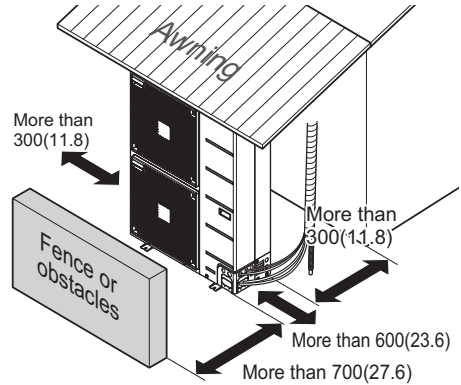
21 INSTALLATION GUIDE AT THE SEASIDE

22 SEASONAL WIND AND CAUTIONS IN WINTER

INSTALLATION OF OUTDOOR UNIT

Installation Places

- If an awning is built over the unit to prevent direct sunlight or rain exposure, make sure that heat radiation from the condenser is not restricted.
- Ensure that the spaces indicated by arrows around front, back and side of the unit.
- Do not place animals and plants in the path of the warm air.
- Take the air conditioner weight into account and select a place where noise and vibration are minimum.
- Select a place so that the warm air and noise from the air conditioner do not disturb neighbors.



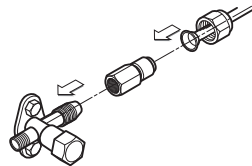
Unit : mm(inch)

Piping length and the elevation

Capacity (kBTu/h)	Pipe Size mm(inch)		Length A(m)		Elevation B Unit : m(ft)		Additional refrigerant Unit : g/m(oz/ft)
	Gas	Liquid	Standard	Max.	Standard	Max.	
18	Ø 15.88 (5/8)	Ø 9.52 (3/8)	7.5 (24.6)	50 (164)	5 (16)	30 (98)	40(0.43)
24	Ø 15.88 (5/8)	Ø 9.52 (3/8)	7.5 (24.6)	50 (164)	5 (16)	30 (98)	40(0.43)
36	Ø 15.88 (5/8)	Ø 9.52 (3/8)	7.5 (24.6)	75 (246)	5 (16)	30 (98)	40(0.43)
42	Ø 15.88 (5/8)	Ø 9.52 (3/8)	7.5 (24.6)	75 (246)	5 (16)	30 (98)	40(0.43)
48	Ø 15.88 (5/8)	Ø 9.52 (3/8)	7.5 (24.6)	75 (246)	5 (16)	30 (98)	40(0.43)
60	Ø 19.05 (3/4)	Ø 9.52 (3/8)	7.5 (24.6)	50 (164)	5 (16)	30 (98)	40(0.43)

※ When combining a 60k outdoor unit with a 48/42k indoor unit, please install it using the connector as shown in the image below. Connectors are included in the ODU.

OUTDOOR	INDOOR	Connector
		Ø 19.05 → Ø 15.88
LUU601HV	LVN420HV	○
	LVN480HV	○
	LVN600HV	X



If installed tube is shorter than 7.5 m(24.6 ft), additional refrigerant charging is not necessary.

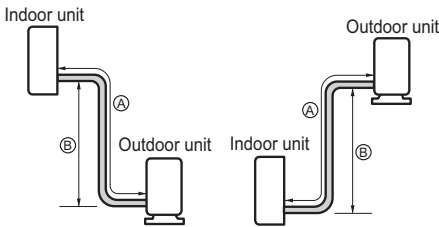
Additional Refrigerant

$$= [A - 7.5 \text{ m}(24.6 \text{ ft})] \times \text{Additional refrigerant [g(oz)]}$$

* In case of A-Coil combination, Charge additional refrigerant

ex) If installed tube is shorter than 7.5 m(24.6 ft), Charge additional refrigerant for A-Coil Combination [g(oz)]

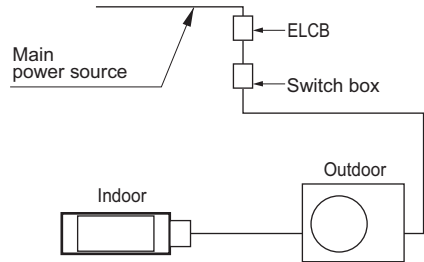
ex) If installed tube is more than 7.5 m(24.6 ft), Total Additional Refrigerant = { [A - 7.5 m(24.6 ft)] x Additional refrigerant [g(oz)] } + additional refrigerant for A-Coil Combination [g(oz)]



WIRING CONNECTION

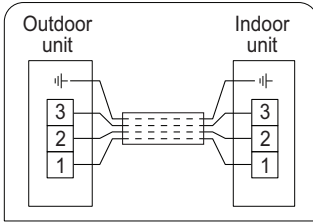
Electrical Wiring

- All wiring must comply with local requirements.
- Select a power source that is capable of supplying the current required by the air conditioner.
- Use a recognized ELCB(Electric Leakage Circuit Breaker) between the power source and the unit. A disconnection device to adequately disconnect all supply lines must be fitted.
- Model of circuit breaker recommended by authorized personnel only.



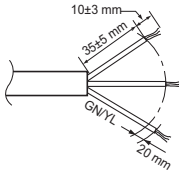
Model	Phase(Ø)	ELCB (A)
18k	1	30
24k	1	30
36k	1	40
42k	1	40
48k	1	40
60k	1	40

Connecting Cables between Indoor Unit and Outdoor Unit

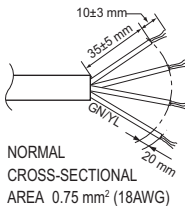


CAUTION

The power cord connected to the outdoor unit should be complied with IEC 60245 or HD 22.4 S4 (This equipment shall be provided with a cord set complying with the national regulation.)



The connecting cable connected to the outdoor unit should be complied with IEC 60245 or HD 22.4 S4 (This equipment shall be provided with a cord set complying with the national regulation.)

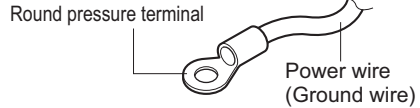


When the connection line between the indoor unit and outdoor unit is over 40 m (131 ft), connect the telecommunication line and power line separately.

- If the power cord is damaged, it must be replaced by a special cord or assembly available from the manufacturer of its service agent.

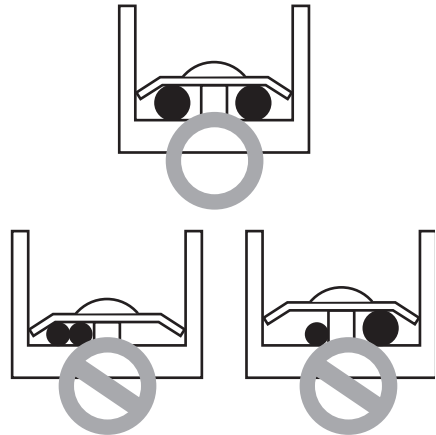
Precautions when laying power and ground wiring

Use round pressure terminals for connections to the power terminal block. When laying ground terminals, you must use round pressure terminals.



When none are available, follow the instructions below.

- Do not connect wiring of different thicknesses to the power terminal block. (Slack in the power wiring may cause abnormal heat.)
- When connecting wiring which is the same thickness, do as shown in the figure below.

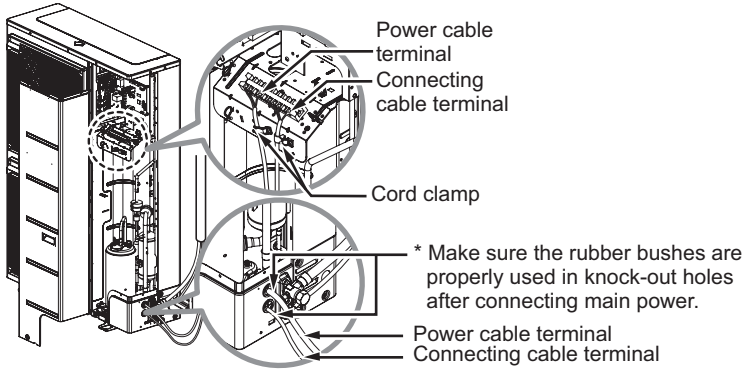


- For wiring, use the designated power wire and connect firmly, then secure to prevent outside pressure being exerted on the terminal block.
- Use an appropriate screwdriver for tightening the terminal screws. A screwdriver with a small head will strip the head and make proper tightening impossible.
- Over-tightening the terminal screws may break them.

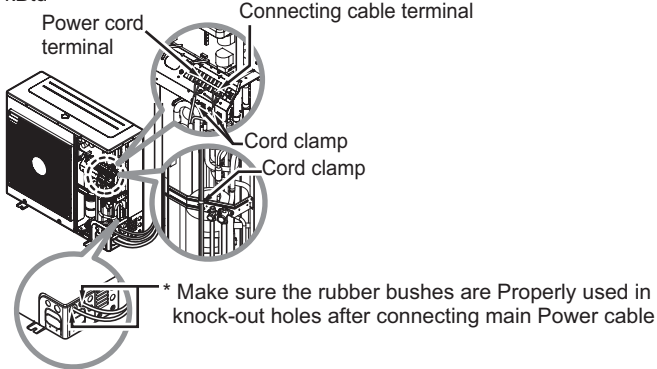
Connecting the cable to Outdoor Unit

- Remove the side panel for wiring connection.
- Use the cord clamp to fix the cord.
- Earthing work
Connect the cable of diameter more to the earthing terminal provided in the control box and do earthing.

< 36 / 42 / 48 / 60 kBtu >



< 18 / 24 kBtu >



⚠ CAUTION

- The circuit diagram is not subject to change without notice.
- Be sure to connect wires according to the wiring diagram.
- Connect the wires firmly, so that not to be pulled out easily.
- Connect the wires according to color codes by referring the wiring diagram.

⚠ CAUTION

- The Power cord connected to the unit should be selected according to the following specifications.

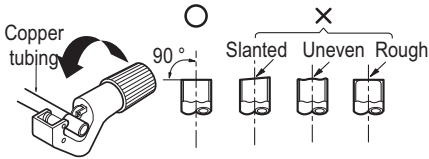
CONNECTING COPPER PIPES

Preparation of Piping

Main cause of gas leakage is defect in flaring work. Carry out correct flaring work in the following procedure.

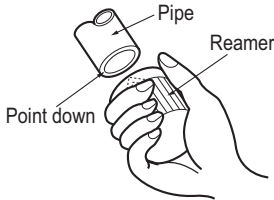
Cut the pipes and the cable.

- Use the accessory piping kit or the pipes purchased locally.
- Measure the distance between the indoor and the outdoor unit.
- Cut the pipes a little longer than measured distance.
- Cut the cable 1.5 m(4.9 ft) longer than the pipe length.



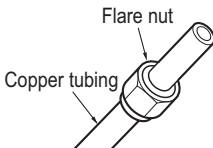
Burrs removal

- Completely remove all burrs from the cut cross section of pipe.
- Put the end of the copper tubing to downward direction as you remove chips in order to avoid to let chips drop in the pipe.



Putting nut on

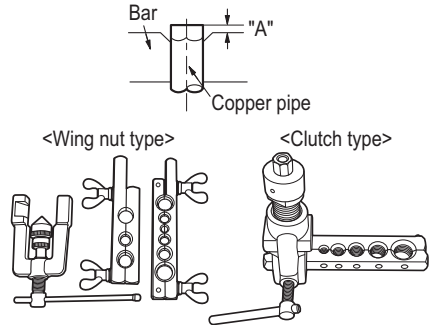
- Remove flare nuts attached to indoor and outdoor units, than put them on pipe/tube having completed burr removal. (Not possible to put them on after flaring work)



Flaring work

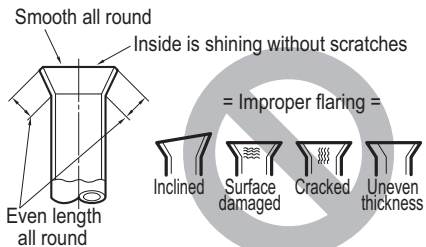
- Firmly hold copper tube in a bar(or die) as indicated dimension in the table above.
- Carry out flaring work using dedicated flaring tool for R-410A as shown below.

Pipe diameter Inch (mm)	A inch (mm)	
	Wing nut type	Clutch type
Ø 1/4 (Ø 6.35)	0.04~0.05 (1.1~1.3)	0~0.02 (0~0.5)
Ø 3/8 (Ø 9.52)	0.06~0.07 (1.5~1.7)	
Ø 1/2 (Ø 12.7)	0.06~0.07 (1.6~1.8)	
Ø 5/8 (Ø 15.88)	0.06~0.07 (1.6~1.8)	
Ø 3/4 (Ø 19.05)	0.07~0.08 (1.9~2.1)	



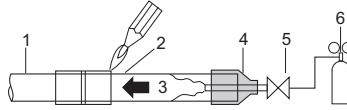
Check

- Compare the flared work with figure below.
- If flare is noted to be defective, cut off the flared section and do flaring work again.



NOTE

Always blow nitrogen into pipe which is brazed. Always use a non-oxidizing brazing material for brazing the parts and do not use flux. If not, oxidized film can cause clogging or damage to the compressor unit and flux can harm the copper piping or refrigerant oil.



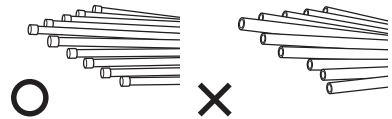
1	Refrigerant piping	4	Taping
2	Pipe to be brazed	5	Valve
3	Nitrogen	6	Pressure-reducing valve

- The torch tip should be positioned at the opposite angle to show the correct way to apply heat on the pipe coupling.

Plumbing materials and storage methods

Pipe must be able to obtain the specified thickness and should be used with low impurities. Also when handling storage, pipe must be careful to prevent a fracture, deformity and wound.

Should not be mixed with contaminations such as dust, moisture.



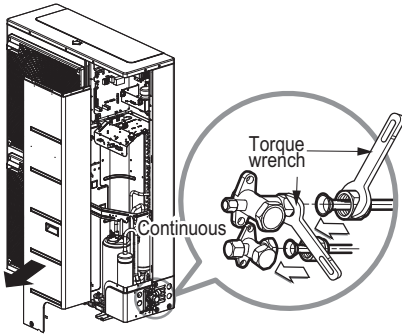
Refrigerant piping on three principles

	Drying	Cleanliness	Airtight
	Should be no moisture inside	No dust inside.	There is no refrigerant leakage
Items			
Cause failure	<ul style="list-style-type: none"> - Significant hydrolysis of refrigerant oil - Degradation of refrigerant oil - Poor insulation of the compressor - Do not cold and warm - Clogging of EEV, Capillary 	<ul style="list-style-type: none"> - Degradation of refrigerant oil - Poor insulation of the compressor - Do not cold and warm - Clogging of EEV, Capillary 	<ul style="list-style-type: none"> - Gas shortages - Degradation of refrigerant oil - Poor insulation of the compressor - Do not cold and warm
Countermeasure	<ul style="list-style-type: none"> - No moisture in the pipe - Until the connection is completed, the plumbing pipe entrance should be strictly controlled. - Stop plumbing at rainy day. - Pipe entrance should be taken side or bottom. - When removal burr after cutting pipe, pipe entrance should be taken down. - Pipe entrance should be fitted cap when pass through the walls. 	<ul style="list-style-type: none"> - No dust in the pipe. - Until the connection is completed, the plumbing pipe entrance should be strictly controlled. - Pipe entrance should be taken side or bottom. - When removal burr after cutting pipe, pipe entrance should be taken down. - Pipe entrance should be fitted cap when pass through the walls. 	<ul style="list-style-type: none"> - Airtightness test should be. - Brazing operations to comply with standards. - Flare to comply with standards. - Flange connections to comply with standards.

Connecting the pipes to the Outdoor unit

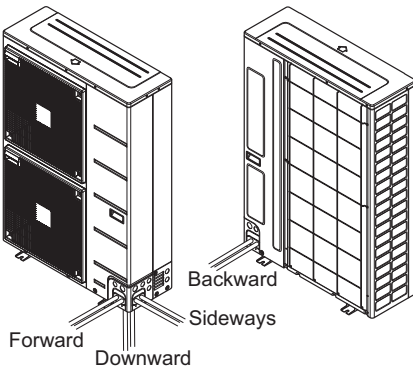
- Align the center of the piping and sufficiently tighten the flare nut by hand.
- Finally, tighten the flare nut with torque wrench until the wrench clicks. When tightening the flare nut with torque wrench, ensure the direction for tightening follows the arrow on the wrench.

Piping Size		Torque		
mm	inch	kgf-cm	N-m	lbf-ft
Ø 6.35	Ø 1/4	180 ~ 250	17.6 ~ 24.5	13 ~ 18
Ø 9.52	Ø 3/8	340 ~ 420	33.3 ~ 41.2	25 ~ 30
Ø 15.88	Ø 5/8	630 ~ 820	61.7 ~ 80.4	45 ~ 59
Ø 12.7	Ø 1/2	550 ~ 660	53.9 ~ 64.7	40 ~ 48
Ø 19.05	Ø 3/4	990 ~ 1210	97.0 ~ 118.7	71 ~ 87



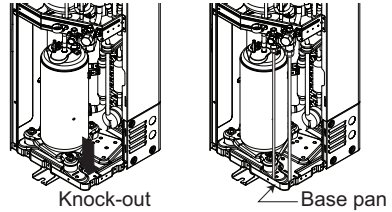
* When tighten the pipe, hold the hexagonal body.

<Figure 1>



- When connecting in a downward direction, knock out the knock-out hole of the base pan. (refer to figure 2)

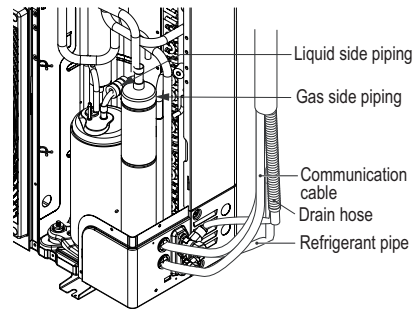
<Figure 2>



Preventing foreign objects from entering (Figure3)

- Plug the pipe through-holes with putty or insulation material (procured locally) to stop up all gaps, as shown in the figure 3.

<Figure 3>



⚠ CAUTION

- Insects or small animals entering the outdoor unit may cause a short circuit in the electrical box.

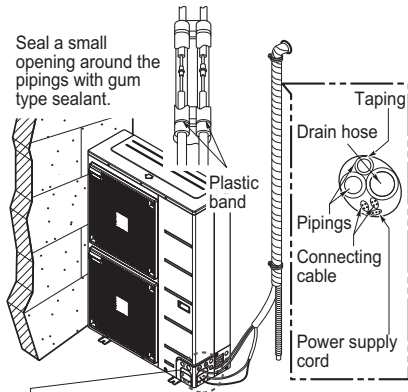
Forming the piping

Form the piping by wrapping the connecting portion of the indoor unit with insulation material and secure it with two kinds of vinyl tape.

- If you want to connect an additional drain hose, the end of the drain outlet should be routed above the ground. Secure the drain hose appropriately.

In cases where the outdoor unit is installed below the indoor unit perform the following.

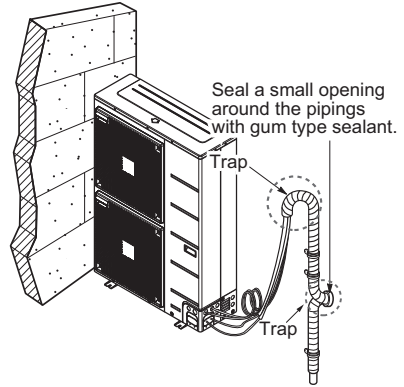
- 1 Tape the piping, drain hose and connecting cable from down to up.
- 2 Secure the tapped piping along the exterior wall using saddle or equivalent.



Trap is required to prevent water from entering into electrical parts.

In cases where the outdoor unit is installed above the indoor unit perform the following.

- 1 Tape the piping and connecting cable from down to up.
- 2 Secure the taped piping along the exterior wall. Form a trap to prevent water entering the room.
- 3 Fix the piping onto the wall by saddle or equivalent.



LEAKAGE TEST AND EVACUATION

Air and moisture remaining in the refrigerant system have undesirable effects as indicated below.

- 1 Pressure in the system rises.
- 2 Operating current rises.
- 3 Cooling(or heating) efficiency drops.
- 4 Moisture in the refrigerant circuit may freeze and block capillary tubing.
- 5 Water may lead to corrosion of parts in the refrigeration system.

Therefore, the indoor/outdoor unit and connecting tube must be checked for leak tight, and vacuumed to remove incondensable gas and moisture in the system.

Preparation

Check that each tube(both liquid and gas side tubes) between the indoor and outdoor units have been properly connected and all wiring for the test run has been completed. Remove the service valve caps from both the gas and the liquid side on the outdoor unit. Check that both the liquid and the gas side service valves on the outdoor unit are kept closed at this stage.

Leakage test

Connect the manifold valve(with pressure gauges) and dry nitrogen gas cylinder to this service port with charge hoses.

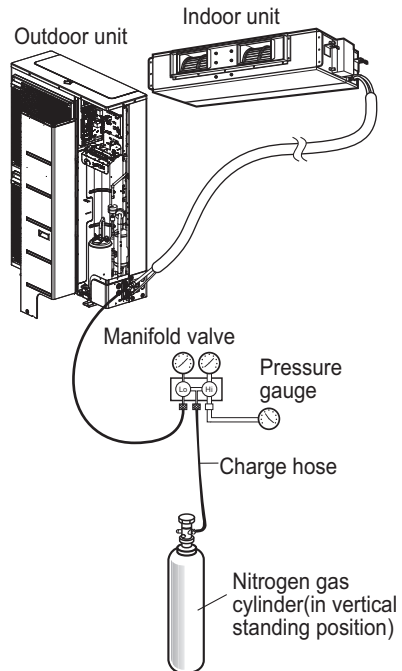
CAUTION

- Be sure to use a manifold valve for leakage test. If it is not available, use a stop valve for this purpose. The "Hi" knob of the manifold valve must always be kept close.

Pressurize the system to no more than 3.0 MPa (427 P.S.I.G) with dry nitrogen gas and close the cylinder valve when the gauge reading reached 3.0 MPa (427 P.S.I.G) Next, test for leaks with liquid soap.

CAUTION

- To avoid nitrogen entering the refrigerant system in a liquid state, the top of the cylinder must be higher than its bottom when you pressurize the system. Usually, the cylinder is used in a vertical standing position.
- 1 Do a leakage test of all joints of the tubing(both Indoor unit and outdoor unit) and both gas and liquid side service valves. Bubbles indicate a leak. Be sure to wipe off the soap with a clean cloth.
 - 2 After the system is found to be free of leaks, relieve the nitrogen pressure by loosening the charge hose connector at the nitrogen cylinder. When the system pressure is reduced to normal, disconnect the hose from the cylinder.



Evacuation

- 1 Connect the charge hose end described in the preceding steps to the vacuum pump to evacuate the tubing and indoor unit. Confirm the "Lo and Hi" knob of the manifold valve is open. Then, run the vacuum pump.
The operation time for evacuation varies with tubing length and capacity of the pump. The following table shows the time required for evacuation.

Required time for evacuation when 30 gal/h(114 l/h) vacuum pump is used	
If tubing length is less than 10 m(33 ft)	If tubing length is longer than 10 m(33 ft)
30 minutes or more	60 minutes or more
0.07 kPa (0.01 psi)(0.53 torr) or less	

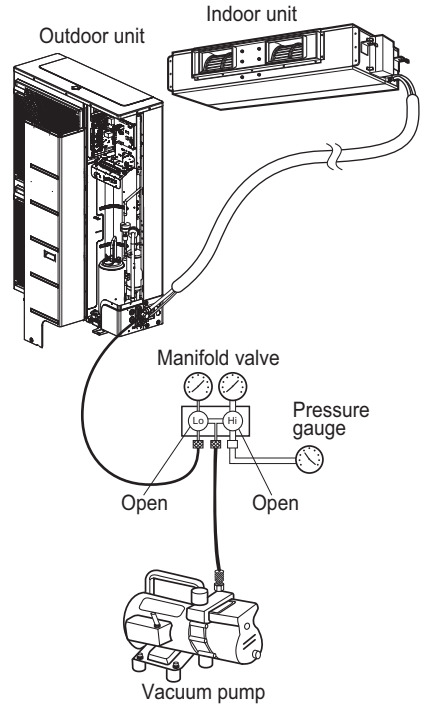
- 2 When the desired vacuum is reached, close the "Lo and Hi" knob of the manifold valve and stop the vacuum pump.

Finishing the job

- 1 With a service valve wrench, turn the valve stem of liquid side valve counter-clockwise to fully open the valve.
- 2 Turn the valve stem of gas side valve counter-clockwise to fully open the valve.
- 3 Loosen the charge hose connected to the gas side service port slightly to release the pressure, then remove the hose.
- 4 Replace the flare nut and its bonnet on the gas side service port and fasten the flare nut securely with an adjustable wrench. This process is very important to prevent leakage from the system.
- 5 Replace the valve caps at both gas and liquid side service valves and fasten them tight.

This completes air purging with a vacuum pump.

The air conditioner is now ready to test run.



TEST RUNNING

Precautions in test running

- The initial power supply must provide at least 90 % of the rated voltage. Otherwise, the air conditioner should not be operated.

NOTE

- For test run, carry out the cooling operation firstly even during heating season. If heating operation is carried out firstly, it leads to the trouble of compressor. Then attention must be paid.
- Carry out the test run more than 5 minutes without fail. (Test run will be cancelled 18 minutes later automatically)
 - The test run is started by pressing the room temperature checking button and down timer button for 3 seconds at the same time.
 - To cancel the test run, press any button.

Check the following items when installation is complete

- After completing work, be sure to measure and record trial run properties, and store measured data, etc.
- Measuring items are room temperature, outside temperature, suction temperature, blow out temperature, wind velocity, wind volume, voltage, current, presence of abnormal vibration and noise, operating pressure, piping temperature, compressive pressure.
- As to the structure and appearance, check following items.
 - * Is the circulation of air adequate?
 - * Is the draining smooth?
 - * Is the heat insulation complete (refrigerant and drain piping)?
 - * Is there any leakage of refrigerant?
 - * Is the remote controller switch operated?
 - * Is there any faulty wiring?
 - * Are not terminal screws loosened?

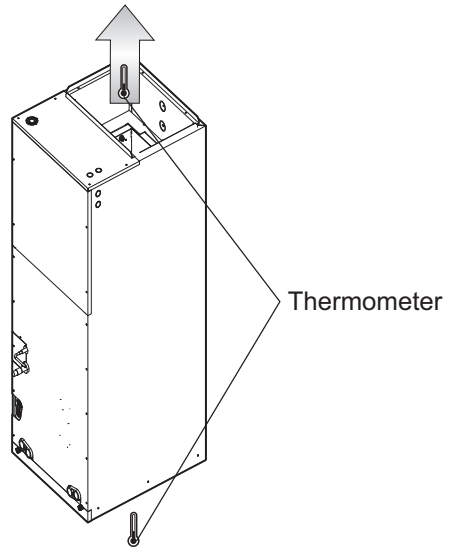
- M4.....118 N·cm (10.4 lbs·inch)
- M5.....196 N·cm (17.3 lbs·inch)
- M6.....245 N·cm (21.7 lbs·inch)
- M8.....588 N·cm (52 lbs·inch)

Connection of power supply

- Connect the power supply cord to the independent power supply. Circuit breaker is required.
- Operate the unit for fifteen minutes or more.

Evaluation of the performance

- Measure the temperature of the intake and discharge air.
- Ensure the difference between the intake temperature and the discharge one is more than 8 °C (Cooling) or reversely (Heating).



HAND OVER

Teach the customer the operation and maintenance procedures, using the operation manual.
(air filter cleaning, temperature control, etc.)

FUNCTION

Pump Down

Setting Procedure

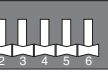
1 Set the DIP Switch as follow after shutting the power source down.



18k
24k (4kW Controller)



24k (4.5kW Controller)

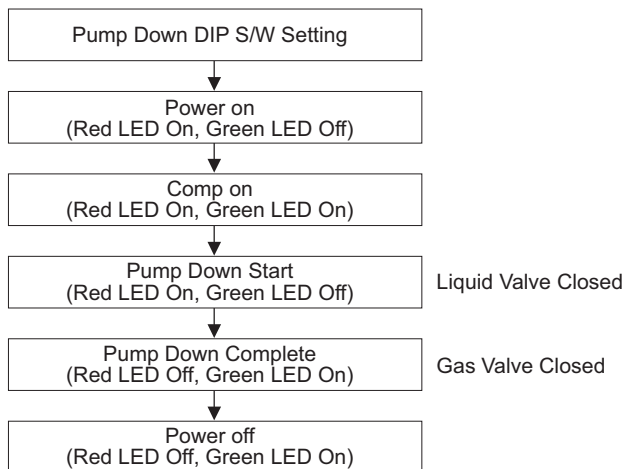


36k
42k
48k
60k

- 2 Reset the power.
- 3 Red LED and Green LED of PCB lights during work.
(The indoor unit is operated by force.)
- 4 If operation is done, Red LED will be turned off.
If operation is not done normally, Red LED will blink.
- 5 Close the Liquid valve only after green LED turned off (7 minutes from the start of the machine).
Then close the gas valve after Green LED on.

NOTE

- When the green LED of PCB is on, compressor is going to be off because of low pressure.
- You should return the DIP Switch to operate normally after finishing the operation.
- Improper Pump down will lead to product turn off along with LED (green & red) off with in 20 minutes from the initial start.

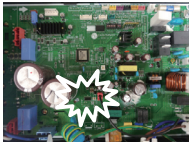
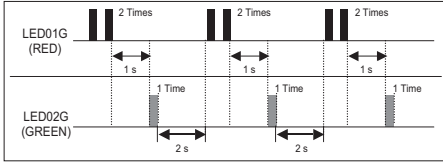


SELF-DIAGNOSIS FUNCTION

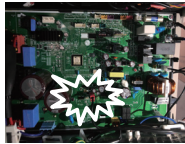
Error Indicator (Outdoor)

Outdoor Error

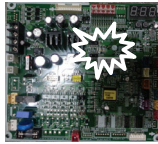
Ex) Error 21 (DC Peak)



18k
24k (4kW Controller)



24k
(4.5kW Controller)



36k
42k
48k
60k

Error Code	Description	LED 1 (Red)	LED 2 (Green)	Indoor status
21	DC Peak(IPM Fault)	2 times ●	1 time ●	OFF
22	Max. CT(CT2)	2 times ●	2 times ●	OFF
23	DC Link Low Volt.	2 times ●	3 times ●	OFF
24	Pressure switch/Heater Sink.	2 times ●	4 times ●	OFF
26	DC Comp Position Error	2 times ●	6 times ●	OFF
27	PSC Fault Error	2 times ●	7 times ●	OFF
29	Comp Over Current	2 times ●	9 times ●	OFF
32	D-Pipe High(Inv.)	3 times ●	2 times ●	OFF
35	Low pressure Error	3 times ●	5 times ●	OFF
41	Inv. D-Pipe Th Error(Open/Short)	4 times ●	1 time ●	OFF
43	Pressure Sensor Error	4 times ●	3 times ●	OFF
44	Outdoor air Th Error(Open/Short)	4 times ●	4 times ●	OFF
45	Cond. Middle Pipe Th Error(Open/Short)	4 times ●	5 times ●	OFF
46	Suction Pipe Th Error(Open/Short)	4 times ●	6 times ●	OFF
48	Cond. Out-Pipe Th Error(Open/Short)	4 times ●	8 times ●	OFF
51	Capacity over	5 times ●	1 time ●	OFF
53	Communication Error(Indoor↔Outdoor)	5 times ●	3 times ●	OFF
54	Open and Reverse Phase Error	5 times ●	4 times ●	OFF
60	EEPROM Error(Outdoor)	6 times ●	0	OFF
61	Cond. Middle Pipe High	6 times ●	1 time ●	OFF
62	Heatsink Error(High)	6 times ●	2 times ●	OFF
65	Heatsink Th Error(Open/Short)	6 times ●	5 times ●	OFF
67	BLDC motor fan lock(Outdoor)	6 times ●	7 times ●	OFF
73	PFC Fault Error(S/W)	7 times ●	3 times ●	OFF

DIP S/W Setting

If you set the DIP Switch when power is on, the change in setting is not applicable. The changing setting is enabled only when Power is reset.

DIP Switch												Function					
18k 24k (4kW Controller)					24k (4.5kW Controller)				36k 42k 48k 60k								
1	2	3	4	5	1	2	3	4	5	1	2		1	2	3	4	5
												Normal Operation (No Function)					
												Pump Down					
												Mode Lock (Cooling)					
												Mode Lock (Heating)					
												Night Quiet Mode (Step 1)					
												Night Quiet Mode (Step 2)					
												Mode Lock (Cooling) + Night Quiet Mode (Step 1)					
												Mode Lock (Cooling) + Night Quiet Mode (Step 2)					

WARNING

- When you set the DIP switch, you should turn off the circuit breaker or shut the power source of the product down.

NOTE

- Unless the applicable DIP switch is set properly, the product may not work.
- If you want to set a specific function, request that the installer sets the DIP switch appropriately during installation.

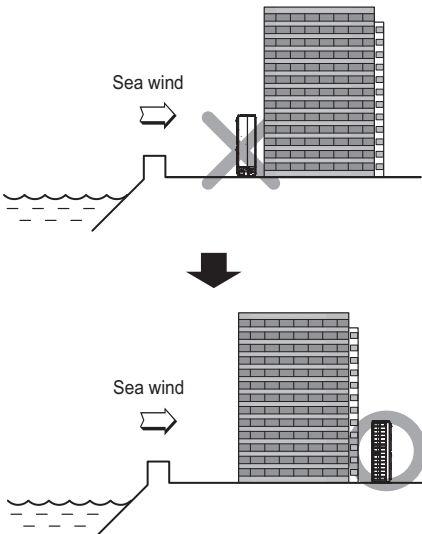
INSTALLATION GUIDE AT THE SEASIDE

NOTE

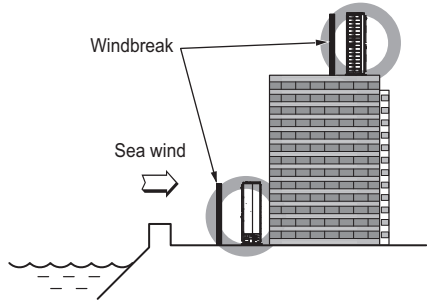
- Air conditioners should not be installed in areas where corrosive gases, such as acid or alkaline gas, are produced.
- Do not install the product where it could be exposed to sea wind (salty wind) directly. It can result corrosion on the product. Corrosion, particularly on the condenser and evaporator fins, could cause product malfunction or inefficient performance.
- If outdoor unit is installed close to the seaside, it should avoid direct exposure to the sea wind. Otherwise it needs additional anticorrosion treatment on the heat exchanger.

Selecting the location(Outdoor unit)

If the outdoor unit is to be installed close to the seaside, direct exposure to the sea wind should be avoided. Install the outdoor unit on the opposite side of the sea wind direction.



In case, to install the outdoor unit on the seaside, set up a windbreak not to be exposed to the sea wind.



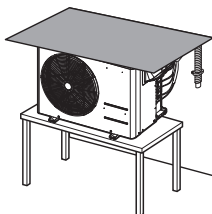
- It should be strong enough like concrete to prevent the sea wind from the sea.
- The height and width should be more than 150 % of the outdoor unit.
- It should be keep more than 70 cm of space between outdoor unit and the windbreak for easy air flow.

Select a well-drained place.

- Periodic (more than once/year) cleaning of the dust or salt particles stuck on the heat exchanger by using water

SEASONAL WIND AND CAUTIONS IN WINTER

- Sufficient measures are required in a snow area or severe cold area in winter so that product can be operated well.
- Get ready for seasonal wind or snow in winter even in other areas.
- Install a suction and discharge duct not to let in snow or rain.
- Install the outdoor unit not to come in contact with snow directly. If snow piles up and freezes on the air suction hole, the system may malfunction. If it is installed at snowy area, attach the hood to the system.
- Install the outdoor unit at the higher installation console by 50 cm than the average snowfall (annual average snowfall) if it is installed at the area with much snowfall.
- Where snow accumulated on the upper part of the Outdoor Unit by more than 10 cm, always remove snow for operation.



1. The height of H frame must be more than 2 times the snowfall and its width shall not exceed the width of the product. (If width of the frame is wider than that of the product, snow may accumulate)
2. Don't install the suction hole and discharge hole of the Outdoor Unit facing the seasonal wind.



US	Please call the installing contractor of your product, as warranty service will be provided by them.
CANADA	Service call Number # : (888) LG Canada, (888) 542-2623 Numéro pour les appels de service : LG Canada, 1-888-542-2623