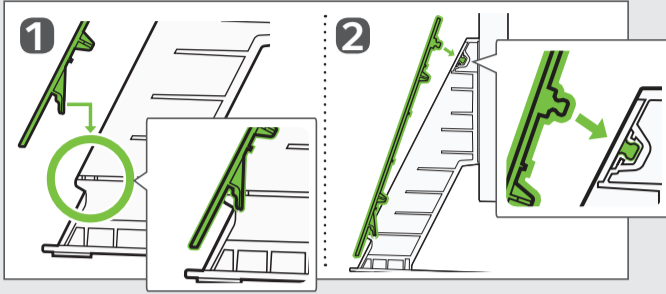
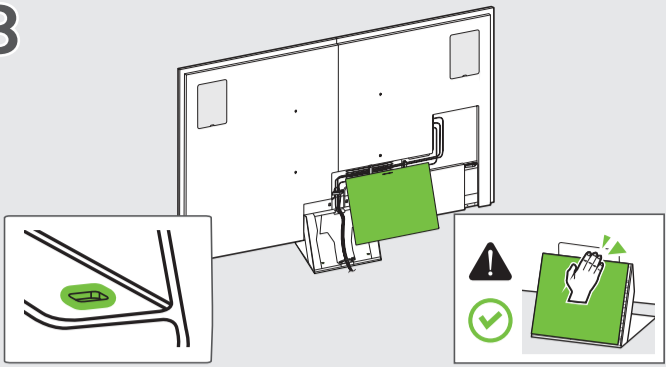
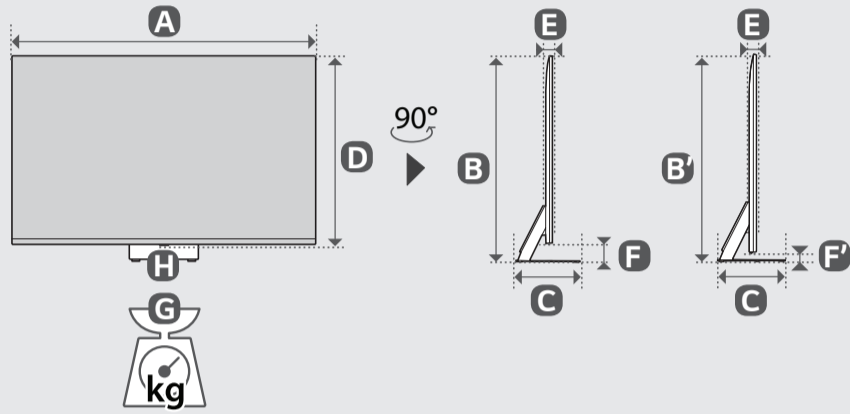
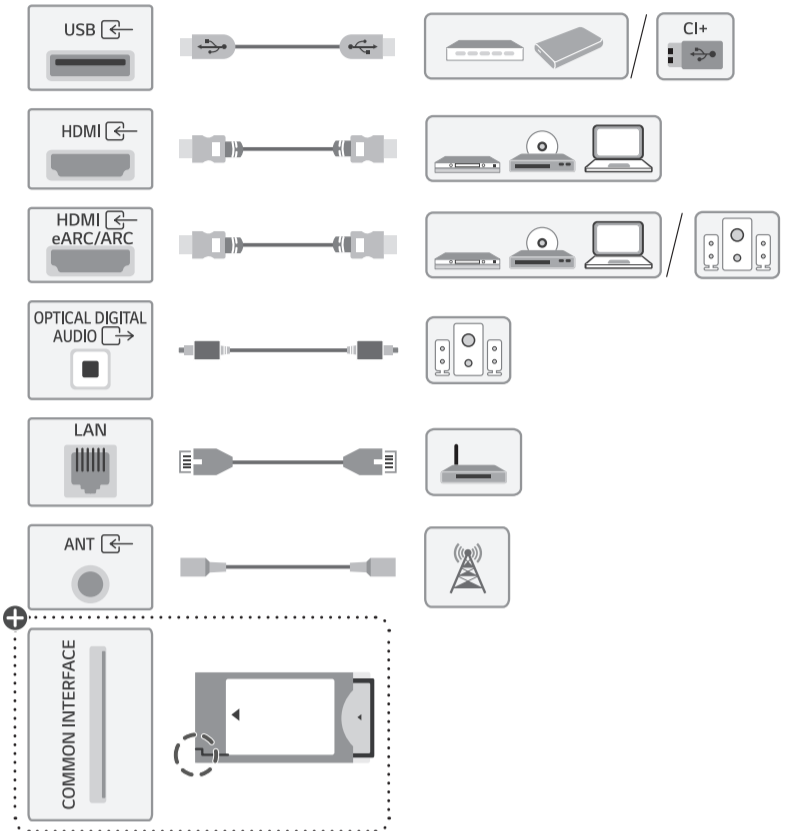
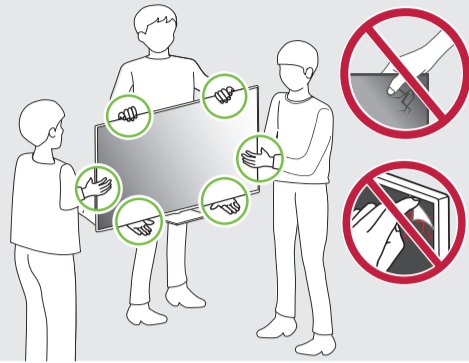
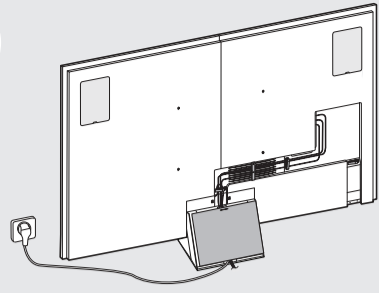


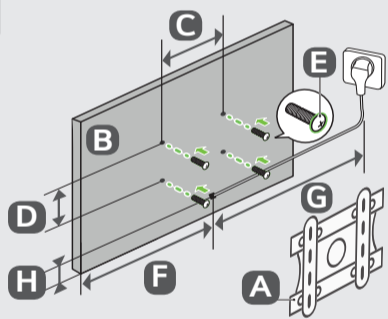
8



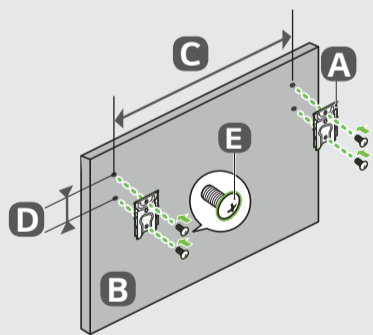
9



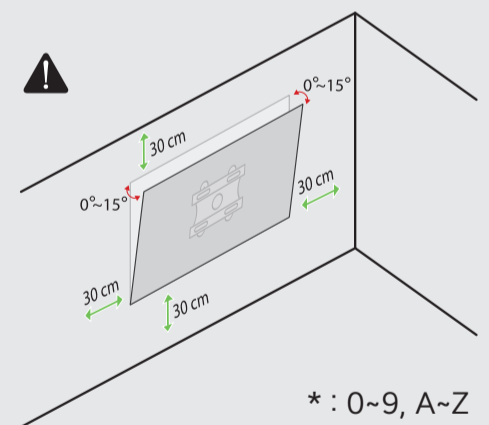
	(mm)						(kg)	
	A	B/B'	C	D	E	F/F'	G	G-H
100QNED87B*	2230	1372 / 1324	434	1277	49.9	95 / 47	75.6	65.9



A	B	C x D (mm)	E	F (mm)	G (m)	H (mm)
WB24GDB	100QNED87B*	600 x 400	M8	1070	≥ 1.5	232



A	B	C x D (mm)	E
WB22E97GB	100QNED87B*	1847.6 x 226	M8



* : 0~9, A~Z