



OWNER'S MANUAL

# Home Speaker System

Please read this manual carefully before operating  
your set and retain it for future reference.

MODEL  
RK1D



MFL70840204

[www.lg.com](http://www.lg.com)

Copyright © 2019 LG Electronics Inc. All Rights Reserved.

1905\_Rev01

## Safety Information



**CAUTION**  
RISK OF ELECTRIC SHOCK  
DO NOT OPEN



**CAUTION:** TO REDUCE THE RISK OF ELECTRIC SHOCK DO NOT REMOVE COVER (OR BACK) NO USER-SERVICEABLE PARTS INSIDE REFER SERVICING TO QUALIFIED SERVICE PERSONNEL

This lightning flash with arrowhead symbol within an equilateral triangle is intended to alert the user to the presence of uninsulated dangerous voltage within the product's enclosure that may be of sufficient magnitude to constitute a risk of electric shock to persons.



The exclamation point within an equilateral triangle is intended to alert the user to the presence of important operating and maintenance (servicing) instructions in the literature accompanying the product.



**WARNING:** TO PREVENT FIRE OR ELECTRIC SHOCK HAZARD, DO NOT EXPOSE THIS PRODUCT TO RAIN OR MOISTURE.

**CAUTION:** The apparatus should not be exposed to water (dripping or splashing) and no objects filled with liquids, such as vases, should be placed on the apparatus.

**WARNING:** Do not install this equipment in a confined space such as a book case or similar unit.

**CAUTION:** Do not use high voltage products around this product. (ex. Electrical swatter) This product may malfunction due to electrical shock.

**CAUTION:** Do not block any ventilation openings. Install in accordance with the manufacturer's instructions.

Slots and openings in the cabinet are provided for ventilation and to ensure reliable operation of the product and to protect it from over heating. The openings shall be never be blocked by placing the product on a bed, sofa, rug or other similar surface. This product should not be placed in a built-in installation such as a bookcase or rack unless proper ventilation is provided or the manufacturer's instruction has been adhered to.

**NOTICE:** For safety marking information including product identification and supply ratings, please refer to the main label on the bottom or the other surface of the product.

**CAUTION concerning the Power Cord**

The Power Plug is the disconnecting device. In case of an emergency, the Power Plug must remain readily accessible.

Check the specification page of this owner's manual to be certain of the current requirements.

Do not overload wall outlets. Overloaded wall outlets, loose or damaged wall outlets, extension cords, frayed power cords, or damaged or cracked wire insulation are dangerous. Any of these conditions could result in electric shock or fire. Periodically examine the cord of your device, and if its appearance indicates damage or deterioration, unplug it, discontinue use of the device, and have the cord replaced with an exact replacement part by an authorized service center. Protect the power cord from physical or mechanical abuse, such as being twisted, kinked, pinched, closed in a door, or walked upon. Pay particular attention to plugs, wall outlets, and the point where the cord exits the device.

This device is equipped with a portable battery or accumulator.

**How to Safely remove the batteries or the battery pack from the equipment:**

To Remove the old batteries or battery pack, follow the assembly steps in reverse order. To prevent contamination of the environment and bring on possible threat to human and/or animal health, the old batteries or the battery pack must be put in an appropriate container at designated collection points. Do not dispose of batteries or battery pack together with other waste. It is recommended that you use local, free reimbursement systems batteries or battery packs, (may not be available in your area). The batteries or the battery pack should not be exposed to excessive heat such as sunshine, fire or the like.

**CAUTION:** No naked flame sources, such as lighted candles, should be placed on the apparatus.

**Symbols**

~	Refers to alternating current (AC).
≡	Refers to direct current (DC).
⊞	Refers to class II equipment.
⏻	Refers to stand-by.
I	Refers to "ON" (power).
⚡	Refers to dangerous voltage.

# Table of Contents

## 1 Getting Started

---

- 2 Safety Information
- 6 Unique Features
- 7 Playable file Requirement
  - 7 – Music file requirement
  - 7 – Compatible USB Devices
  - 7 – USB device requirement
- 8 Remote control
- 10 Top / Front panel
- 11 Side / Rear panel

## 2 Connecting

---

- 13 Optional Equipment Connection
  - 13 – AUX IN Connection
  - 13 – PORT IN Connection
  - 13 – Listening to music from your portable player or external device
- 14 – USB Connection

## 3 Operating

---

- 15 Basic Operations
  - 15 – USB Operations
  - 16 – Selecting a folder and an MP3/WMA file
  - 17 Using BLUETOOTH® wireless technology
    - 17 – Listening to music stored on the Bluetooth devices
- 20 Radio Operations
  - 20 – Listening to the radio
  - 20 – Improving poor FM reception
  - 20 – Presetting the Radio Stations
  - 20 – Deleting all the saved stations
- 21 Sound adjustment
  - 21 – Setting the sound mode
- 21 Other Operations
  - 21 – Turn off the sound temporarily
  - 22 – Auto power down
  - 22 – AUTO POWER On
  - 23 – Auto function change

## **4 Troubleshooting**

---

- 24 Troubleshooting
- 24 – General

## **5 Appendix**

---

- 25 General specifications
- 26 Trademarks and Licenses
- 26 Maintenance
- 26 – Handling the Unit

1

2

3

4

5

## Unique Features

### **BLUETOOTH®**

Listens to music stored on your **Bluetooth** device.

### **Portable In**

Listens to music from your portable device. (MP3, Notebook, etc.)

# Playable file Requirement

## Music file requirement

MP3/WMA file compatibility with this unit is limited as follows.

- Sampling frequency : within 32 to 48 kHz (MP3), within 32 to 48 kHz (WMA)
- Bit rate : within 32 to 320 kbps (MP3), 40 to 192 kbps (WMA)
- Maximum files : 999
- Maximum folders : 99
- File extensions : ".mp3"/ ".wma"
- Certain MP3/WMA files may not be played depending on the type or format of the file.

## Compatible USB Devices

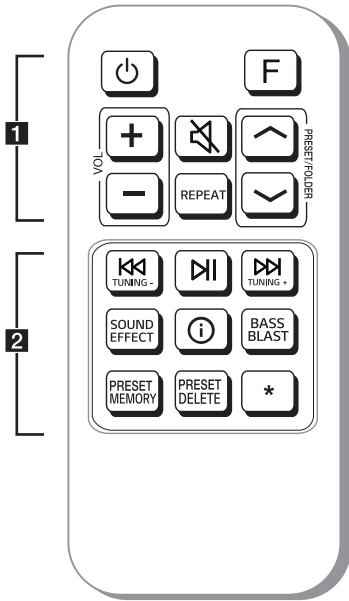
- MP3 Player : Flash type MP3 player.
- USB Flash Drive :  
Devices that support USB2.0 or USB1.1.
- The USB function of this unit does not support all USB devices.

## USB device requirement

- Devices which require additional program installation when you have connected it to a computer, are not supported.
- Do not extract the USB device while in operation.
- For a large capacity USB, it may take longer than a few minute to be searched.
- To prevent data loss, back up all data.
- If you use a USB extension cable or USB hub, the USB device is not recognized.
- Using NTFS file system is not supported. (Only FAT(16/ 32) file system is supported.)
- This unit recognizes up to 999 files.
- External HDD, Card readers, Locked devices, or hard type USB devices are not supported.
- USB port of the unit cannot be connected to PC. The unit cannot be used as a storage device.
- Some USB may not work with this unit.

# Remote control

1 Getting Started



.....**1**.....  
 ⏻ (Standby) : Turns the power on or off.

**F** (Function) : Selects the function and input source.

Input source / Function	Display
USB	USB
AUX input	AUX
Portable input	PORTABLE
<b>Bluetooth</b>	BT
Radio	FM

**VOL** (Volume) +/- : Adjusts speaker volume.

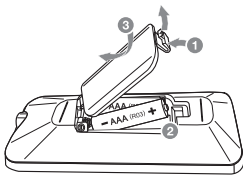
**⏻** (Mute) : Mutes the sound.

**REPEAT** : Listens to your files repeatedly or randomly.

**PRESET/FOLDER**  $\wedge$ / $\vee$  :

- Chooses a preset number for a radio station.
- Searches for a folder of MP3/WMA files. When a USB containing MP3/WMA files in several folders is being played, press **PRESET/FOLDER**  $\wedge$ / $\vee$  to select the folder you want to play.

## Replacement of battery



Remove the battery cover on the rear of the remote control, and insert the battery with  $\oplus$  and  $\ominus$  matched correctly.

..... **2** .....

**TUNING-/+** : Selects the radio stations.

**⏮ / ⏭** (Skip/Search)

- Skips backward or forward.
- Searches for a section within a file.

**⏸** (Play/Pause)

- Starts or pauses playback.
- Selects stereo/mono.

**SOUND EFFECT** : Chooses sound impressions.

**i** (Information) :

- Sees information about your music. An MP3 file often come with ID3 tag. The tag gives the Title, Artist, Album or Time information.
- Sees **Bluetooth** device name of the unit in BT READY.
- Sees the name of connected all **Bluetooth** device in **Bluetooth** mode.

**BASS BLAST** (or **BASS BLAST+**) : Press to select BASS effect directly.

**PRESET MEMORY** : Stores radio stations.

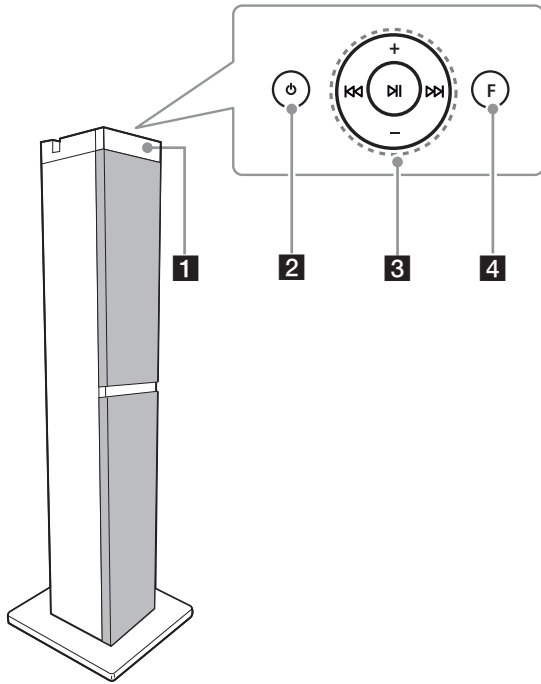
(Page 20.)

**PRESET DELETE** : Deletes all the saved stations.

(Page 20.)

**★** :This button is not available.

# Top / Front panel



**1** Display window

**2** ⏻ (Standby)  
Turns the power on or off.

**3** ⏮/⏭ (Skip/Search)  
- Skips backward or forward.  
- Searches for a section within a file.  
- Selects the radio stations.

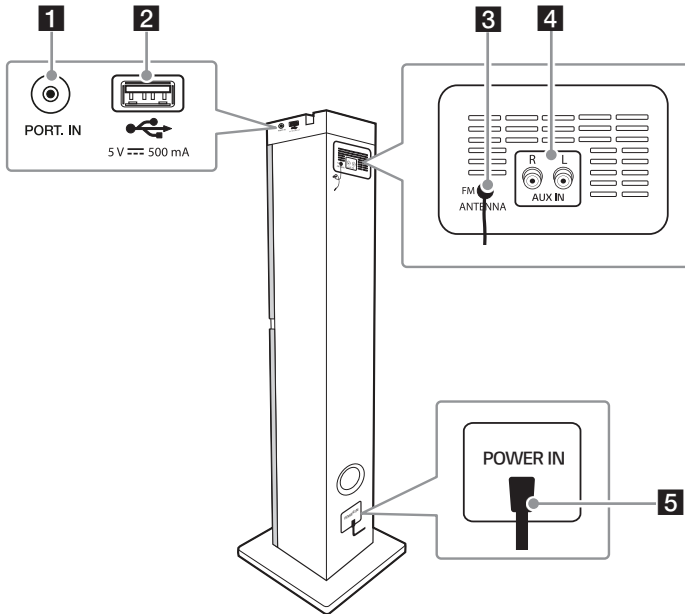
+/-  
Adjusts speaker volume.

⏸ (Play/Pause)  
- Starts or pauses playback.  
- Selects stereo/mono.

**4** F (Function)  
Selects the function and input source.

Input source / Function	Display
USB	USB
AUX input	AUX
Portable input	PORTABLE
<b>Bluetooth</b>	BT
Radio	FM

## Side / Rear panel



**1** PORT. (Portable) IN jack

**2** USB Port

You can play sound files by connecting the USB device.

**3** FM ANTENNA

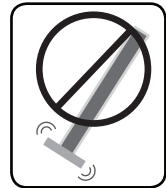
**4** AUX IN (L/R)

Connect an auxiliary device.

**5** POWER IN

### Caution

Be careful that the speaker does not fall down. Otherwise it may result in the speaker malfunction and cause personal injury and/ or property damage.



## Useful functions for using the unit

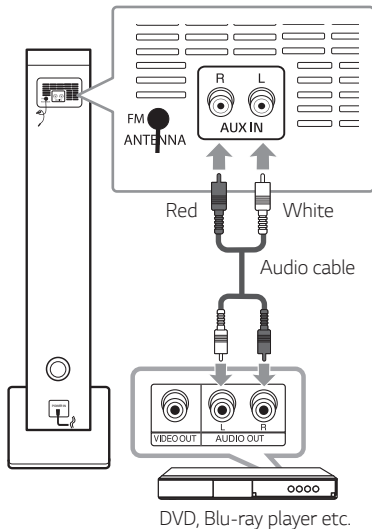
Function	Description	To do	Do this
BT Lock On/Off (Page 18)	It allows you to connect a <b>Bluetooth</b> device only on BT ( <b>Bluetooth</b> ) functions. Initial setting of this function was set to off.	ON	Press and hold <b>⏻</b> for 5 seconds in BT ( <b>Bluetooth</b> ) function.
		OFF	Press and hold <b>⏻</b> for 5 seconds in BT ( <b>Bluetooth</b> ) function.
Auto Power On (Page 22)	It allows the unit to turn on automatically by input signals : BT ( <b>Bluetooth</b> )	ON	Turn off the unit by pressing <b>⏻</b> on the unit for 5 seconds.
		OFF	Turn off the unit by pressing <b>⏻</b> on the unit for 5 seconds.

## Optional Equipment Connection

### AUX IN Connection

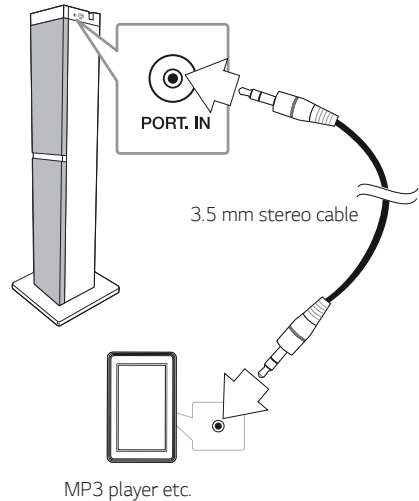
Connect an output of auxiliary device (Camcorder, TV, Player, etc) to the **AUX IN** (L/R) connector.

If your device has only one output for audio (mono), connect it to the left (white) audio jack on the unit.



### PORT. IN Connection

Connect an output (earphone or line out) of portable device (MP3 or PMP etc) to the **PORT. IN** (3.5 mm) connector.




### Listening to music from your portable player or external device

The unit can be used to play the music from many types of portable player or external device.

1. Connect the portable player to the **PORT. IN** connector of the unit.

Or

Connect the external device to the **AUX IN** connector of the unit.

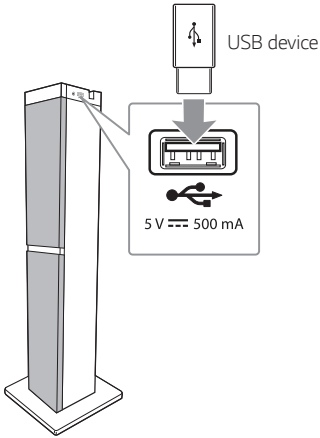
2. Turn the power on by pressing .
3. Press **F** to select AUX or PORTABLE function.
4. Turn on the portable player or external device and start it playing.

#### Note

Automatically switches to the **PORTABLE** function when you connect the portable device to the **PORT. IN** connector.

## USB Connection

Connect a USB device (or MP3 player, etc.) to the USB port on the unit.



### ! Note

Removing the USB device from the unit :

1. Choose a different function/mode.
2. Remove the USB device from the unit.

# Basic Operations

## USB Operations

1. Connect the USB device to the USB port.
2. Select USB function by pressing F.

To	Do this
Playback	Press <b>▶II</b> .
Pause	Press <b>▶II</b> during playback.
Searching for a section within a file	Press and hold <b>⏮/▶II</b> during playback and release it at the point you want to listen to.
Skipping to the next/previous file	Press <b>▶II</b> to go to the next file.
	Playing less than 3 seconds, press <b>⏮</b> to go to the previous file. Playing after 3 seconds, press <b>⏮</b> to go to the beginning of the file.
Playing repeatedly or randomly	Press <b>REPEAT</b> on the remote control repeatedly. Refer to the note for details about the display change.

### Caution

- Do not extract the USB device during operation. (play, etc.)
- Regular back up is recommended to prevent data loss.

### Note

- Repeat/Shuffle playback operates as follows.

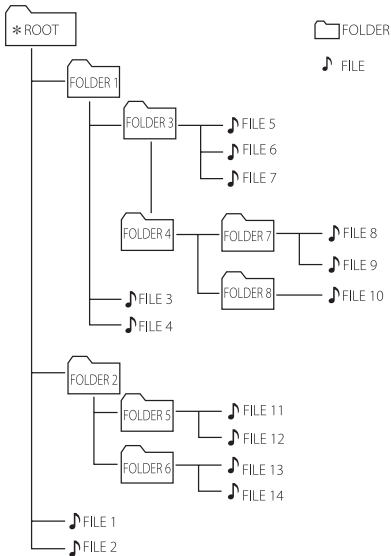
On Display	Description
OFF	Plays songs in order, and stops the playback.
ONE	Plays a same song repeatedly
ALL	Plays all the songs repeatedly.
SHUFFLE	Plays all the songs once randomly, and stops the playback.

## Selecting a folder and an MP3/WMA file

1. Press **PRESET/FOLDER**  $\wedge/\vee$  repeatedly on the remote control until a desired folder appears.
2. Press **▶** to play it.  
The first file of folder will be played.

### ! Note

- USB Files are recognized as below.



- Folders will be presented as the following order,  
ROOT → FOLDER 1 → FOLDER 3 →  
FOLDER 7 → FOLDER 8 → FOLDER 5 →  
FOLDER 6
- File will be played from  $\text{♪}$  file No.1 to  $\text{♪}$  file No.14 one by one.
- Files will be presented in order recorded and may be presented differently according to the record circumstances.

\*ROOT : the first screen you can see when a computer recognize the USB is "ROOT"

# Using BLUETOOTH® wireless technology

## About Bluetooth

**Bluetooth** is wireless communication technology for short range connection.

The sound may be interrupted when the connection interfered by the other electronic wave or you connect the **Bluetooth** in the other rooms.

Connecting individual devices under **Bluetooth** wireless technology does not incur any charges. A mobile phone with **Bluetooth** wireless technology can be operated via the Cascade if the connection was made via **Bluetooth** wireless technology.

- Available Devices : Smart phone, MP3, Notebook, etc.
- Version : 4.1
- Codec : SBC

## Bluetooth Profiles

In order to use **Bluetooth** wireless technology, devices must be able to interpret certain profiles. This unit is compatible with following profile.

A2DP (Advanced Audio Distribution Profile)

# Listening to music stored on the Bluetooth devices

## Pairing your unit and Bluetooth device

Before you start the pairing procedure, make sure the **Bluetooth** feature is activated on your **Bluetooth** device. Refer to your **Bluetooth** device's user guide. Once a pairing operation is performed, it does not need to be performed again.

1. Turn on the unit.

### ! Note

When Bluetooth connection lock is activated, you can search **Bluetooth** device in BT function.

2. Operate the **Bluetooth** device and perform the pairing operation. When searching for this unit with the **Bluetooth** device, a list of the devices found may appear in the **Bluetooth** device display depending on the type of **Bluetooth** device. Your unit appears as "LG-RK1D(XX)".

### ! Note

- XX means the last two digits of **Bluetooth** address. For example, if your unit has a **Bluetooth** address such as 9C:02:98:4A:F7:08, you will see "LG-RK1D(08)" on your **Bluetooth** device.
- Depending on the **Bluetooth** device type, some devices may have a different pairing process. Enter the PIN code (0000) as needed.
- You can connect this unit with up to 2 **Bluetooth** phones simultaneously using the same method as described above, only in the **Bluetooth** function.
- The multi phone pairing connection is only supported on Android devices. (Multi phone pairing connection may not be supported depending on the connected device specifications.)
- During multi phone pairing connection, phones are muted.
- Removable/detachable Bluetooth devices (Ex: Dongle etc.) will not support multi phone pairing.

3. When this unit is successfully connected with your **Bluetooth** device, "PAIRED" appears on the display window and change to **Bluetooth** device name soon. Then "BT" will appear on the display window.

**! Note**

- "PAIRED" will momentarily appear on the display when you connect other devices for multi pairing.
- If the device name is unavailable, "-" will be displayed.

4. Listen to music.  
To play a music stored on your **Bluetooth** device, refer to your **Bluetooth** device's user guide.

**! Note**

- When using **Bluetooth** technology, you have to make a connection between the unit and the **Bluetooth** device as close as possible and keep the distance.  
However, it may not work well in certain situations as described below :
  - There is an obstacle between the unit and the **Bluetooth** device.
  - There is a device using same frequency with **Bluetooth** technology such as a medical equipment, a microwave or a wireless LAN device.
- You should connect your **Bluetooth** device to this unit again when you restart it.
- Even if this unit connected up to 2 **Bluetooth** devices in the **Bluetooth** mode, you can play and control music by using only one of the connected devices.

## Bluetooth connection lock (BT LOCK)

You can limit **Bluetooth** connection to only BT (**Bluetooth**) function to prevent unintended **Bluetooth** connection.

To turn on this function, press and hold **DI** for about 5 seconds in BT (**Bluetooth**) function.  
"ON - BT LOCK" appears then you can limit **Bluetooth** connection.

To turn off this function, press and hold **DI** for about 5 seconds in BT (**Bluetooth**) function.  
"OFF - BT LOCK" appears.

**! Note**

Even if you set up Bluetooth connection lock to On, this unit turns on by Auto Power function.  
Turn off Auto Power function to prevent it.

 **Note**

- The sound may be interrupted when the connection has interference from other electronic devices.
- Depending on the type of the device, you may not be able to use the **Bluetooth** function.
- You can enjoy wireless system using phone, MP3, Notebook, etc.
- The more distance between the unit and the **Bluetooth** device, the lower the sound quality becomes.
- **Bluetooth** connection will be disconnected when the unit is turned off or the **Bluetooth** device gets far from the unit.
- When **Bluetooth** connection is disconnected, connect the **Bluetooth** device to the unit again.
- When a **Bluetooth** device is not connected, "READY" appears on the display window.
- When you use the **Bluetooth** function, adjust the volume to a proper level on the **Bluetooth** device.
- When entering **Bluetooth** function, this unit automatically connect to **Bluetooth** device which is connected the last or playbacked the last. (Auto connection may not be supported depending on the connected device specifications.)

## Radio Operations

Be sure to fully extend the FM wire antenna.

### Listening to the radio

1. Press **F** until FM appears in the display window. The last received station is tuned in.
2. Auto tuning :  
Press and hold **TUNING-/+** on the remote control or **⏮/⏭** on the unit for about two seconds until the frequency indication starts to change, then release. Scanning stops when the unit tunes in a station.  
  
Or  
Manual tuning :  
Press **TUNING-/+** on the remote control or **⏮/⏭** on the unit repeatedly.
3. Adjust the volume by pressing **VOL +/-** on the remote control or pressing **+/-** on the unit repeatedly.

### Improving poor FM reception

Press **DI**. This will change the tuner from stereo to mono and usually improve the reception.

### Presetting the Radio Stations

You can preset 50 stations for FM.

Before tuning, make sure to turn down the volume.

1. Press **F** until FM appears in the display window.
2. Select the desired frequency by pressing **TUNING-/+** on the remote control or **⏮/⏭** on the unit.
3. Press **PRESET MEMORY** on the remote control. A preset number will blink in the display window.
4. Press **PRESET/FOLDER ^/V** on the remote control to select the preset number you want.
5. Press **PRESET MEMORY** on the remote control. The station is stored.
6. Repeat steps 2 to 5 to store other stations.
7. To listen a preset station, press **PRESET/FOLDER ^/V** on the remote control.

### Deleting all the saved stations

1. Press **PRESET DELETE** on the remote control. "DEL", "ALL" will flash up alternately on the unit display.
2. Press **PRESET DELETE** on the remote control to erase all the saved radio stations. "DELETED ALL" will be displayed on the unit display.

## Sound adjustment

### Setting the sound mode

This system has a number of pre-set surround sound fields. The displayed items for the equalizer may be different depending on sound sources and effects.

You can select a desired sound mode by using **SOUND EFFECT** or **BASS BLAST** (or **BASS BLAST+**) on the remote control.

On Display	Description
BASS (BASS BLAST) or BASS+ (BASS BLAST+)	Reinforces the bass and powerful sound.
POP CLASSIC ROCK JAZZ	This program lends an enthusiastic atmosphere to the sound, giving you the feeling you are at an actual rock, pop, jazz or classic concert.
STANDARD	You can enjoy optimized sound.

#### Note


You can directly select BASS (BASS BLAST) effect by pressing **BASS BLAST**.

## Other Operations

### Turn off the sound temporarily

Press  on the remote control to mute your sound.

You can mute your unit, for example, to answer the telephone, the "MUTE" will blink in the display window.

To cancel it, press  on the remote control again or change the volume level.


## Auto power down

This unit will turn itself off to save electricity in the case where the main unit is not connected to an external device and is not used for 15 minutes. The unit will also turn itself off after six hours if the main unit has been connected to another device using the analog inputs.

## AUTO POWER On

This unit automatically turns on by an input source : **Bluetooth**

If you try to connect your **Bluetooth** device, this unit turns on and connects your **Bluetooth** device. You can play your music.

When you turn off this unit by pressing  on the unit for 5 seconds each time, you can turn on or off the AUTO POWER function.

On Display	Description
ON-AUTO POWER	AUTO POWER function is turned on.
OFF-AUTO POWER	AUTO POWER function is turned off.

### Note

- Depending on the connected device, this function may not operate.
- Depending on the connected device, the unit turns on but **Bluetooth** function may not be connected.
- If you disconnect **Bluetooth** connection by this unit, some **Bluetooth** devices try to connect to the unit continually. Therefore it is recommended to disconnect the connection before turning off the unit.
- If you turn on the unit using **Bluetooth** function, proper function of this unit is turned on.
- If you have already paired with this unit, this unit can automatically turn on by an input source when this unit is turned off.

## Auto function change

This unit recognizes input signals such as **Bluetooth** or connected portable device, and then automatically changes to the suitable function.

### When you try to connect Bluetooth device

When you try to connect your **Bluetooth** device to this unit, **Bluetooth** function is selected.  
Play your music on the **Bluetooth** device.

### When 3.5 mm stereo cable is connected

When you connect the portable device to the **PORT.IN** connector, **PORTABLE** function is selected.  
Play your music on the portable device.

#### Note

- This function only works with devices that were previously connected.
- If the **Bluetooth** connection lock function is set, **Bluetooth** connection will be only available on **Bluetooth** function.

# Troubleshooting

## General


Problem	Cause & Solution
The unit does not work properly	<ul style="list-style-type: none"> <li>• Turn off the power of this unit and the connected external device (TV, Woofer, DVD-player, Amplifier, etc.) and turn them on again.</li> <li>• Disconnect the power cord of this unit and the connected external device (TV, Woofer, DVD-player, Amplifier, etc.) and then try connecting again.</li> <li>• Previous setting may not be saved when device power is shut off.</li> </ul>
No Power	<ul style="list-style-type: none"> <li>• The power cord is not plugged in. Plug in the power cord.</li> <li>• Check whether electricity failed. Check the condition by operating other electronic devices.</li> </ul>
No sound	<ul style="list-style-type: none"> <li>• Check whether you select right function. Press function button and check the selected function.</li> </ul>
Radio stations cannot be tuned in properly	<ul style="list-style-type: none"> <li>• The signal strength of the radio station is too weak. Tune to the station manually.</li> <li>• No stations have been preset or preset stations have been cleared (when tuning by scanning preset channels). Preset some radio stations, see page 20 for details.</li> </ul>
The remote control does not work properly	<ul style="list-style-type: none"> <li>• The remote control is too far from the unit. Operate the remote control within about 7 m (23 feet).</li> <li>• There is an obstacle in the path of the remote control and the unit. Remove the obstacle.</li> <li>• The batteries in the remote control are exhausted. Replace the batteries with new ones.</li> </ul>

## General specifications

General	
Power requirements	Refer to the main label on the unit.
Power consumption	Refer to the main label on the unit.
Dimensions (W x H x D)	Approx. 235 mm x 947 mm x 250 mm
Operating temperature	15 °C to 35 °C
Operating humidity	60 %

Inputs	
Analog audio in (AUX IN)	0.6 Vrms (1 kHz, 0 dB), 600 $\Omega$ , RCA jack (L, R) .
Portable in (PORT. IN)	0.4 Vrms (3.5 mm stereo jack) x 1

Tuner	
FM Tuning Range	87.5 to 108.0 MHz or 87.50 to 108.00 MHz

System	
Frequency Response	40 to 20,000 Hz
Signal-to-noise ratio	More than 75 dB
Dynamic range	More than 80 dB
Bus Power Supply (USB)	5 V  500 mA

Amplifier (RMS Output power)	
Total output	60 W RMS
Front	15 W RMS X 2 (3 $\Omega$ at 1 kHz, 10 % THD)
Sub Woofer	30 W RMS X 1 (4 $\Omega$ at 1 kHz, 10 % THD)

- Design and specifications are subject to change without notice.

## Trademarks and Licenses



The **Bluetooth**® word mark and logos are registered trademarks owned by the **Bluetooth** SIG, Inc. and any use of such marks by LG Electronics is under license.

Other trademarks and trade names are those of their respective owners.”

## Maintenance

### Handling the Unit

#### When shipping the unit

Please save the original shipping carton and packing materials. If you need to ship the unit, for maximum protection, re-pack the unit as it was originally packed at the factory.

#### Keeping the exterior surfaces clean

Do not use volatile liquids such as insecticide spray near the unit. Wiping with strong pressure may damage the surface. Do not leave rubber or plastic products in contact with the unit for a long period of time.

#### Cleaning the unit

To clean the player, use a soft, dry cloth. If the surfaces are extremely dirty, use a soft cloth lightly moistened with a mild detergent solution. Do not use strong solvents such as alcohol, benzene, or thinner, as these might damage the surface of the unit.

