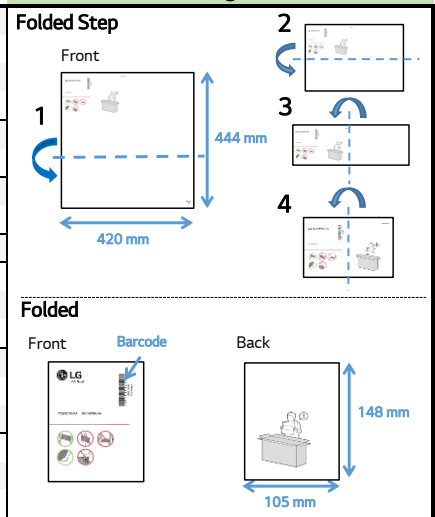


Printing Specification

1. Specification

Models	1. Model Name:	75QNED99VPA
	2. Suffix:	MA
	3. Part No:	MFL71802112
	4. REV	REV02
SIZE	5. Number of pages	24
	6. Folded/Unfolded	4 Folded
	7. Trim size (W x H)_Unfolded (mm)	420 x 444
	8. Trim size (W x H)_folded (mm)	105 x 148
COVER	9. Bindery	-
	10. Color (Cover)	-
	11. Paper (Cover)	-
	12. Weight (cover) (g/m ²)	-
INNER	13. Color (inner)	4
	14. Paper (inner)	Wood free
	15. Weight (inner) (g/m ²)	80
	16. Coating	No
	17. Thomson	No
	18. Sub-material	No
	19. Languages	ENG/FRE/POR/THA/VI/ARA (6)

1.1 Folding / Cover

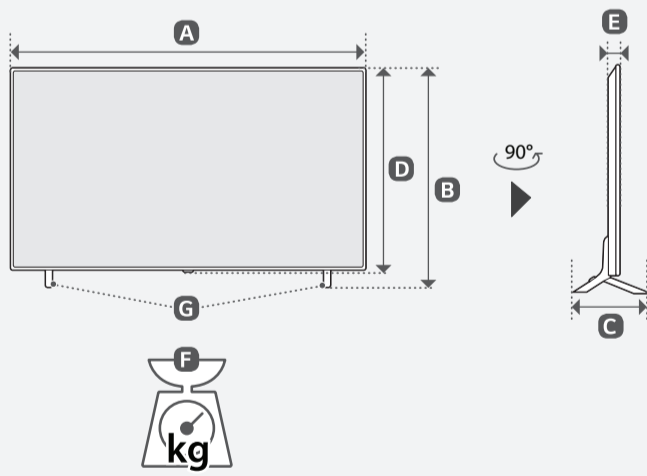
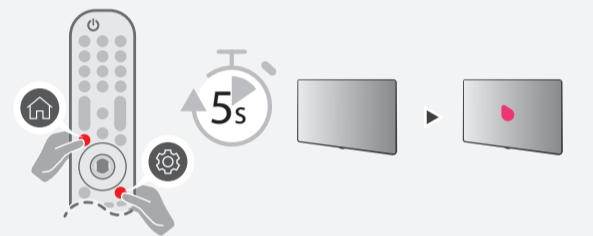
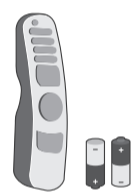
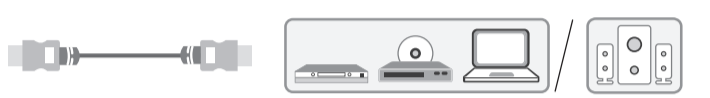
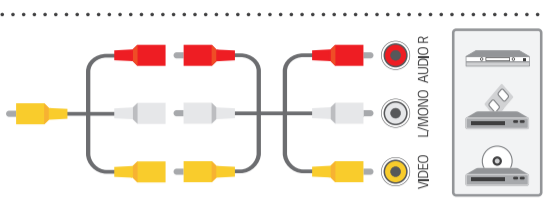
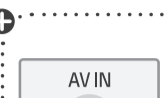
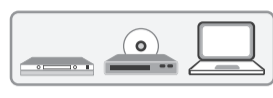
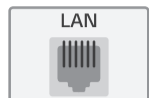
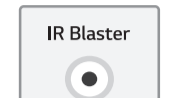


2. Origin Notification

<p>www.lg.com</p> <p>P/No : MFL69707613 (1708-REV03)</p> <p>Printed in Korea ←</p> <p>Copyright © 2017 LG Electronics Inc. All Rights Reserved.</p>	<p>Changes the Country name.</p> <p>Printed in [Country Name]</p>	<p>[Country Name]</p> <p>LGERS/ LGEMX : Mexico</p> <p>LGEKR: Korea</p> <p>LGEMA: Poland</p> <p>LGEND: China</p> <p>Others: Each Country name.</p>
NOTE	<p>[Restriction of Hazardous Substances]</p> <p>Hazardous substances on this product should be satisfied by substance regulation of Level A-I, A-II, SVHC according to LG(52)B-5011 standard. Especially, Part should be followed and controlled the following specification.</p> <p>(1) Hazardous substances test report should be submitted when part certification test and first mass production.</p> <p>(2) Especially, Don't use or contain lead (Pb) and cadmium (Cd) in ink.</p>	

3. History

Rev. Number	Date	Description	ECO Number	Owner
REV07				
REV06				
REV05				
REV04				
REV03				
REV02	05/21/2021	- Requested by Mechanical team, updated contents of unpacking guide. (RMS_1007)	EKLL500259	Bohyeon.Yu
REV01	04/13/2021	- Deleted the H/P port of QNED series. - Depending on the LCM issue, Updated the depth of the set for 75QNED*.	EKLL400133	Bohyeon.Yu
REV00	03/15/2021	-	-	Checked Approved Taeho.Bae Jongok.Kim
Rev. Number	Date	Description	ECO Number	Owner
				Bohyeon.Yu



	A	B	C	D	E	F	F-G
	(mm)					(kg)	
75QNED95VPA	1665	1022	359	958	29.5	38.2	37.2
75QNED99VPA	1665	1022	359	958	29.5	38.2	37.2
86QNED99VPA	1917	1162	359	1098	29.9	55.9	54.9
Power requirement / متطلبات الطاقة / Alimentation / Requisito de alimentação / แรงดันและความถี่ไฟฟ้า / Nguồn điện yêu cầu						AC 100-240 V - 50 / 60 Hz تيار متردد 240-100 فولت ~ 60 / 50 هرتز	



English

- Read **Safety and Reference**.
- The Analog Gender adapter can be purchased separately at Customer Service.

Français

- Lire le document **Sécurité et référence**.
- L'adaptateur analogique peut être acheté séparément auprès du SAV.

Português

- Consulte o manual **Segurança e referência**.
- O adaptador analógico pode ser comprado em separado no Serviço de Apoio ao Cliente da LG.

ภาษาไทย

- โปรดอ่านคู่มือใช้ความปลอดภัยและการอ้างอิง
- สายรวมสัญญาณ Component และ AV สามารถซื้อแยกต่างหากได้ที่ศูนย์บริการของบริษัท

Tiếng Việt

- Đọc phần **An toàn và Tham khảo**.
- Đầu chuyển tín hiệu analog có thể mua riêng tại Trung tâm chăm sóc khách hàng của LG.

العربية

- قراءة الأمان والمرجع.
- يمكن شراء النوع للتناظر بشكل منفصل من دعم عملاء LG.

⊕ : Depending on model / حسب الطراز / Selon le modèle / Dependendo do modelo / ขึ้นอยู่กับรุ่น / Tùy theo mã sản phẩm