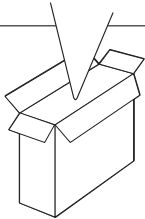
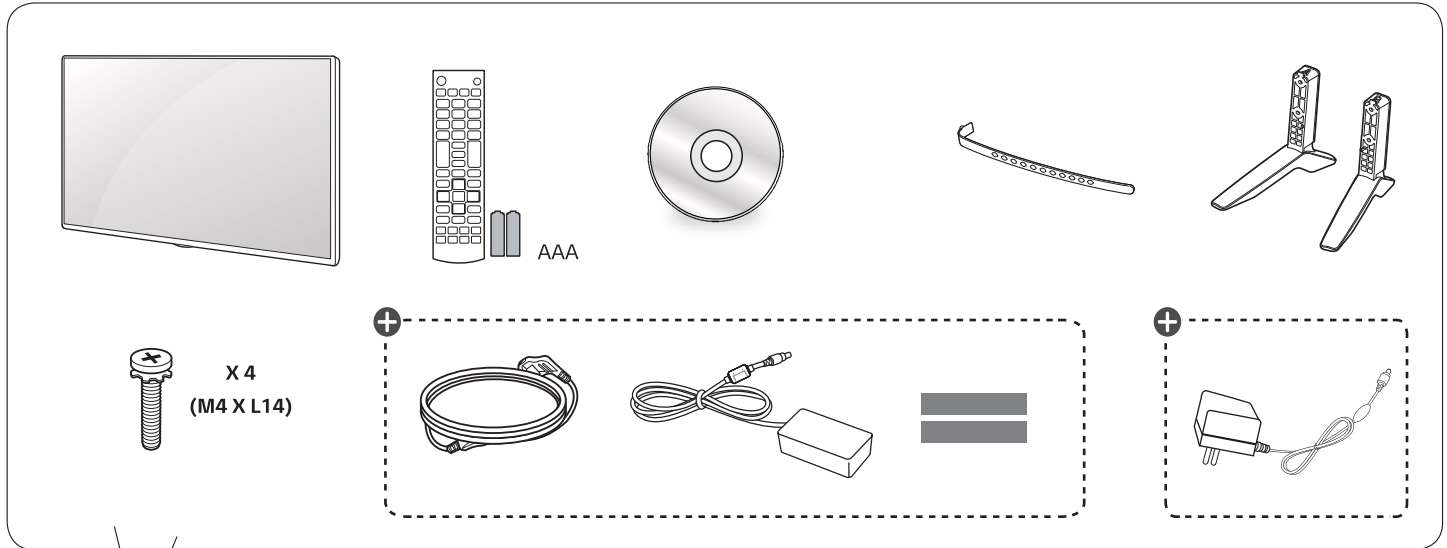


# Quick Start Guide



[www.lg.com](http://www.lg.com)



⊕ : Depending on model & country

## Unpacking

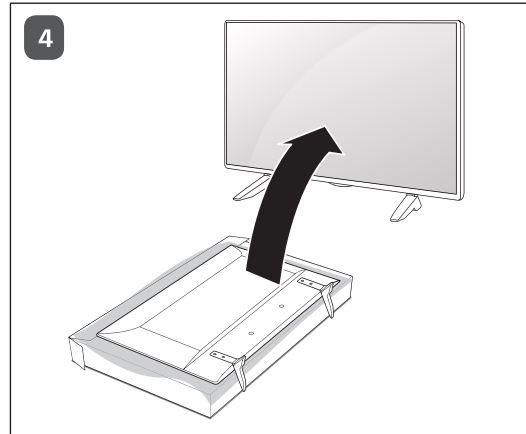
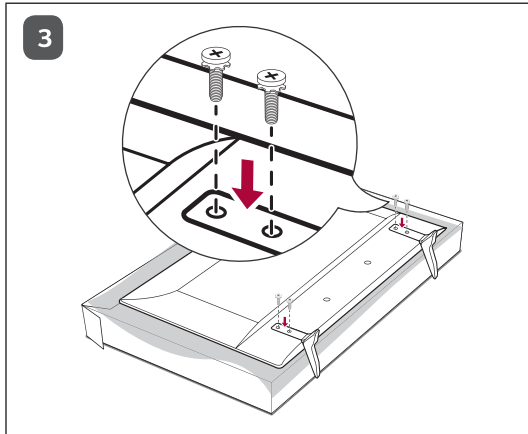
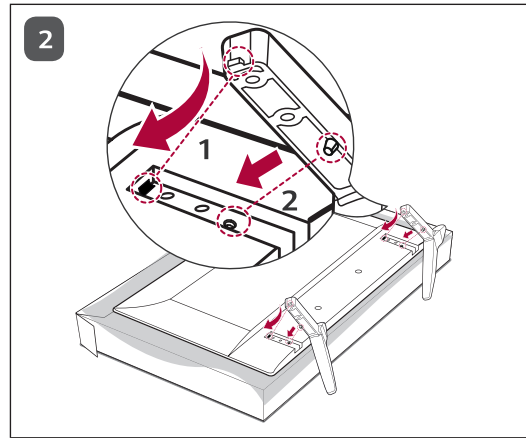
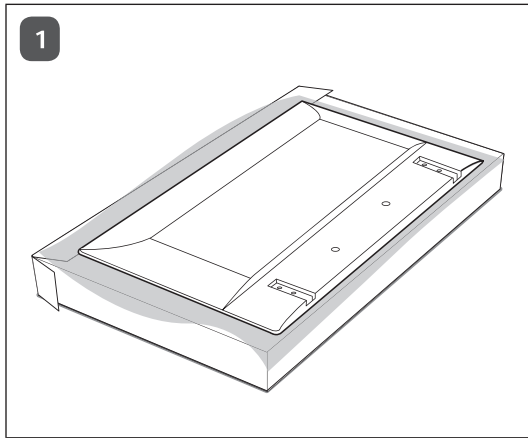
Check your product box for the following items. If there are any missing accessories, contact the local dealer where you purchased your product. The illustrations in this manual may differ from the actual product and item.



## English

- Read **Safety and Reference**.
- For the power supply and power consumption, refer to the label attached to the product.

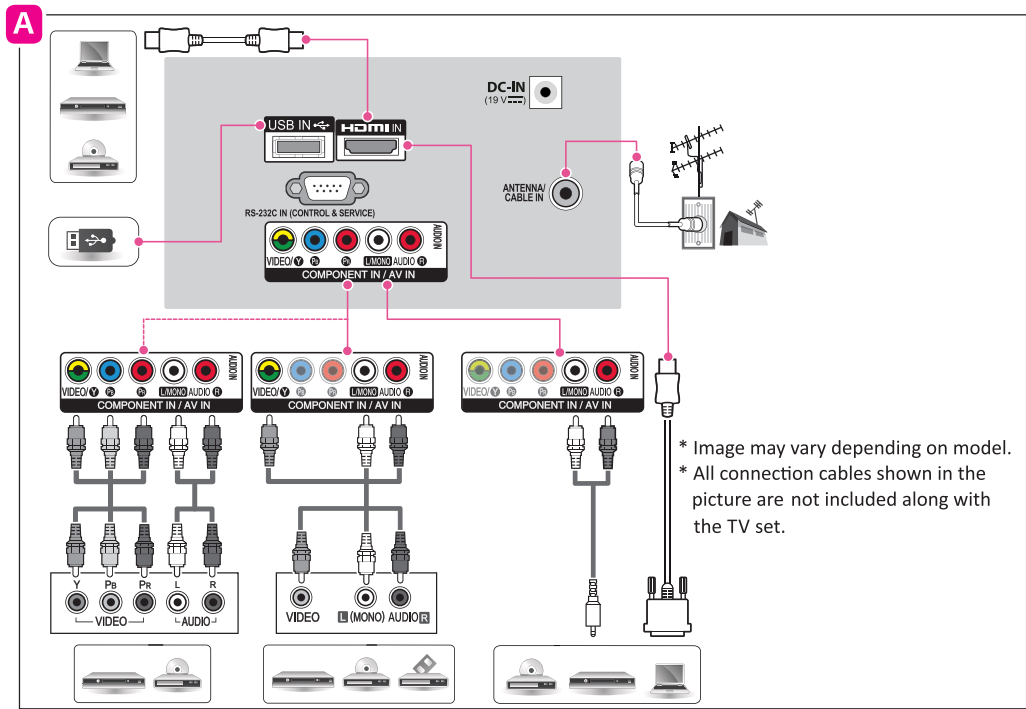
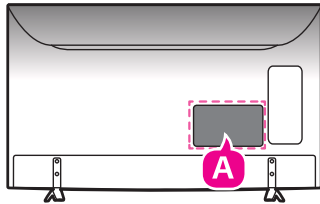
1



**CAUTION**

- When attaching the stand to the TV set, place the screen facing down on a cushioned table or flat surface to protect the screen from scratches.

2

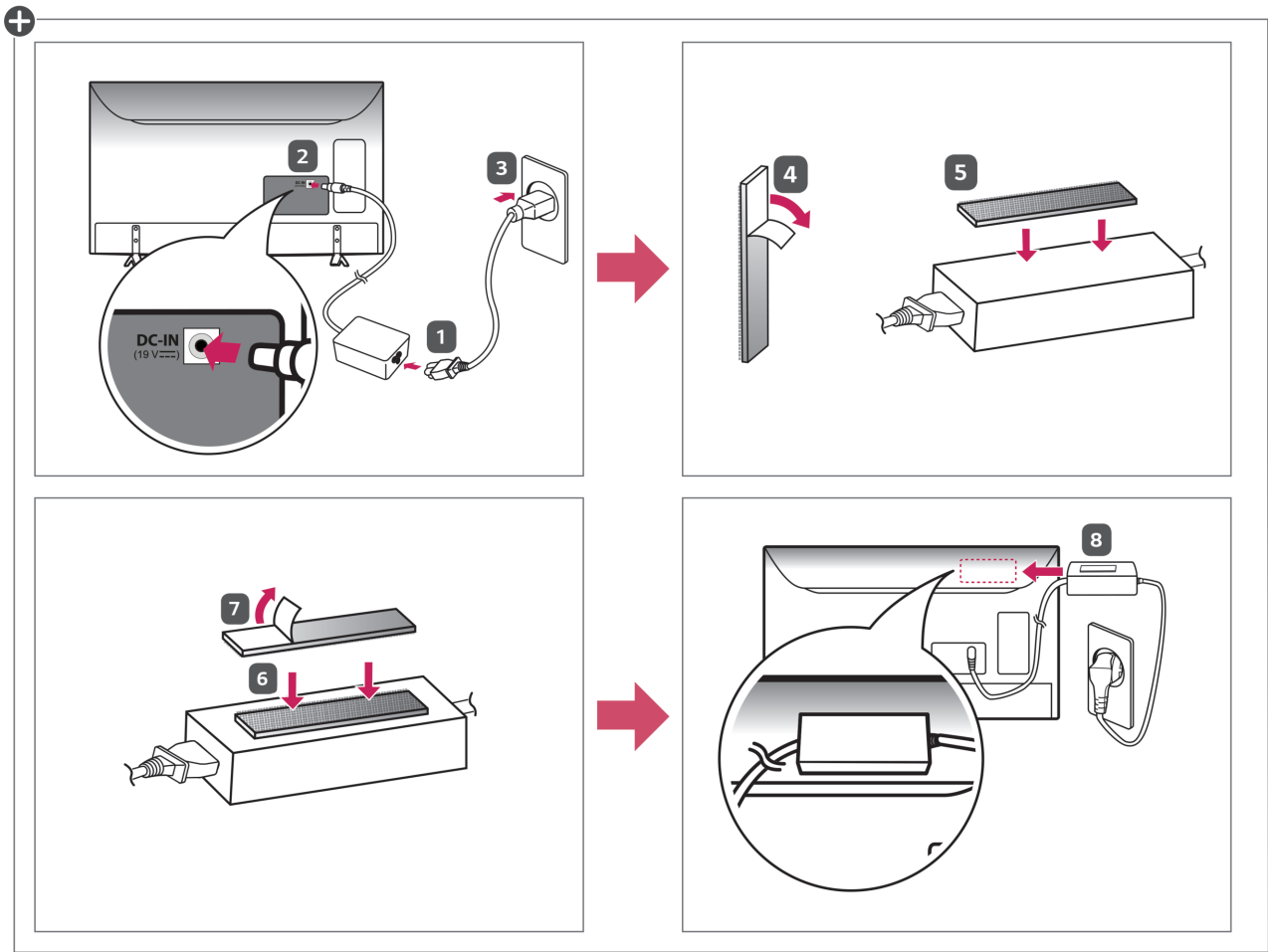


## (1) USB Connection

### ! NOTE

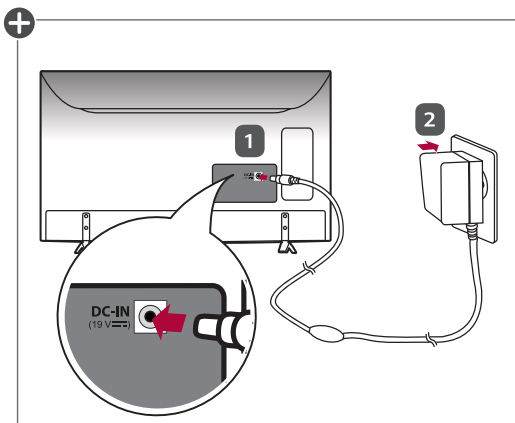
Connect a USB storage device such as a USB flash memory, external hard drive, or a USB memory card reader to the TV and access the Entertainment menu to use various multimedia files.

# 3



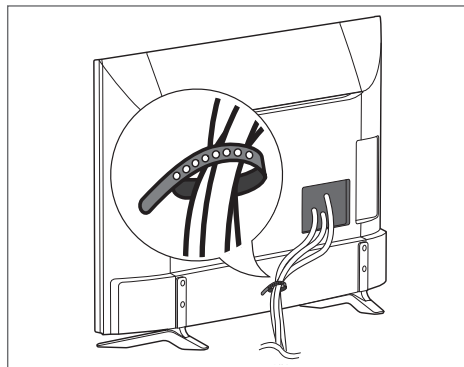
+ : Depending on model & country

\* Image may vary depending on model.

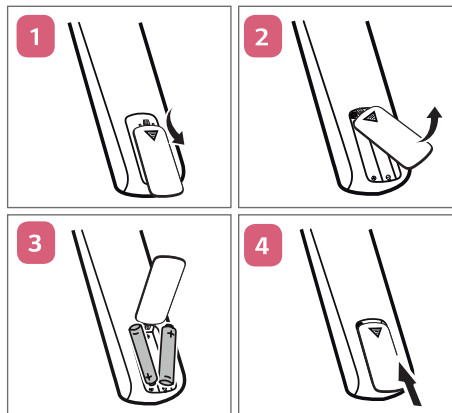


+ : Depending on model & country

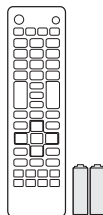
4



5



\* Image may vary depending on model.



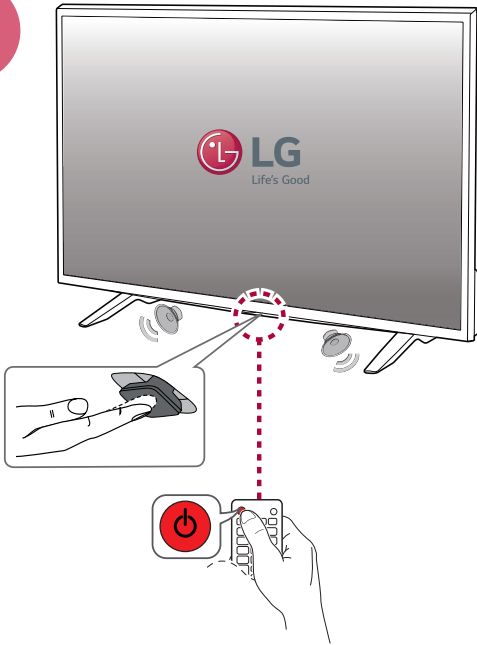
**NOTE**

Do not use sub standard batteries in TV remote which may lead to leakage & damage the remote control unit permanently. For long unused applications of remote controller it is advisable to remove batteries from remote control unit.

**NOTE**

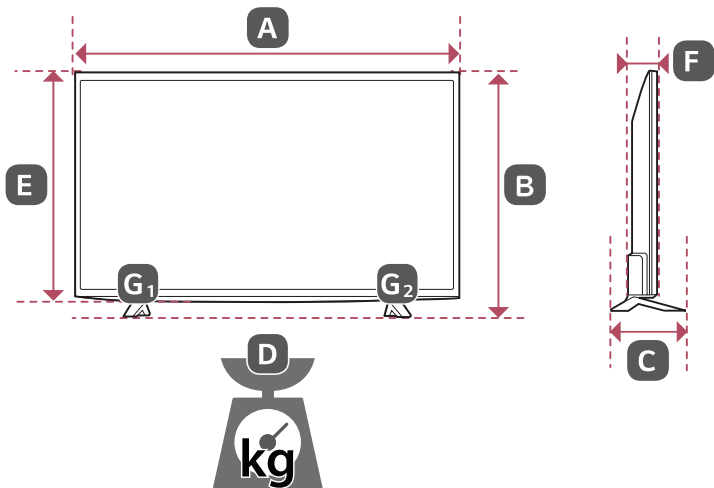
You can set the power indicator light to on or off by selecting OPTION in the main menus.


6



**Joystick button**  
(\*This button is located  
below the TV screen)

\* Image may vary depending on model.



	32LX300C-TA
$A \times B \times C$ (mm)	734 x 474 x 172
$A \times E \times F$ (mm)	734 x 438 x 71
$D$ (kg)	4.7
$D - (G_1 + G_2)$ (kg)	4.5
Power requirement	19 V  1.6 A