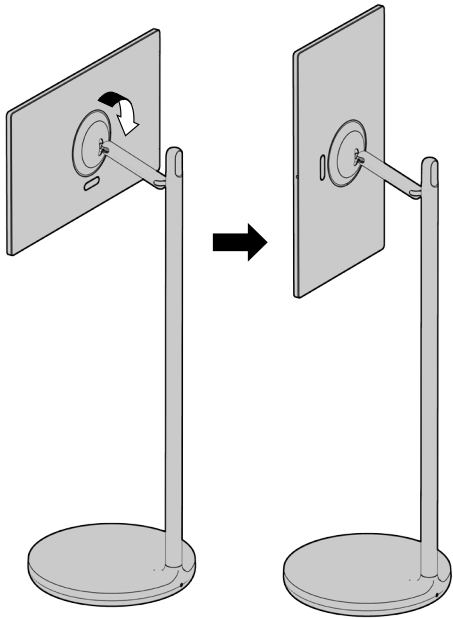




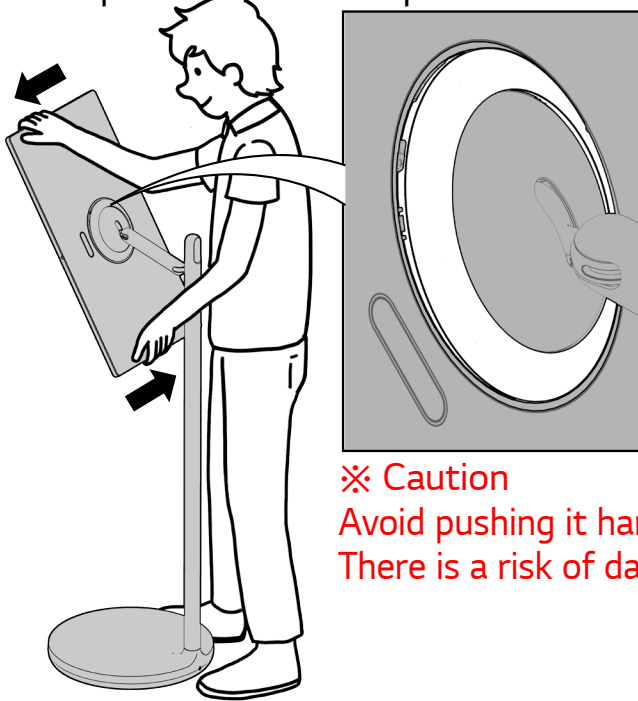
ART10*

Disassembly

1 Position the screen vertically.

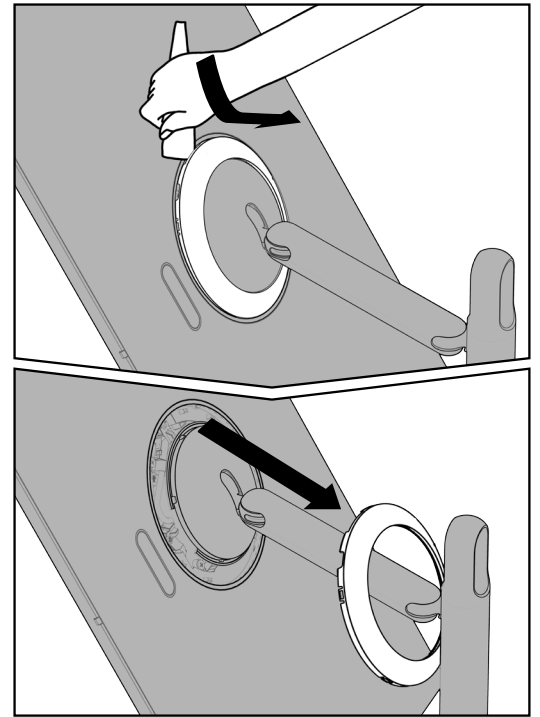


2 Push the top of the screen lightly in the direction of the arrow to disassemble a part of the cover space.

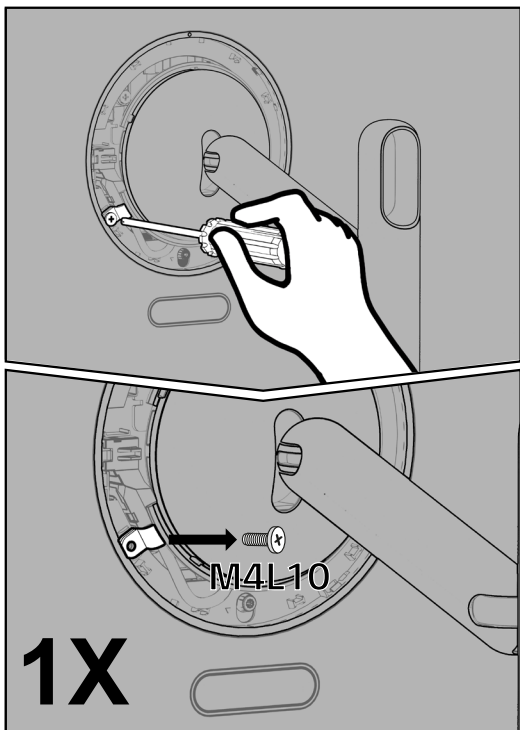


※ **Caution**
Avoid pushing it hard.
There is a risk of damage.

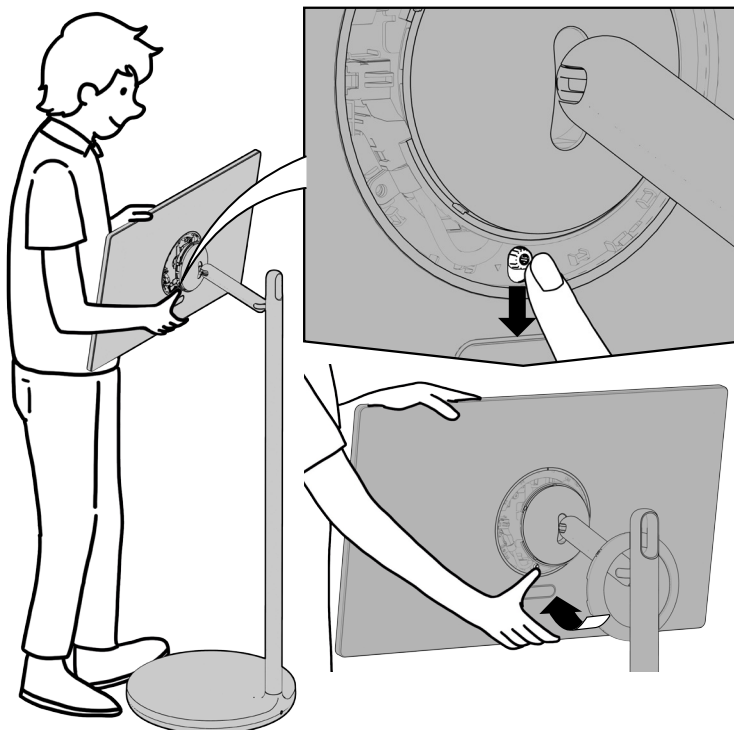
3 Use a wedge or pull it with your hand to completely disassemble the cover.



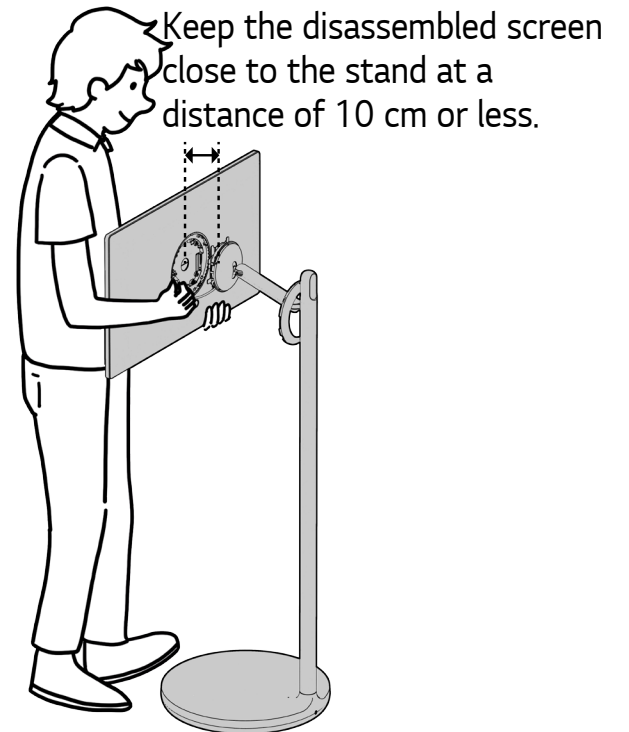
4 Position the screen horizontally and disassemble the cable holder screw.



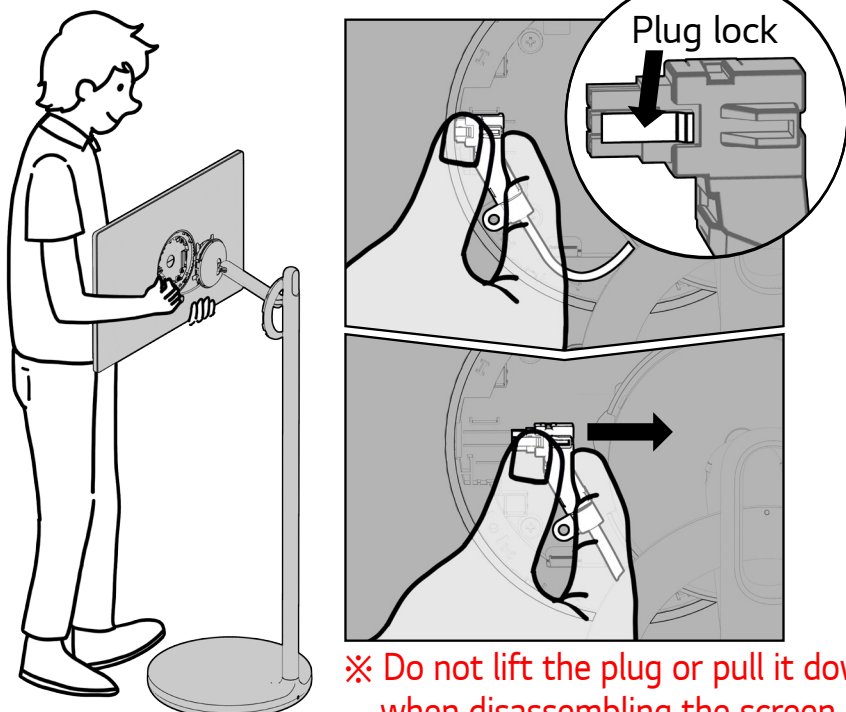
5 Lower the rear lever and push the bottom of the screen forward, as shown in the figure.



6 Lift the screen, separate the top of the screen, and hold the screen.

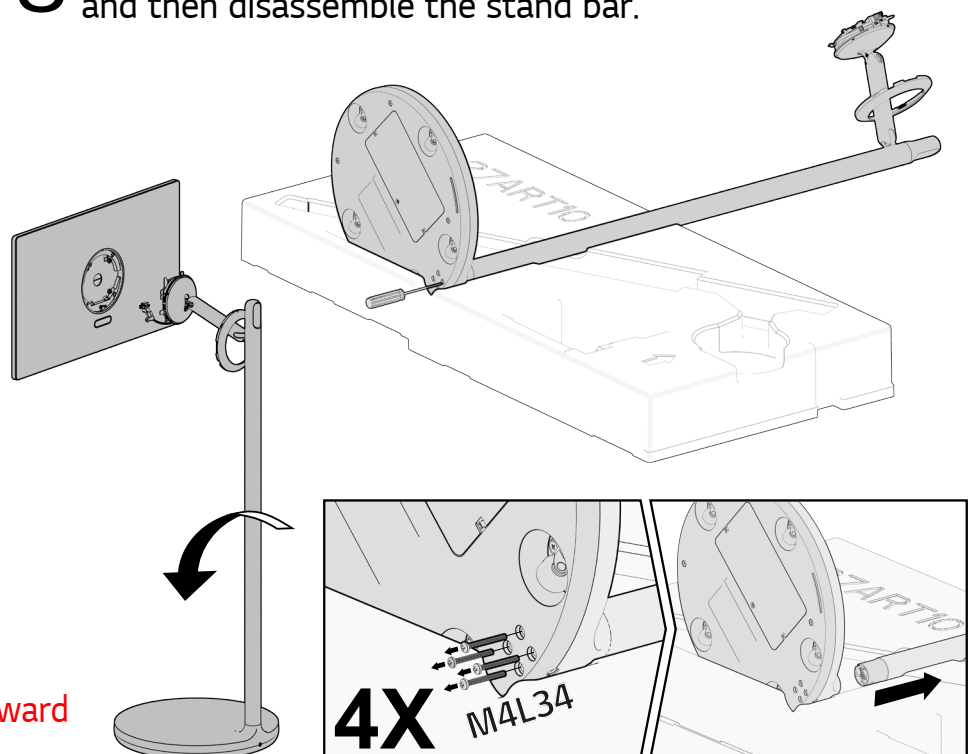


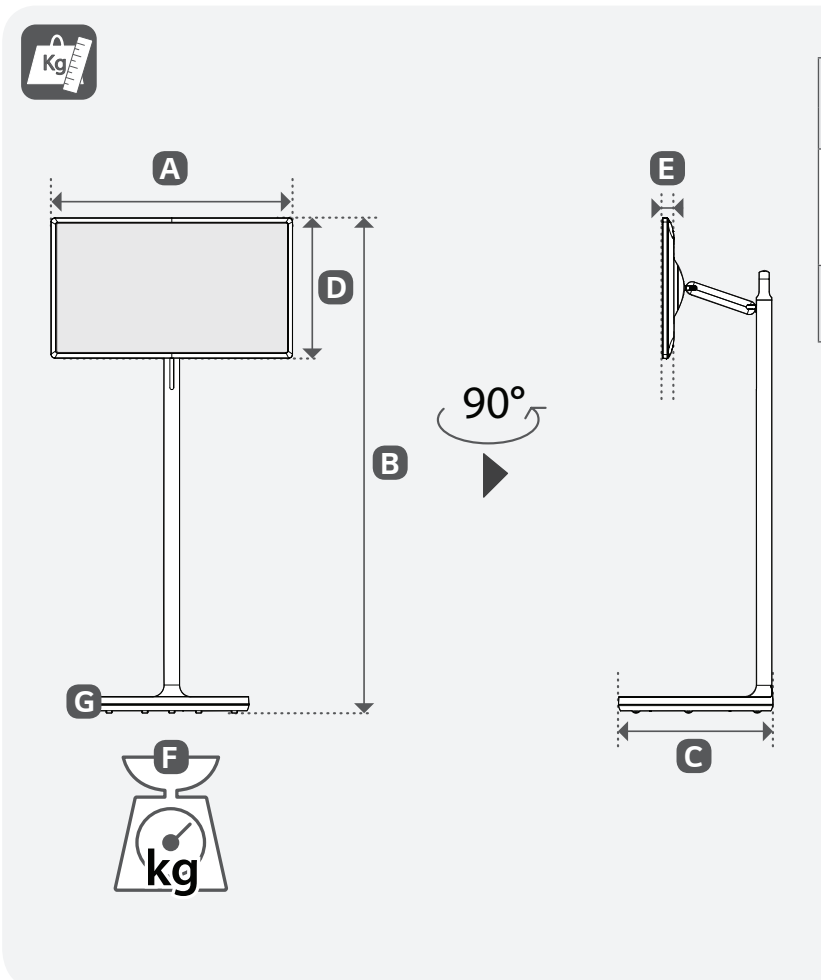
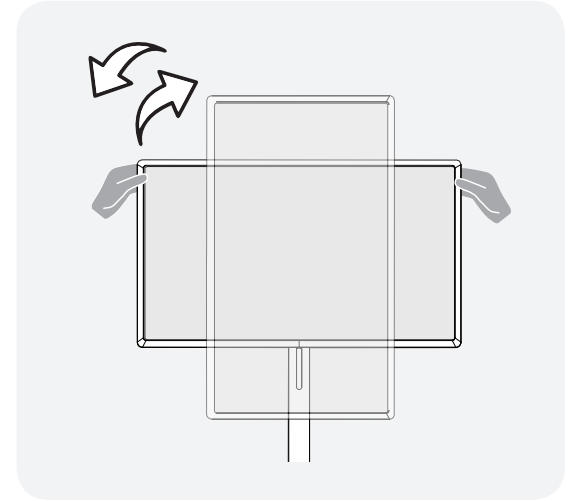
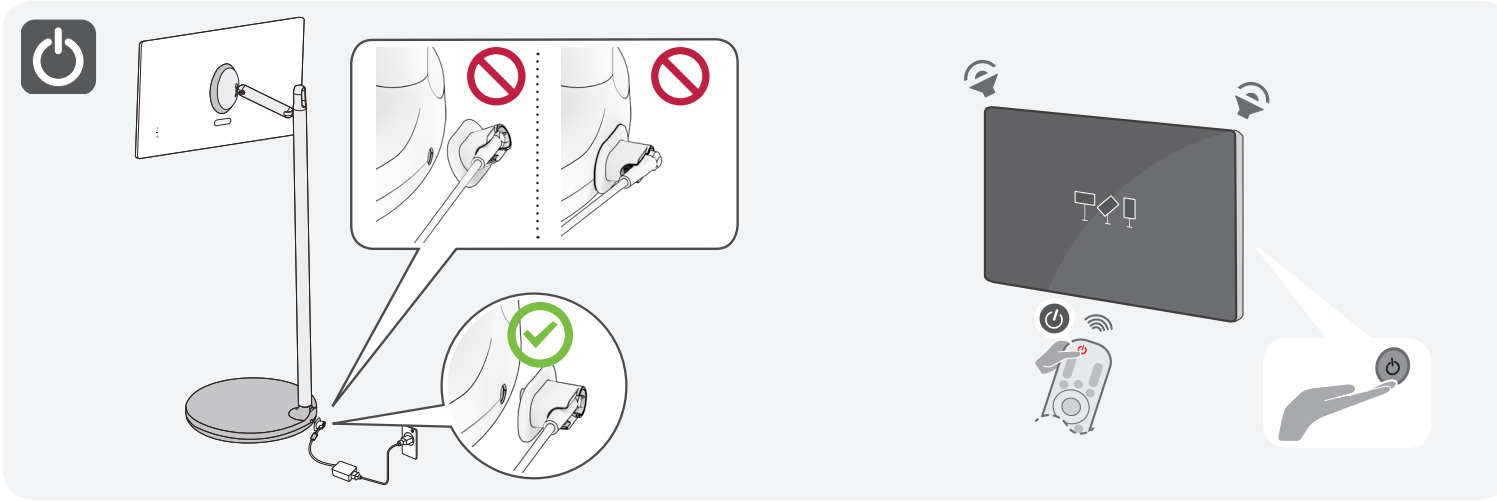
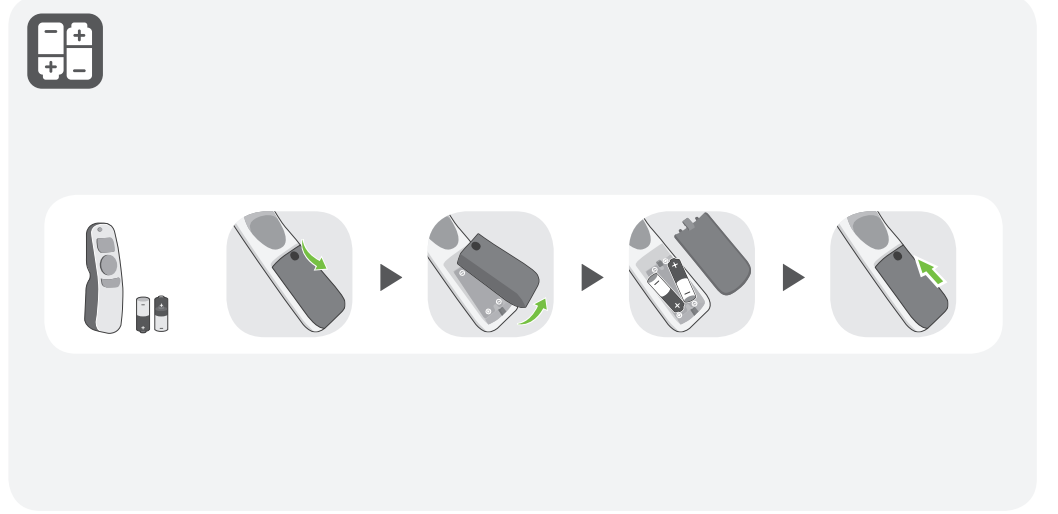
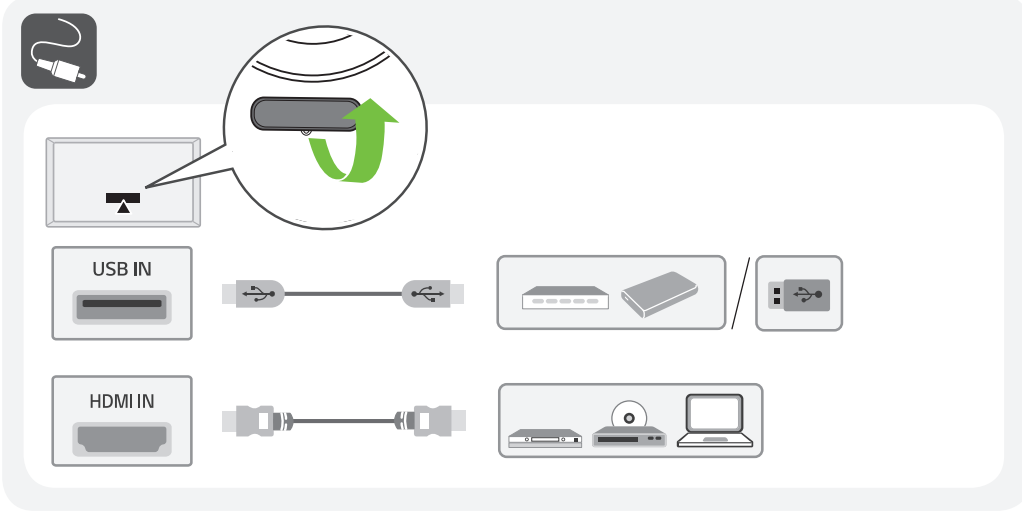
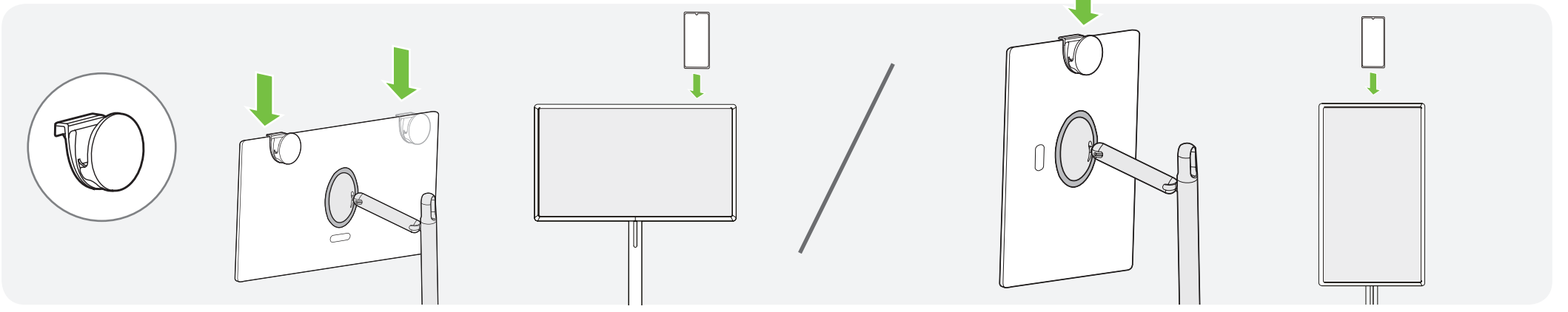
7 Press the plug lock, push it in the direction of the arrow, and then disassemble the screen completely.



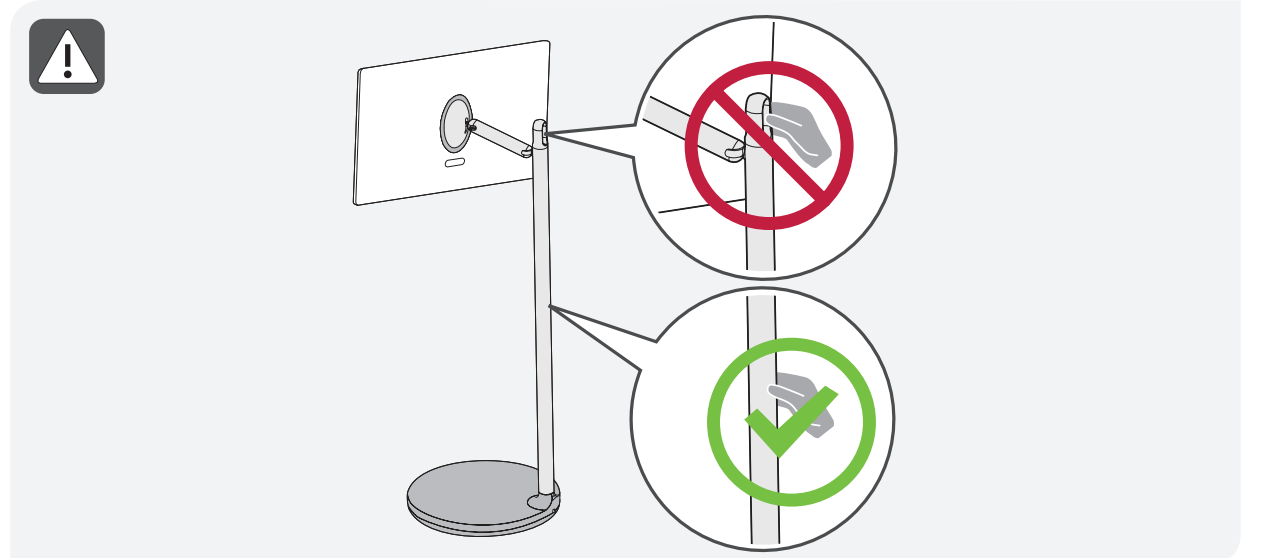
※ Do not lift the plug or pull it downward when disassembling the screen.

8 Lay the stand on the box packaging, remove the four screws, and then disassemble the stand bar.





	A	B	C	D	E	F	F-G
	(mm)					(kg)	
27ART10AKPL	621	1077 ~ 1277	397	361	29.9	17.5	4.8
Power requirement / Güç gereksinimi / Alimentation / متطلبات الطاقة					19 V \approx 4.0 A		



- English** • Read **Safety and Reference**.
- Türkçe** • **Güvenlik ve Referans** bölümünü okuyun.
- Français** • Lire le document **Sécurité et référence**.

العربية • قراءة الأمان والمرجع.

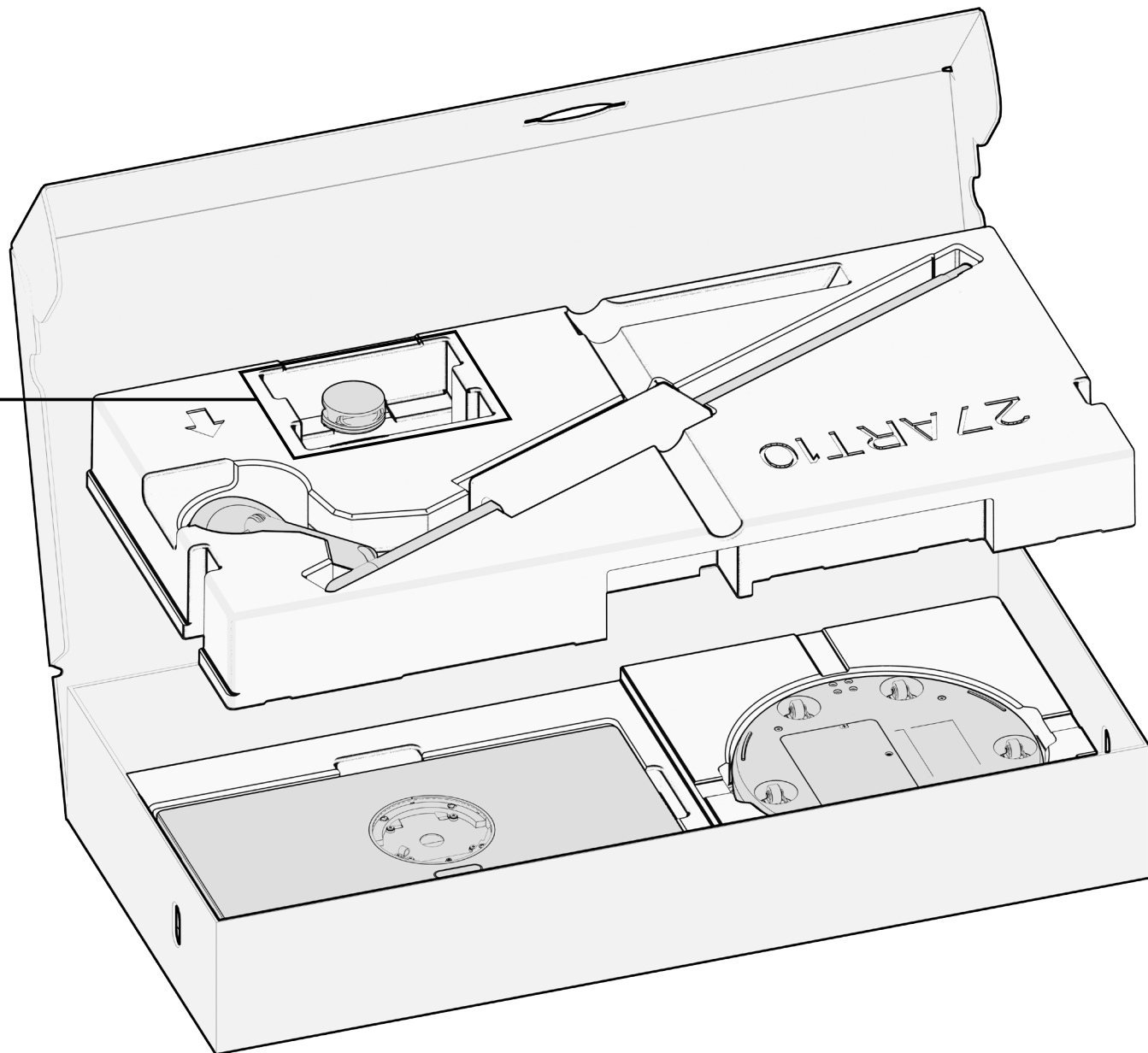
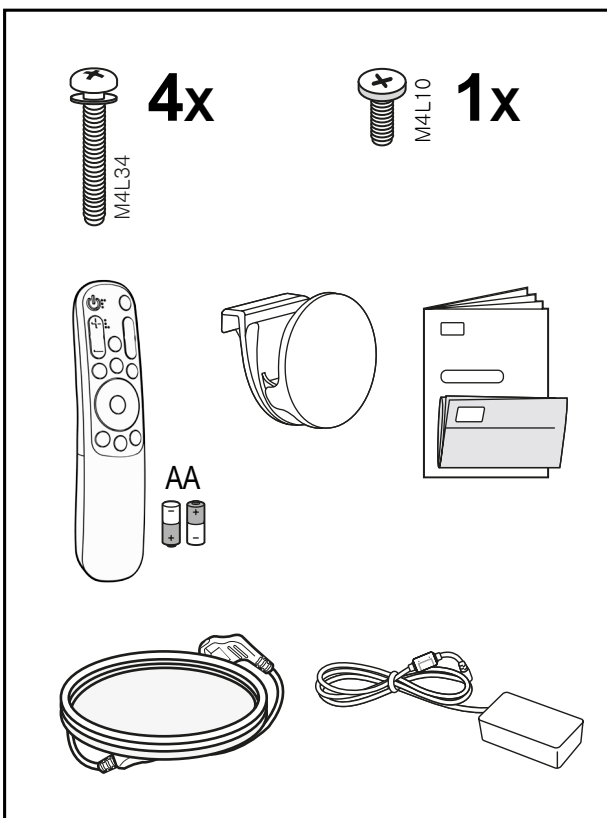
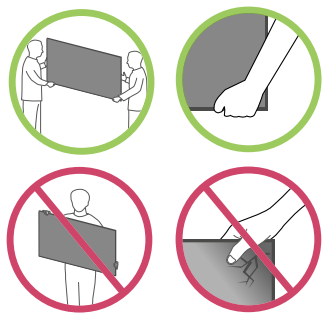
⊕ : Depending on model / Modele bağlı olarak değişiklik gösterebilir / Selon le modèle / حسب الطراز

LG StanbyME Installation

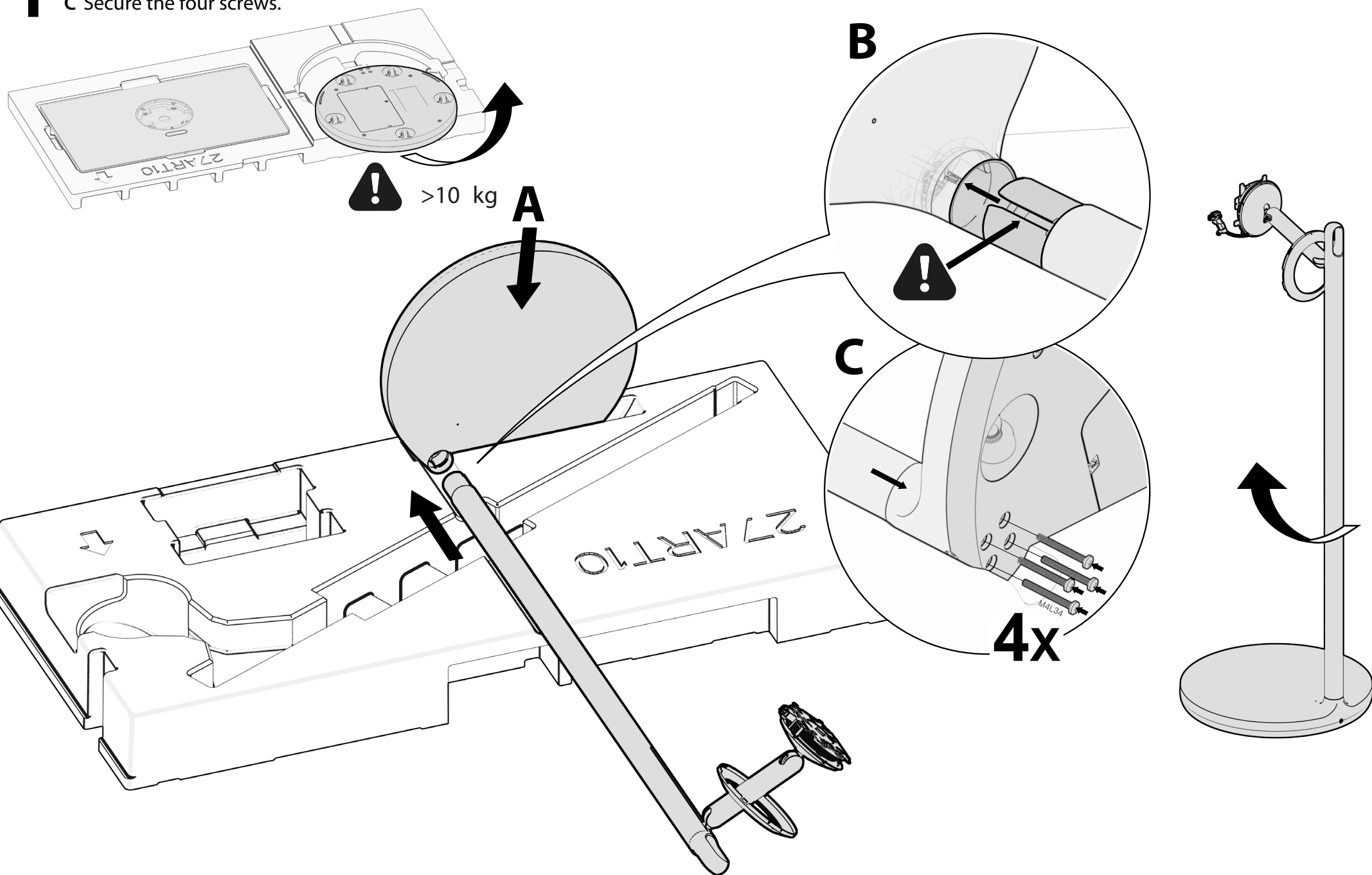
www.lg.com



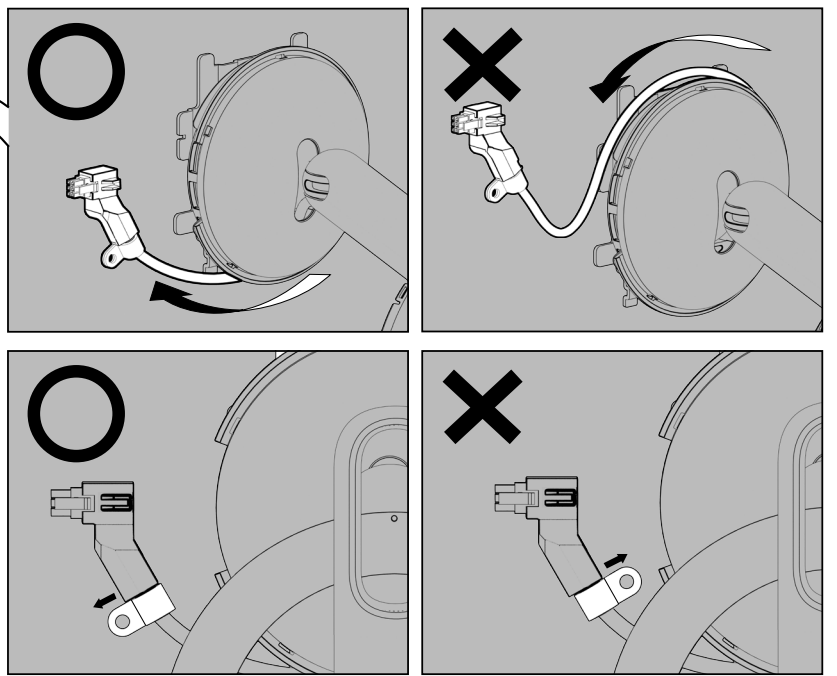
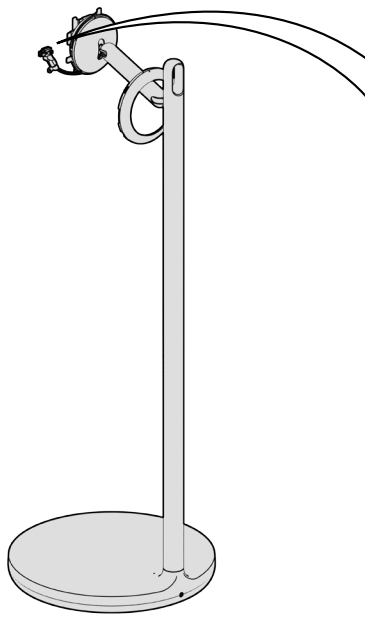
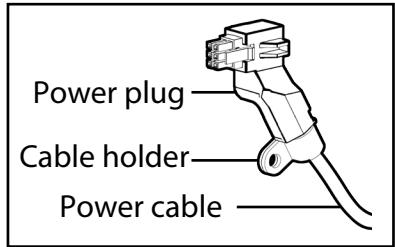
User Install Guide



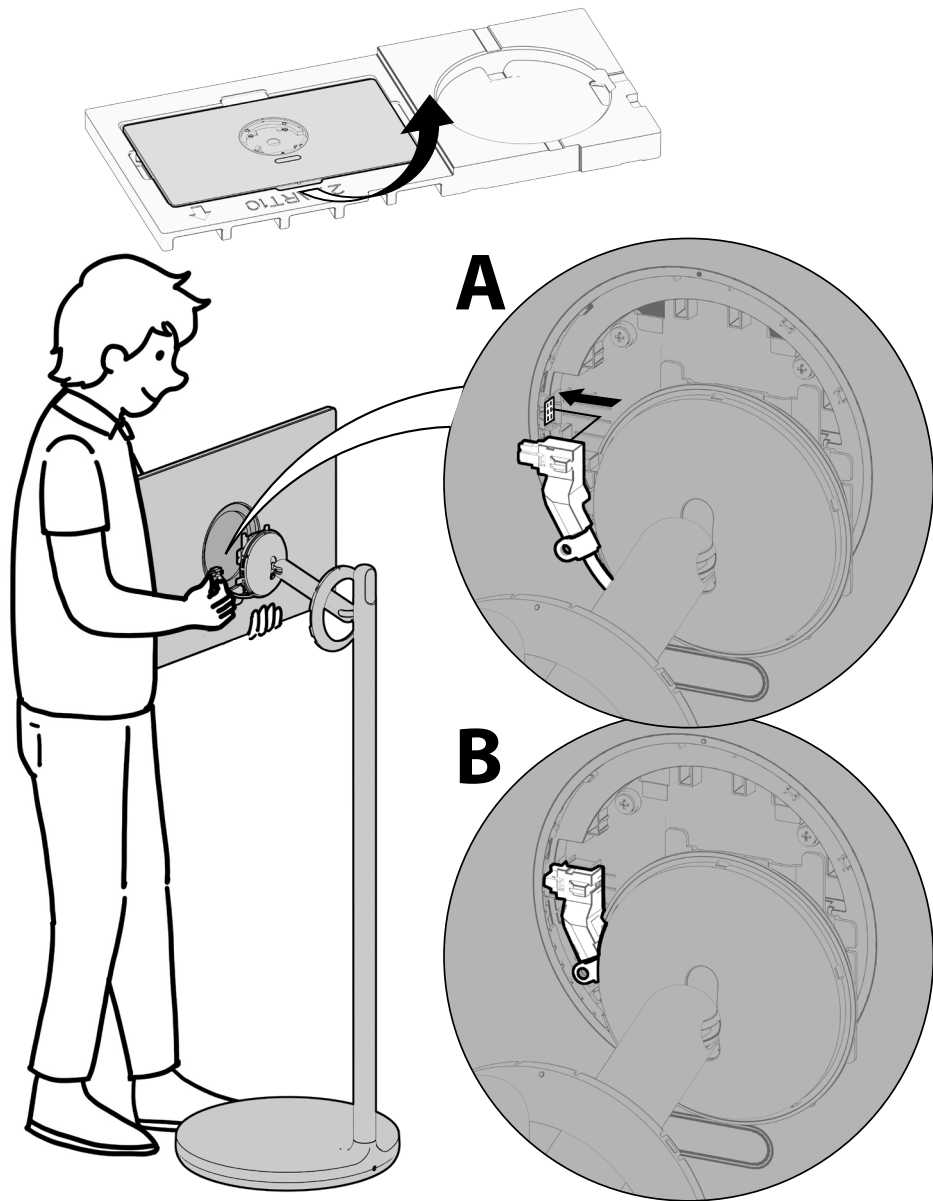
- 1** A Insert the stand base into the styrofoam groove as shown in the figure.
B Insert the bar into the hole of the stand base along the groove until it reaches the parting line.
C Secure the four screws.



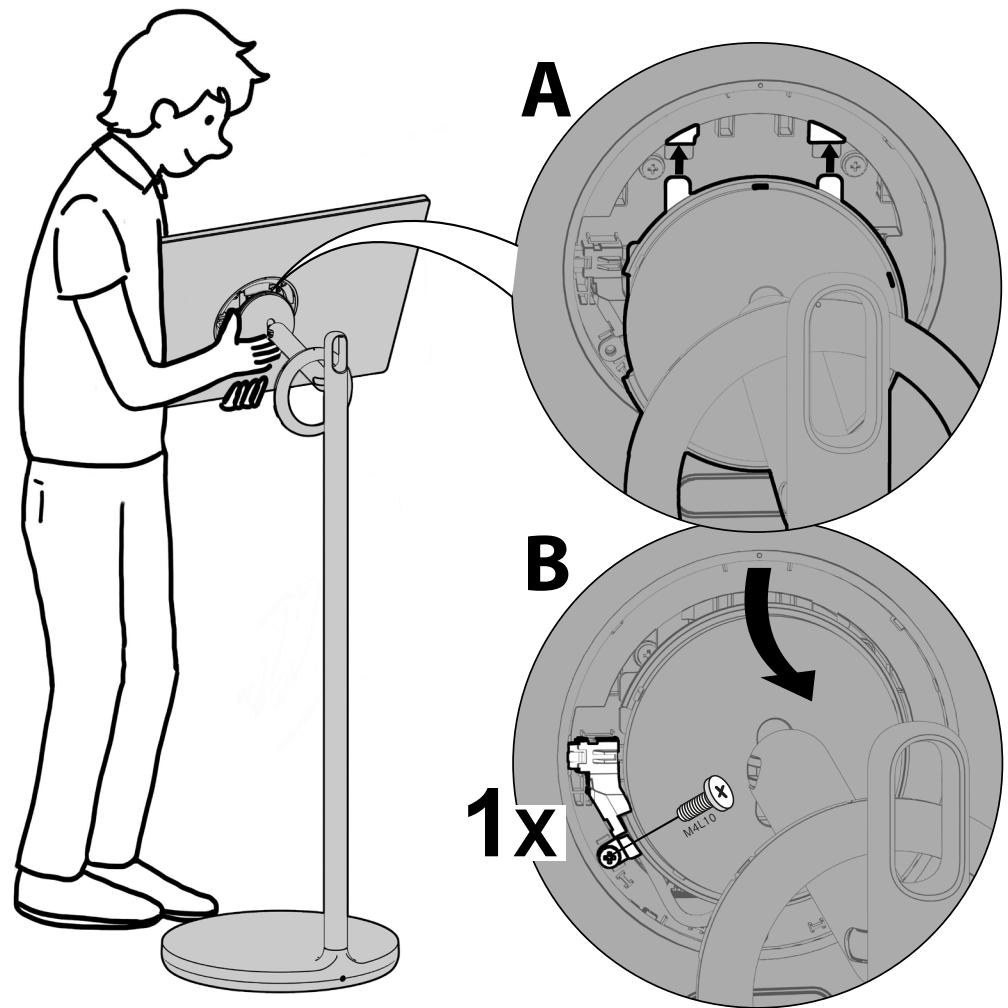
2 Check the orientation of the power cable and cable holder.



3 Hold the screen and secure the power plug.
A Check the position of the power plug on the back cover of the screen.
B Secure it tightly to the back cover side.



4 Secure the screen to the stand.
A Insert the stand hook into the back cover groove and tighten while pushing the lower part, as shown in the figure. (Push it until you hear a [click] sound.)
B Secure one screw to the cable holder.



5 Secure the ring cover of the stand.
A Align the screen back cover and ring cover [●mark] and install them.
B Check if it sits tightly as shown in the figure.

