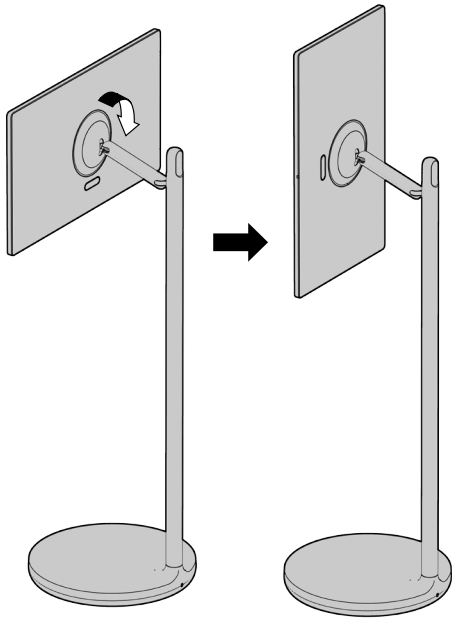


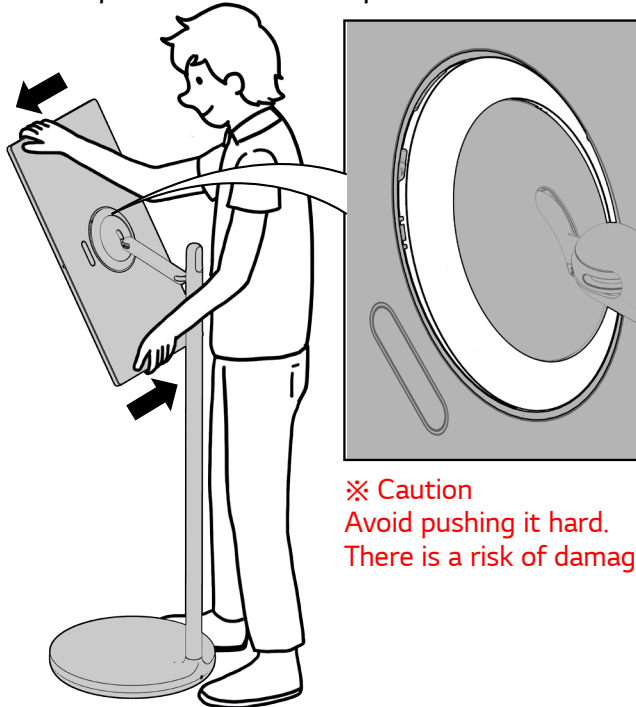
ART10\*

## Disassembly

**1** Position the screen vertically.

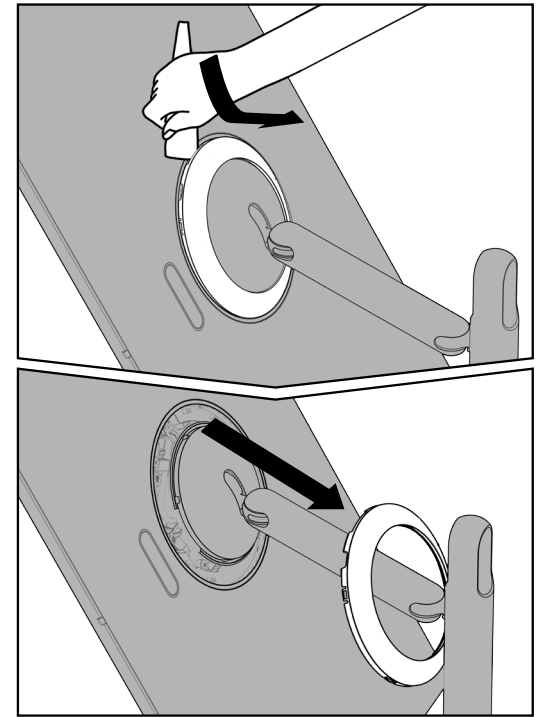


**2** Push the top of the screen lightly in the direction of the arrow to disassemble a part of the cover space.

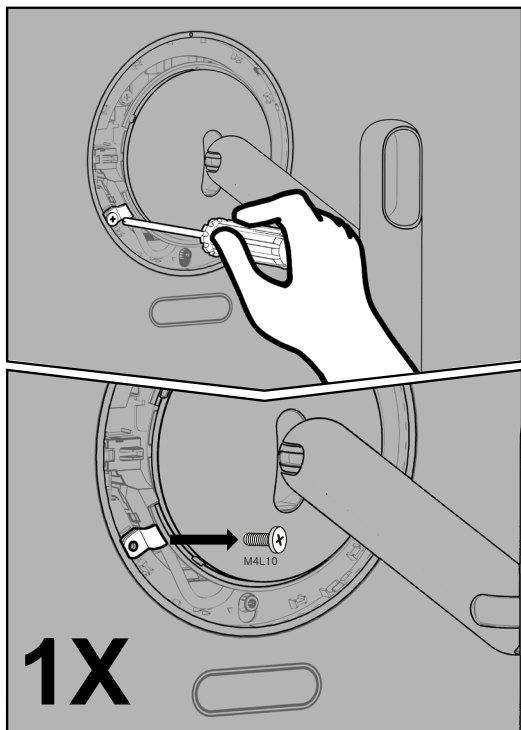


※ Caution  
Avoid pushing it hard.  
There is a risk of damage.

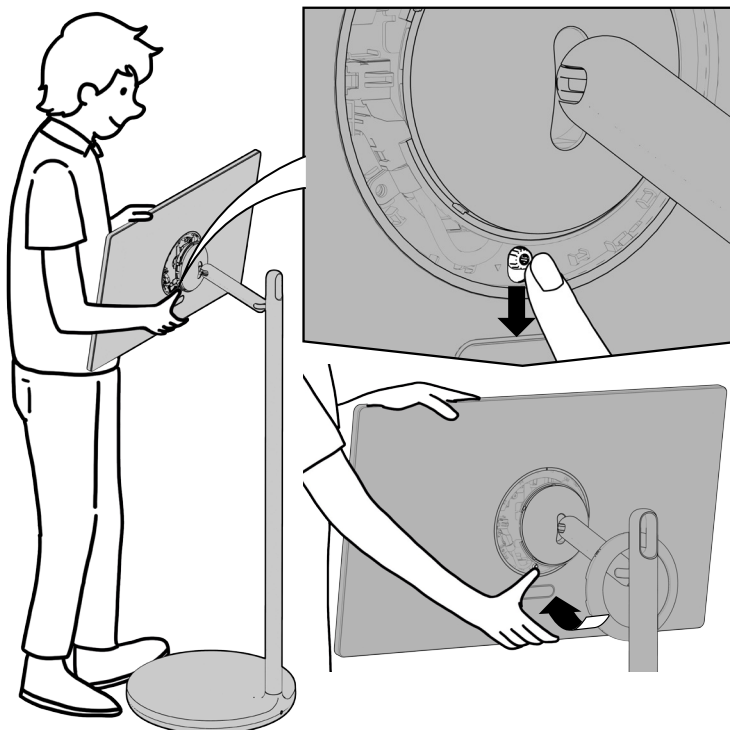
**3** Use a wedge or pull it with your hand to completely disassemble the cover.



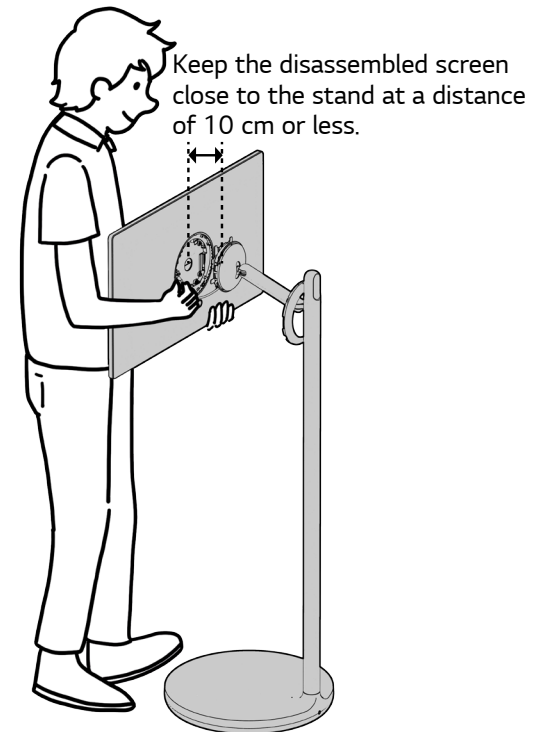
**4** Position the screen horizontally and disassemble the cable holder screw.



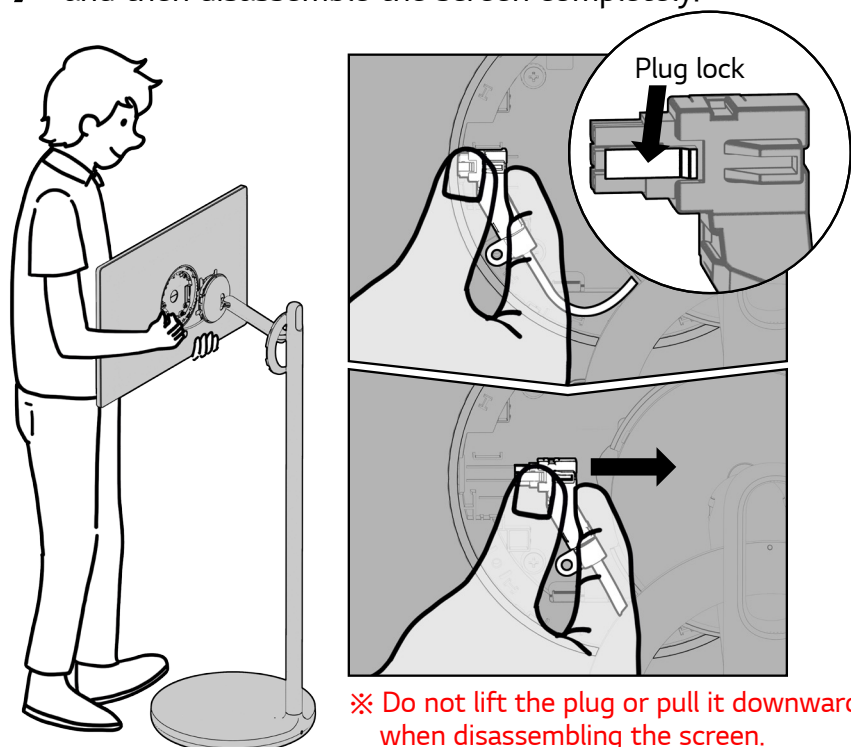
**5** Lower the rear lever and push the bottom of the screen forward, as shown in the figure.



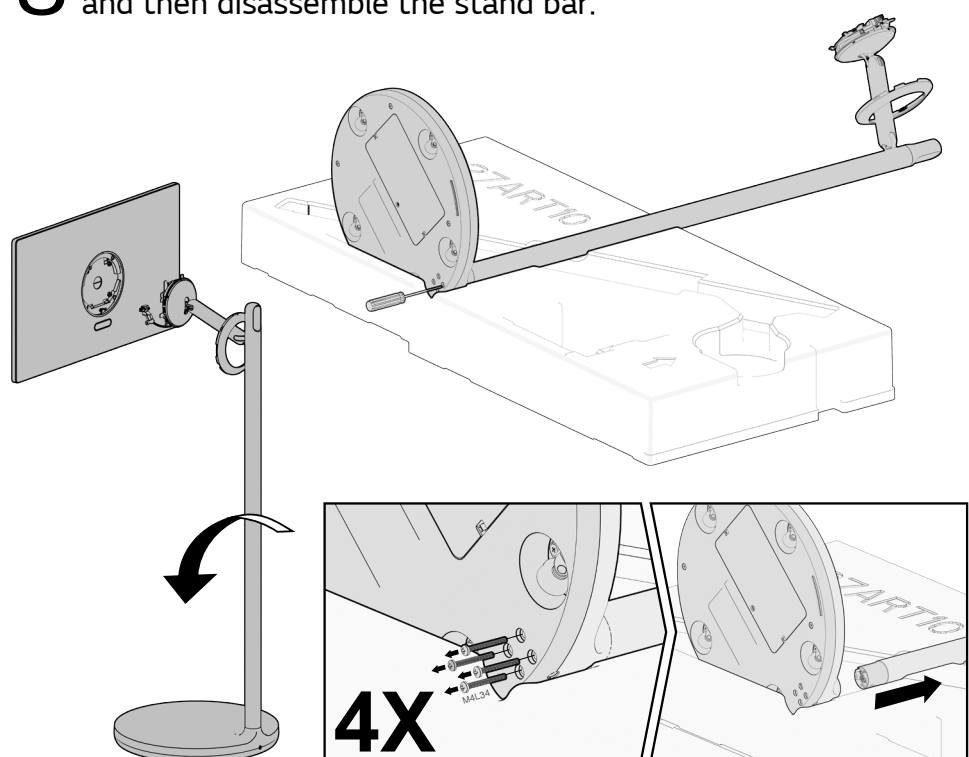
**6** Lift the screen, separate the top of the screen, and hold the screen.

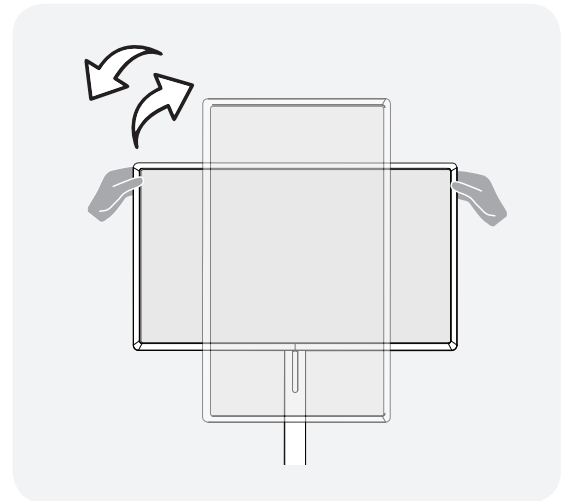
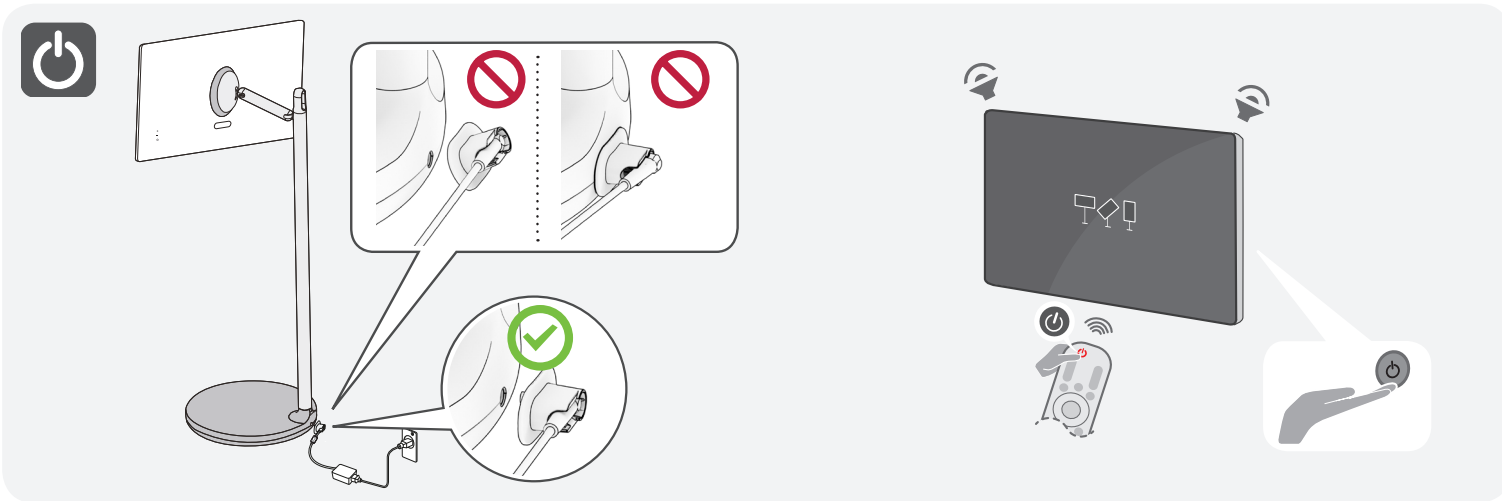
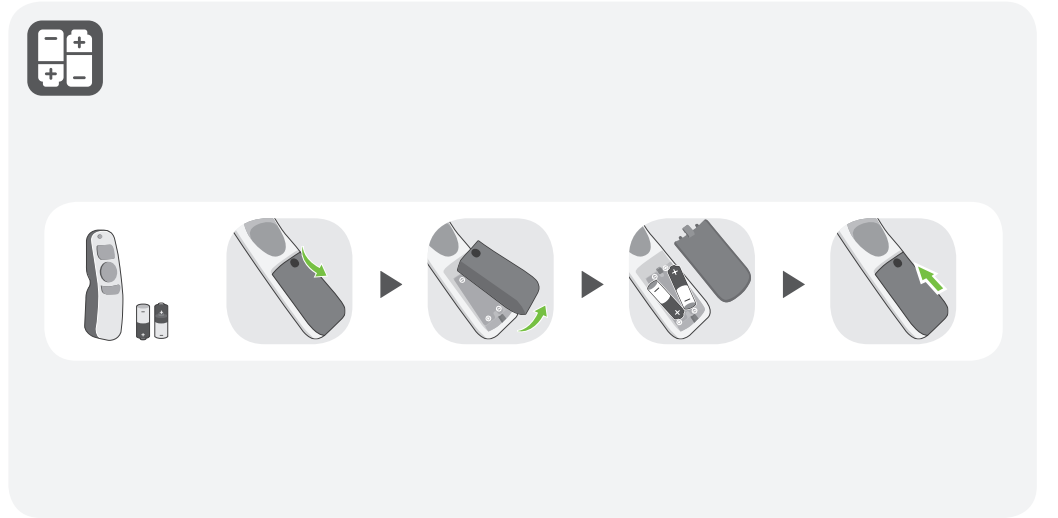
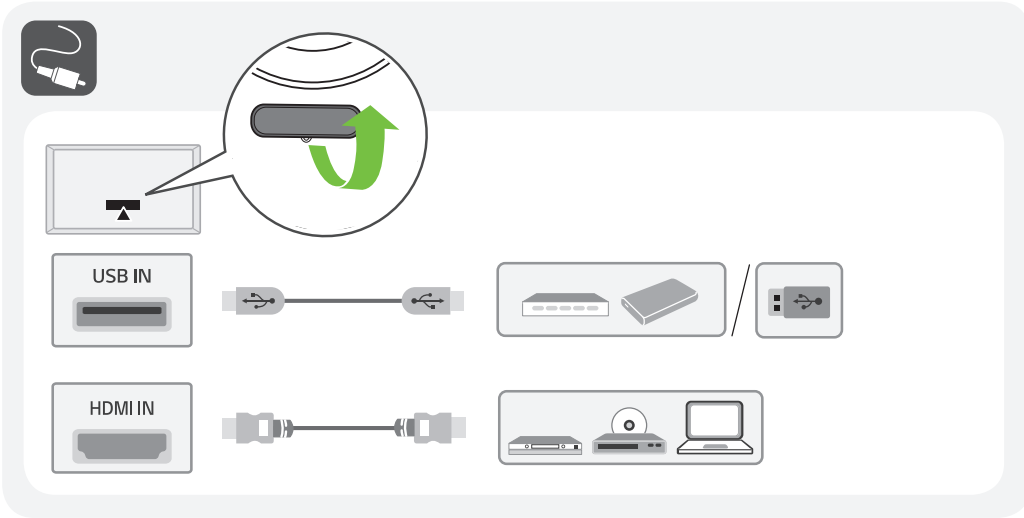
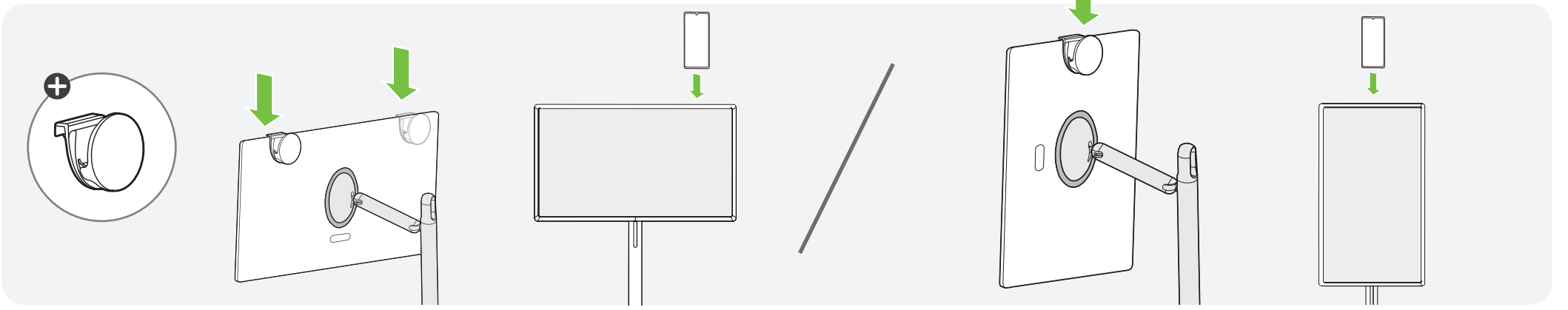


**7** Press the plug lock, push it in the direction of the arrow, and then disassemble the screen completely.

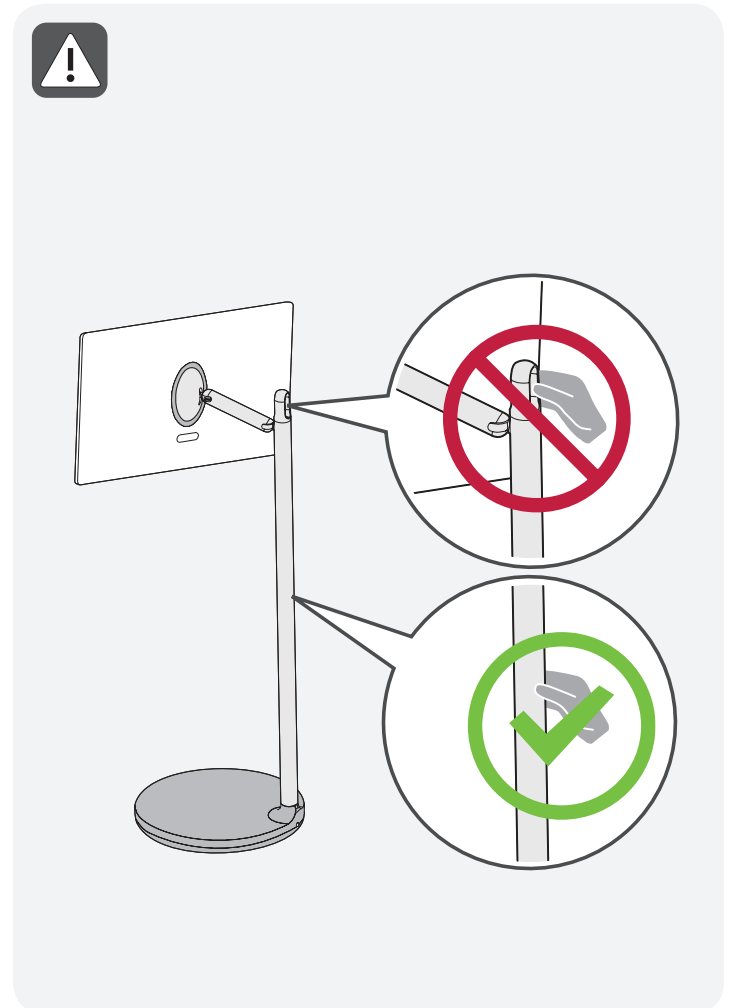


**8** Lay the stand on the box packaging, remove the four screws, and then disassemble the stand bar.





	A	B	C	D	E	F	F-G
	(mm)				(kg)		
27ART10AKPL 27ART10CKPL	621	1077 - 1277	397	361	29.9	17.5	4.8
Power requirement / متطلبات الطاقة / Alimentation / Requisito de alimentação / แรงดันและความถี่ไฟฟ้า / Nguồn điện yêu cầu					19 V --- 4.0 A 19 فولت --- 4.0 أمبير		



**English** • Read **Safety and Reference**.

**العربية** • قراءة الأمان والمرجع.

**Français** • Lire le document **Sécurité et référence**.

**Português** • Consulte o manual **Segurança e referência**.

**ภาษาไทย** • โปรดอ่านคู่มือผู้ใช้ความปลอดภัยและการอ้างอิง

**Tiếng Việt** • Đọc phần **An toàn và Tham khảo**.

⊕ : Depending on model / حسب الطراز / Selon le modèle / Dependendo do modelo / ขึ้นอยู่กับรุ่น / Tùy theo mã sản phẩm

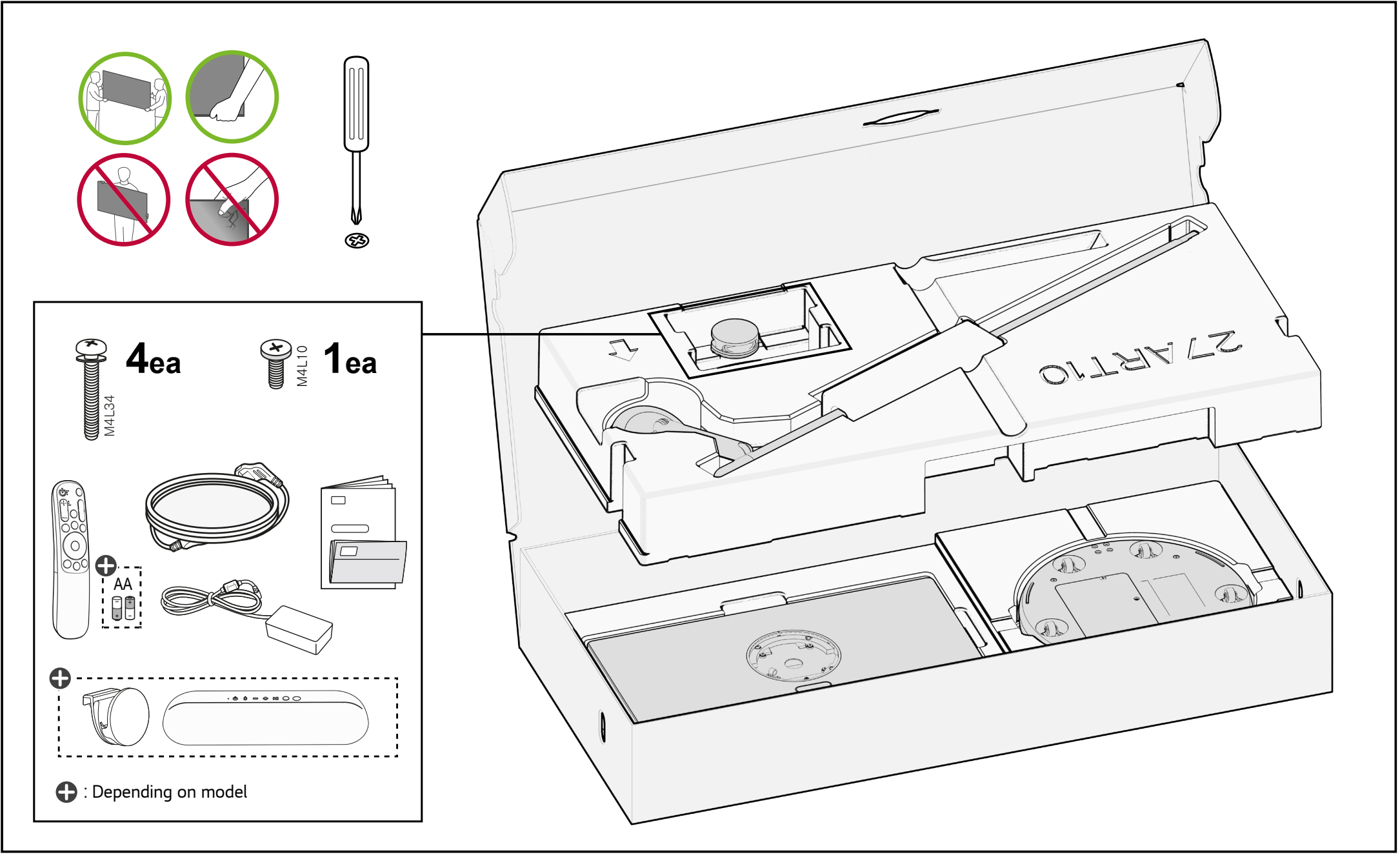
# LG StanbyME Installation

www.lg.com

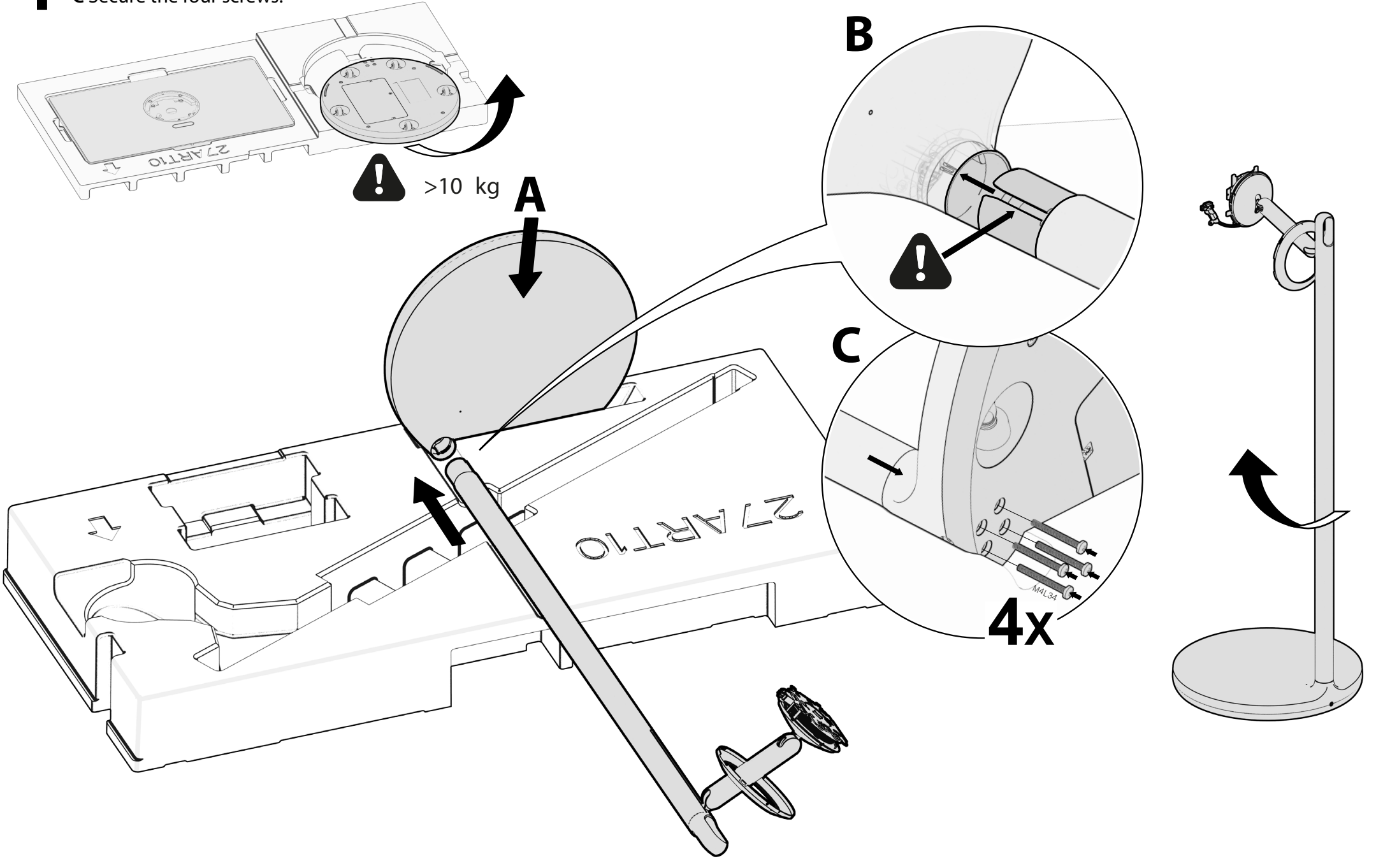


\* M F L 7 1 8 8 4 5 0 2 2 4 0 9 R E V 0 3 \*

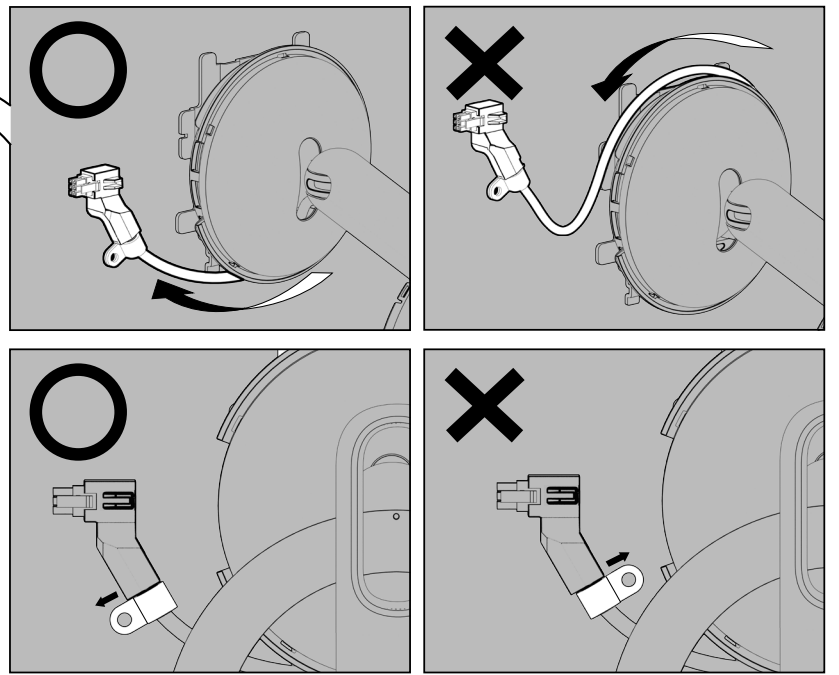
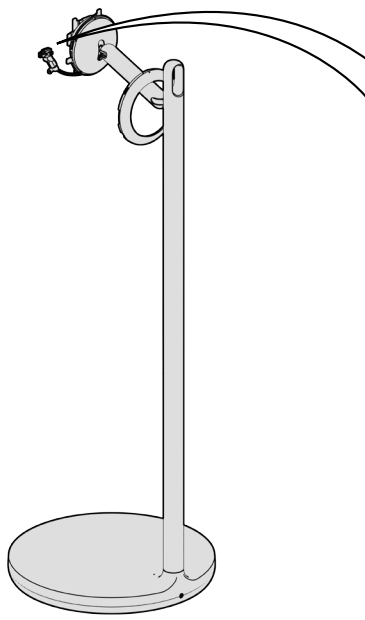
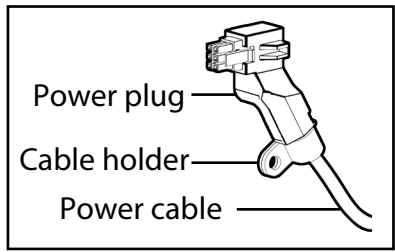
User Install Guide



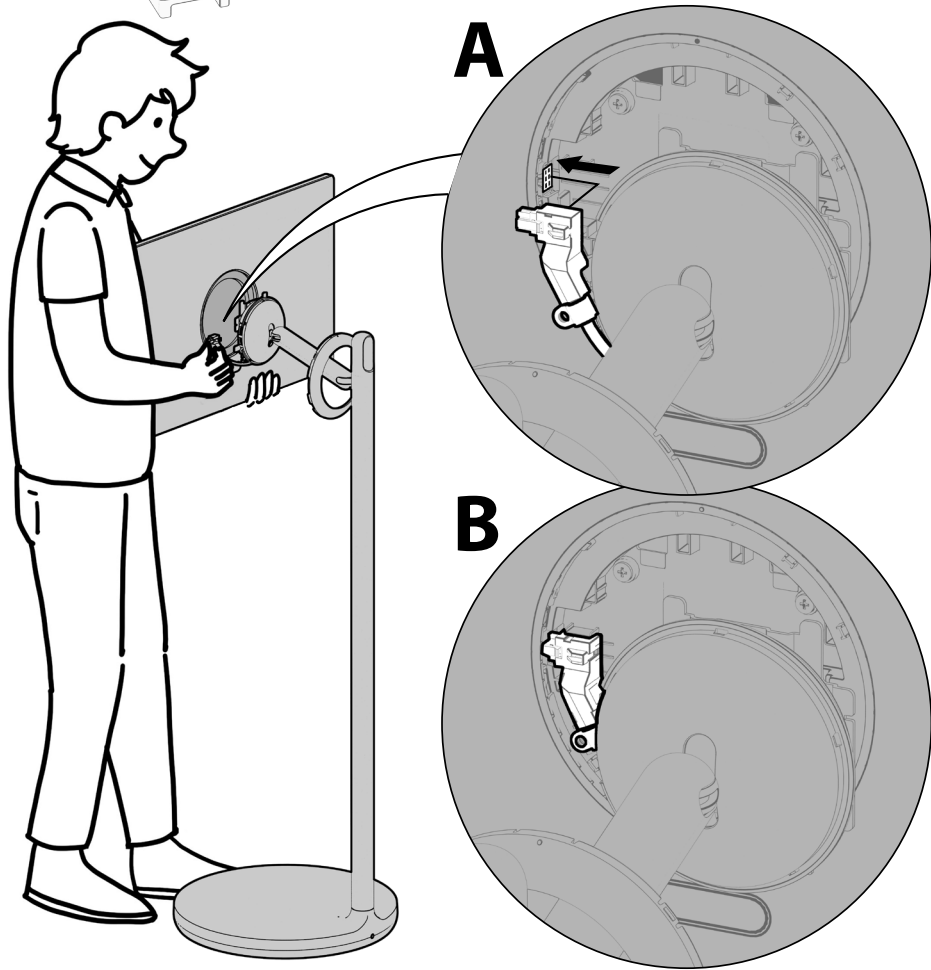
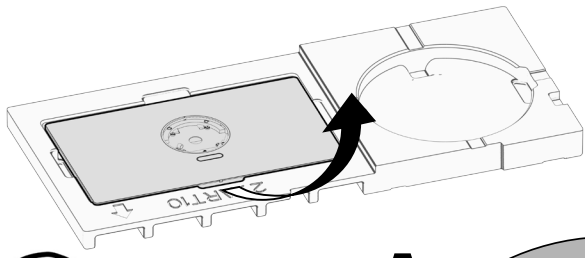
- 1** **A** Insert the stand base into the styrofoam groove as shown in the figure.  
**B** Insert the bar into the hole of the stand base along the groove until it reaches the parting line.  
**C** Secure the four screws.



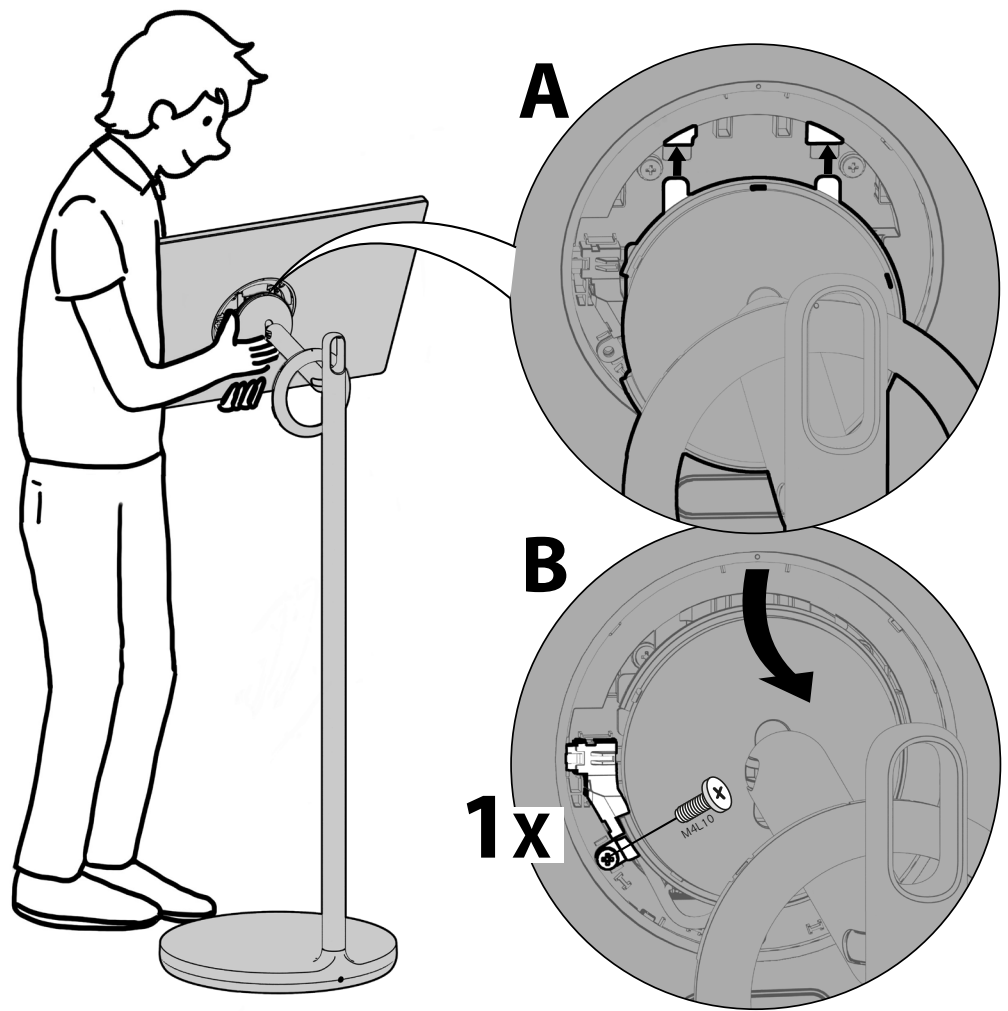
## 2 Check the orientation of the power cable and cable holder.



## 3 Hold the screen and secure the power plug. A Check the position of the power plug on the back cover of the screen. B Secure it tightly to the back cover side.



## 4 Secure the screen to the stand. A Insert the stand hook into the back cover groove and tighten while pushing the lower part, as shown in the figure. (Push it until you hear a [click] sound.) B Secure one screw to the cable holder.



## 5 Secure the ring cover of the stand. A Align the screen back cover and ring cover [●mark] and install them. B Check if it sits tightly as shown in the figure.

