



**LG**

Life's Good

OWNER'S MANUAL

# MICROWAVE OVEN

PLEASE READ THIS OWNER'S MANUAL THOROUGHLY  
BEFORE OPERATING.

LMS1531\*\*



MFL38260005

[www.lg.com](http://www.lg.com)

# TABLE OF CONTENTS

<b>Safety</b> .....	3- 4
Precaution to Avoid Possible Exposure To Excessive Microwave Energy .....	3
Grounding Instructions .....	3
Important Safety Instructions .....	4
<b>Understanding Your Microwave Oven</b> .....	5
Specifications .....	5
Installation .....	5
Parts and accessories .....	6
Control panel .....	7
Cookware guide .....	8
Tip• for microwave cooking .....	9
Precautions .....	10
Cleaning .....	10
<b>Setting Clock</b> .....	11
<b>Child Lock-Out</b> .....	11
<b>Utensils</b> .....	12
<b>Sensor Touch Operation Instruction</b> .....	13
<b>Sensor Touch Cook</b> .....	13
<b>Sensor Touch Popcorn</b> .....	14
<b>Microwaving Made Easy</b> .....	15
<b>Auto Cook</b> .....	15
<b>Melt</b> .....	16
<b>Soften</b> .....	17
<b>Auto Defrost</b> .....	18
<b>Express Defrost</b> .....	18
<b>Ez ON</b> .....	19
<b>Kitchen timer</b> .....	19
<b>More/Less</b> .....	19
<b>Time Cooking</b> .....	20
<b>ENERGY SAVING</b> .....	20
<b>Using Multi-Power Levels</b> .....	21
<b>Multi-Power Setting Guide</b> .....	21
<b>Cooking tips</b> .....	22-23
<b>Heating or reheating guide</b> .....	24
<b>Fresh vegetable table</b> .....	25
<b>Troubleshooting</b> .....	26-28
<b>Warranty</b> .....	29

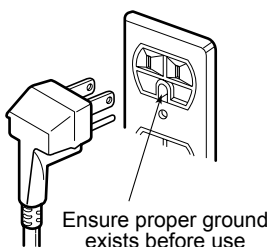
# SAFETY

## PRECAUTIONS TO AVOID POSSIBLE EXPOSURE TO EXCESSIVE MICROWAVE ENERGY

- **Do not attempt to operate this oven with the door open**, since open-door operation can result in harmful exposure to microwave energy. It is important not to defeat or tamper with the safety interlocks.
- **Do not place any object between the oven front face and the door**, or allow soil or cleaner residue to accumulate on sealing surfaces.
- **Do not operate the oven if it is damaged.** It is particularly important that the oven door close properly and that there is no damage to the:
  - door (bent),
  - hinges and latches (broken or loosened),
  - door seals and sealing surfaces.
- **The oven should not be adjusted or repaired** by anyone except properly qualified service personnel.

## GROUNDING INSTRUCTIONS

This appliance must be grounded. In the event of an electrical short circuit, grounding reduces the risk of electric shock by providing an escape wire for the electric current. This appliance is equipped with a cord having a grounding wire and a grounding plug. The plug must be plugged into an outlet that is properly installed and grounded.



### **⚠ WARNING**

Improper grounding can result in a risk of electric shock. Consult a qualified electrician if the grounding instructions are not completely understood, or if doubt exists as to whether the appliance is properly grounded, and either:

1. If it is necessary to use an extension cord, use only a 3-wire extension cord that has a 3-blade grounding plug, and a 3-slot receptacle that will accept the plug on the appliance. The marked rating of the extension cord shall

be equal to or greater than the electrical rating of the appliance, or . . .

2. Do not use an extension cord. If the power supply cord is too short, have a qualified electrician or serviceman install an outlet near the appliance.

#### **NOTES:**

1. A short power-supply cord is provided to reduce the risks resulting from becoming entangled in or tripping over a longer cord.
2. Longer cord sets or extension cords are available and may be used if care is exercised in their use.
3. If a long cord or extension cord is used, (1) the marked electrical rating of the cord set or extension cord should be at least as great as the electrical rating of the appliance, (2) the extension cord must be a grounding-type 3-wire cord, and (3) the longer cord should be arranged so that it will not drape over the countertop or tabletop where it can be pulled on by children or tripped over accidentally.

# SAFETY

## IMPORTANT SAFETY INSTRUCTIONS

The safety instructions below will tell you how to use your oven to avoid harm to yourself or damage to your oven.

**⚠ WARNING** - To reduce the risk of burns, electric shock, fire, injury to persons, or exposure to excessive microwave energy:

1. Read all instructions before using the appliance.
2. Read and follow the specific **PRECAUTIONS TO AVOID POSSIBLE EXPOSURE TO EXCESSIVE MICROWAVE ENERGY** found on page 3 of this manual.
3. This appliance must be grounded. Connect only to properly grounded outlet.  
See **GROUNDING INSTRUCTIONS** found on page 3 of this manual .
4. Install or locate this appliance only in accordance with the provided installation instructions.
5. Some products, such as whole eggs and sealed containers – for example, closed glass jars are able to explode and should not be heated in this oven.
6. Use this appliance only for its intended use as described in the manual. Do not use corrosive chemicals or vapors in this appliance. This type of oven is specifically designed to heat, cook, or dry food. It is not designed for industrial or laboratory use.
7. As with any appliance, close supervision is necessary when used by children.
8. Do not operate this appliance if it has a damaged cord or plug, if it is not working properly , or if it has been damaged or dropped.
9. This appliance should be serviced only by qualified service personnel. Contact the nearest authorized service facility for examination, repair, or adjustment.
10. Do not cover or block any openings on the appliance.
11. Do not store this appliance outdoors. Do not use this product near water – for example, near a kitchen sink, in a wet basement, near a swimming pool, or similar location.
12. Do not immerse cord or plug in water .
13. Keep cord away from heated surfaces.
14. Do not let cord hang over the edge of a table or counter .
15. When cleaning surfaces of door and oven that come together on closing the door , use only mild, nonabrasive soaps or detergents applied with a sponge or soft cloth.
16. To reduce the risk of fire in the oven cavity:
  - a. Do not overcook food. Carefully attend appliance when paper , plastic, or other combustible materials are placed inside the oven to facilitate cooking.
  - b. Remove wire twist-ties from paper or plastic bags before placing bag in oven.
  - c. If materials inside the oven ignite, **KEEP OVEN DOOR CLOSED**, turn oven off, and disconnect the power cord or shut off power at the fuse or circuit breaker panel.
  - d. Do not use the cavity for storage purposes. Do not leave paper products, cooking utensils, or food in the cavity when not in use.
17. Liquids such as water, coffee, or tea are able to be overheated beyond the boiling point without appearing to be boiling. Visible bubbling or boiling when the container is removed from the microwave oven is not always present. **THIS COULD RESULT IN VERY HOT LIQUIDS SUDDENLY BOILING OVER WHEN THE CONTAINER IS DISTURBED OR A SPOON OR OTHER UTENSIL IS INSERTED INTO THE LIQUID.** To reduce the risk of injury to persons; 1) Do not overheat the liquid. 2) Stir the liquid both before and halfway through heating it. 3) Do not use straight-sided containers with narrow necks. 4) After heating, allow the container to stand in the microwave oven for a short time before removing the container . 5) Use extreme care when inserting a spoon or other utensil into the container .
18. Avoid heating small-necked containers such as syrup bottles.
19. Avoid using corrosive and vapors, such as sulfide and chloride.
20. Liquids heated in certain shaped containers (especially cylindrical-shaped containers) may become overheated. The liquid may splash out with a loud noise during or after heating or when adding ingredients (instant coffee, etc.), resulting in harm to the oven and possible injury . In all containers, for best results, stir the liquid several times before heating. Always stir liquid several times between reheatings.

## SAVE THESE INSTRUCTIONS

# UNDERSTANDING YOUR MICROWAVE OVEN

## SPECIFICATIONS

MODEL	LMS1531
Power Supply	120 V AC, 60 Hz
Rated Power Consumption	1500 W
Microwave Output	*1100 W
Frequency	2450 MHz
Rated Current	13.5 A
Overall Dimensions (WxHxD)	21 <sup>7</sup> / <sub>8</sub> " x 12 <sup>1</sup> / <sub>2</sub> " x 17 <sup>7</sup> / <sub>32</sub> "
Oven Cavity Dimensions (WxHxD)	15 <sup>2</sup> / <sub>32</sub> " x 10 <sup>7</sup> / <sub>16</sub> " x 15 <sup>27</sup> / <sub>32</sub> "
Capacity of Oven Cavity	1.5 Cu.ft.

\*IEC 60705 RATING STANDARD

Specifications subject to change without prior notice.

## INSTALLATION

### A. Circuits

For safety purposes this oven must be plugged into a 15 or 20 Amp circuit. No other electrical appliances or lighting circuits should be on this line. If in doubt, consult a licensed electrician.

### B. Voltage Warning

The voltage used at the wall receptacle must be the same as specified on the oven name plate located on the back or on the side of the control panel of the oven. Use of a higher voltage is dangerous and may result in a fire or other type of accident causing oven damage. Low voltage will cause slow cooking. In case your microwave oven does not perform normally in spite of proper voltage, remove and reinsert the plug.

### C. Placement of the Oven

Your microwave oven can be placed easily in your kitchen, family room, or anywhere else in your home. Place the oven on a flat surface such as a kitchen countertop or a specially designed microwave oven cart. Do not place oven above a gas or electric range. Free air flow around the oven is important. Allow at least 4 inches of space at the top, sides, and back of the oven for proper ventilation.

### D. Do not block the air vents

All air vents should be kept clear during cooking. If air vents are covered during oven operation the oven may overheat. In this case, a sensitive thermal safety device automatically turns the oven off. The oven will be inoperable until it has cooled sufficiently.

### E. Radio interference

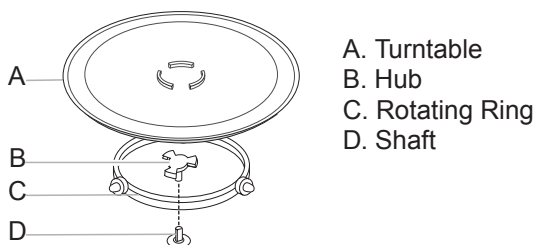
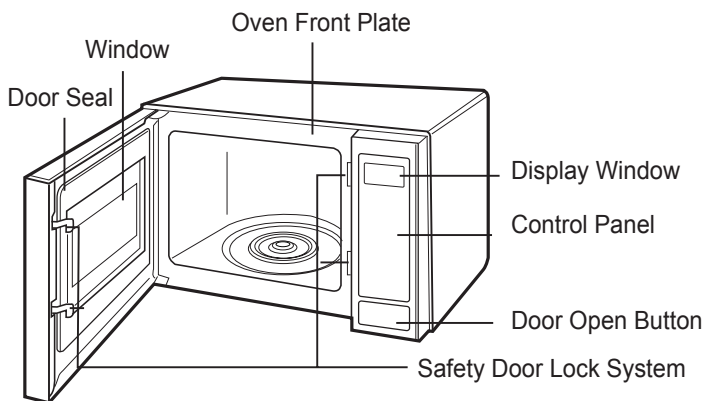
1. Microwave oven operation may interfere with TV or radio reception.
2. When there is interference, it may be reduced or eliminated by taking the following measures:
  - a. Clean the door and the sealing surfaces of the oven.
  - b. Reorient the receiving antenna of radio or television.
  - c. Relocate the microwave oven in relation to the TV or radio.
  - d. Move the microwave oven away from the receiver.
  - e. Plug the microwave oven into a different outlet so that microwave oven and receiver are on different branch circuits.

# UNDERSTANDING YOUR MICROWAVE OVEN

## PARTS AND ACCESSORIES

Your oven comes with the following accessories:

- 1 Use and Care Manual
- 1 Glass Turntable
- 1 Rotating Ring



NOTE: This microwave oven is designed for household use only. It is not recommended for commercial use.

# UNDERSTANDING YOUR MICROWAVE OVEN

## CONTROL PANEL

- 1. DISPLAY.** The display includes a clock and indicators that tell you time of day, cooking time settings, and cooking functions selected.
- 2. SENSOR TOUCH** Touch this pad to cook without entering a cook power or time.
  - 3. MELT.** Touch number pads to melt chocolate, cheese, butter, or marshmallows.
  - 4. SOFTEN.** Touch this pad to soften ice cream, cream cheese, butter, or frozen juice.
- 5. EXPRESS DEFROST.** Touch this pad to thaw only 1lb of food very quickly.
- 6. AUTO COOK.** Touch this pad to select programming food items.
  - 7. AUTO DEFROST.** Touch this pad to thaw ground meat, poultry, or steaks/chops by entering a weight.
- 8. NUMBER PADS.** Touch number pads to enter cooking time, power level, quantities, or weights.
- 9. COOK TIME.** Touch this pad to set a cooking time.
- 10. POWER.** Touch this pad to set a cooking power.
- 11. MORE.** Each time you touch this pad, you add 10 seconds to the cooking time.
- 12. LESS.** Each time you touch this pad, you subtract 10 seconds from the cooking time.
- 13. CLOCK.** Touch this pad to enter the time of day.
- 14. KITCHEN TIMER.** Touch this pad to use your microwave oven as a kitchen timer.
- 15. EZ ON.** Touch this pad to cook at 100% cook power for 30 seconds up to 3 minutes; after 3 minutes, every touch will add 1 minute up to 99 min 59 seconds.
- 16. START.** Touch this pad to start all entries and to turn Child Lock on or off.
- 17. STOP/CLEAR.** Touch this pad to stop the oven or clear entries.
  - ENERGY SAVING.** Touch this pad also to save energy.



# UNDERSTANDING YOUR MICROWAVE OVEN

## COOKWARE GUIDE

Most heat-resistant, non-metallic cookware is safe for use in your microwave oven. However, to test cookware before using, follow these steps:

1. Place the empty cookware in the microwave oven.
2. Measure 1 cup of water in a glass measuring cup and place it in the oven beside the cookware.
3. Microwave on 100% power for 1 minute. If the dish is warm, it **should not** be used for microwave cooking.

USE	DO NOT USE
<p><b>Ovenproof Glass</b></p> <ul style="list-style-type: none"> <li>• Glass treated for use in high-intensity heat includes utility dishes, bread dishes, pie plates, cake plates, liquid measuring cups, casseroles, and bowls without metallic trim.</li> </ul> <p><b>China</b></p> <ul style="list-style-type: none"> <li>• Bowls, cups, serving plates, and platters without metallic trim can be used in your oven.</li> </ul> <p><b>Plastic</b></p> <ul style="list-style-type: none"> <li>• When using plastic wrap as a cover, make sure that the dish is deep enough so the plastic wrap does not touch the food. As the food heats, it may melt the plastic wrap wherever the wrap touches the food.</li> <li>• Place plastic wrap loosely over the top of the dish and secure it by pressing the wrap to the sides of the dish.</li> <li>• Vent by turning back one corner of the plastic wrap. This will allow excess steam to escape.</li> <li>• Use plastic dishes, cups, semi-rigid freezer containers, and plastic bags <b>only for short time cooking. Use these with care because the plastic may soften from the heat of the food.</b></li> </ul> <p><b>Paper</b></p> <ul style="list-style-type: none"> <li>• Microwave-safe paper towels, waxed paper, paper napkins, and paper plates with no metallic trim or design can be used in your oven.</li> <li>• Refer to the manufacturer's label for use of any paper product in the microwave oven.</li> </ul>	<p><b>Metal Utensil</b></p> <ul style="list-style-type: none"> <li>• Metal shields food from microwave energy and produces uneven cooking. Avoid metal skewers, thermometers, or foil trays.</li> <li>• Metal utensils can cause arcing, which is a discharge of electric current. Arcing can damage your microwave oven.</li> </ul> <p><b>Metal Decoration</b></p> <ul style="list-style-type: none"> <li>• Do not use metal-trimmed or metal-banded dinnerware, casserole dishes, etc.</li> </ul> <p><b>Centura™ Tableware</b></p> <ul style="list-style-type: none"> <li>• The Corning Company recommends that you <b>do not use</b> Centura tableware and some Corelle™ closed-handle cups for microwave cooking.</li> </ul> <p><b>Aluminum Foil</b></p> <ul style="list-style-type: none"> <li>• Avoid large sheets of aluminum foil because they hinder cooking and may cause arcing.</li> <li>• Use small pieces of foil to shield poultry legs and wings.</li> <li>• Keep <b>all</b> aluminum foil at least 1 inch from the walls and door of the oven.</li> </ul> <p><b>Wood</b></p> <ul style="list-style-type: none"> <li>• Wooden bowls, boards, and baskets will dry out and may split or crack when you use them in the microwave oven.</li> </ul> <p><b>Tightly Closed Containers</b></p> <ul style="list-style-type: none"> <li>• Tightly closed cookware can explode. Be sure to leave an opening for steam to escape from covered cookware.</li> </ul> <p><b>Brown Paper</b></p> <ul style="list-style-type: none"> <li>• Avoid using brown paper bags. They absorb heat and could burn.</li> </ul> <p><b>Metal Twist Ties</b></p> <ul style="list-style-type: none"> <li>• Always remove metal twist ties as they can become hot and cause a fire.</li> </ul>

# UNDERSTANDING YOUR MICROWAVE OVEN

## TIPS FOR MICROWAVE COOKING

### BROWNING

Meat and poultry with high fat content that are cooked for 10 or 15 minutes or longer will brown lightly. Foods cooked a shorter time can be brushed with a browning agent, such as Worcestershire sauce, soy sauce, or barbecue sauce.

### COVERING

A cover traps heat and steam and causes the food to cook more quickly. Use a lid or microwave-safe plastic wrap with one corner folded back to vent the excess steam. Lids on glass casseroles can become hot during cooking. Handle carefully. Waxed paper will prevent the food from splattering in the oven and help retain heat. When warming bread items, use waxed paper, napkins, or paper towels. To absorb extra moisture, wrap sandwiches and fatty foods in paper towels.

### SPACING

Arrange individual foods, such as baked potatoes, cupcakes, and hors d'oeuvres in a circle and at least 1 inch apart. This will help the food cook more evenly.

### STIRRING

Stirring blends flavors and redistributes the heat in foods. Always stir from the outside toward the center of the dish. Food at the outside of the dish heats first.

### TURNING

Large foods, such as roasts and whole poultry, should be turned so that the top and bottom cook evenly. Also turn over chicken pieces and chops.

### ARRANGEMENT

Do not stack food. Arrange in a single layer in the dish for more even cooking. Because dense foods cook more slowly, place thicker portions of meat, poultry, fish, and vegetables toward the outside of the dish.

### TESTING FOR DONENESS

Because foods cook quickly in a microwave oven, you need to test frequently for doneness.

### STANDING TIME

Food often needs to stand from 2 to 15 minutes after you remove it from the oven. Usually, you need to cover food during standing time to retain heat. Remove most foods when they are slightly undercooked and they will finish cooking during standing time. The internal temperature of food will rise about 10 °F during standing time.

### SHIELDING

To prevent some portions of rectangular or square dishes from overcooking, you may need to shield them with small strips of aluminum foil to block the microwaves. You can also cover poultry legs and wing tips with foil to keep them from overcooking.

**Always keep foil at least 1 inch from oven walls** to prevent arcing.

### PIERCING

Pierce the shell, skin, or membrane of foods before cooking to prevent them from bursting. Foods that require piercing include yolks and whites of eggs, hot dogs, clams, oysters, and whole vegetables, such as potatoes and squash.

# UNDERSTANDING YOUR MICROWAVE OVEN

## PRECAUTIONS

- Place the front surface of the door three inches or more from the countertop edge to avoid accidental tipping of the microwave oven during normal use.
- To program the oven, make sure you touch the center of each pad firmly since the areas between the pads will not activate the oven. A tone will sound each time a pad is touched correctly. Don't touch several pads at once.
- Do not strike the control panel with silverware, utensils, etc. Breakage may occur.
- Always use caution when taking the cooking utensils out of the oven. Some dishes absorb heat from the cooked food and may be hot. See Cookware Guide earlier in this section for more information.
- Do not rinse cooking utensils by placing them in water immediately after cooking. This may cause breakage. Also, always allow the turntable to cool before removing it from the oven.
- Never operate the oven when it is empty. Food or water should always be in the oven during operation to absorb the microwave energy.
- Do not use the oven to dry newspapers or clothes. They may catch fire.
- Use thermometers that have been approved for microwave oven cooking.
- The turntable must always be in place when you operate the oven.
- Do not use your microwave oven to cook eggs in the shell. Pressure can build up inside the shell, causing it to burst.
- There are several precautions to follow when microwaving popcorn:
  - Do not pop popcorn, except in a microwave-safe container or commercial packages designed for microwave ovens.
  - Never try to pop popcorn in a paper bag that is not microwave-approved.
  - Overcooking may result in smoke and fire.
  - Do not repop unpopped kernels.
  - Do not reuse popcorn bags.
  - Listen while corn pops. Stop oven when popping slows to 2-3 seconds between pops.
  - Do not leave microwave unattended while popping corn.
  - Follow directions on bag.

## CLEANING

**NOTE:** Before cleaning the oven, unplug the power cord. If this is impossible, open the oven door to prevent an accidental oven start.

### INTERIOR

Wipe the oven inside and outside with a soft cloth and a mild detergent solution. Then rinse and wipe dry. This should be done weekly or more often, if needed. Never use cleaning powders or rough pads. Excessive oil splatters on the inside top will be difficult to remove if left for many days. Wipe splatters with a wet paper towel, especially after cooking chicken or bacon.

### REMOVABLE PARTS

The turntable and rotating ring are removable. They should be hand-washed in warm (not hot) water with a mild detergent and a soft cloth. Once they are clean, rinse well and dry with a soft cloth. Never use cleaning powders, steel wool, or rough pads.

- The turntable may be cleaned at the sink. Be careful not to chip or scratch the edges as this may cause the turntable to break during use.
- The rotating ring should be cleaned regularly.

### DOOR

For best performance and safety, the inner door panel and the oven front frame should be free of food or grease buildup. Wipe often with a mild detergent; then rinse and wipe dry. Never use cleaning powders or rough pads.

After cleaning the control panel, touch STOP/CLEAR to clear any entries that might have been entered accidentally while cleaning the panel. Also make sure that the turntable and rotating ring are in the right position.

# SETTING CLOCK

To set : 3:15

1. Touch **STOP/CLEAR**.
2. Touch **CLOCK**.
3. Enter the time by using the number key pads.  
**Example:** To set **3:15**, touch number key pads [3],[1] and [5].
4. Touch **CLOCK**. (or **START**)



CLOCK

3 1 5



**NOTE:** This is a 12 hour clock. You can switch between AM and PM by touching **CLOCK**.

# CHILD LOCK - OUT

This is unique safety feature that prevents accidental running of the oven. Once the child lock - out is set, no cooking can take place.

When the child lock - out is set, you can't input any key.

To set :

1. Touch **STOP/CLEAR**.
2. Touch and hold **START/ENTER** more than 4 seconds. **L** will appears in the display with two beeps.



To cancel child lock - out :

1. Touch and hold **START/ENTER** until **L** disappears in the display with two beeps.



# UTENSILS

ITEM	USE	COMMENTS
Disposable ovenable paperboard dishes	Cooking	Some frozen foods are packaged in these pans. Can be purchased in grocery stores.
Glassware Heat resistant oven glassware, glass-ceramic and ceramic, only	Cooking	Ideal for microwave cooking. May have many pieces available in your home. Do not use cracked or chipped dishes.
Oven cooking bags	Cooking	Follow manufacturers' directions. Close bag with either the nylon tie provided, a strip cut from the end of the bag, or a piece of cotton string. Do not close with metal twist tie. Make six 1/2-inch (1cm) slits by closure.
Parchment paper	Cooking	Use as a cover to prevent spattering.
Plastic Microwave-safe only, cooking and storage dishes	Cooking	Should be labeled, "Suitable for microwave heating." Check manufacturers' directions for recommended uses. Some microwave-safe plastic dishes are not suitable for cooking foods with high fat content.
Plastic wrap	Cooking	Use to cover foods during cooking to retain moisture.
Thermometers Microwave-safe, only	Cooking	Meat and candy thermometers are available.
Waxed paper	Cooking	Use as a cover to prevent spattering and to retain moisture.
Dinnerware Microwave-safe, only	Reheating and short term cooking	Check manufacturers' use and care directions for suitability for microwave heating. Some dinnerware may state on the back of the dish, "Microwave Oven Proof." Do not use cracked or chipped dishes.
Frozen dinner tray Aluminum	Reheating	Frozen dinners may be heated in foil tray, if tray is less than 3/4-inch (2cm) high. Place foil tray in center of oven. Leave at least 1-inch (2.5cm) space between foil tray and oven walls. Heat only 1 foil tray in the oven at a time. For containers more than 3/4-inch (2cm) deep, remove food and place in a similar size microwave-safe container.
Plastic	Reheating	Some frozen dinners have microwave-safe plastic trays.
Paper plates and cups	Reheating and short term cooking	Use to warm cooked foods and cook foods that require short cooking times such as wieners.
Paper towels and napkins	Reheating and cooking	Use to warm rolls and sandwiches. Use with supervision for a limited time only. Never use recycled paper.
Plastic Foam Cups	Reheating	Use to bring foods to a low serving temperature. Plastic foam will melt if foods reach a high temperature.
Aluminum foil	Shielding	Small strips of foil can be molded around thin parts of meat or poultry to prevent overcooking. Arcing can occur if foil is too close to oven wall.
Browning dish	Searing meats	Check browning dish information for instructions and heating chart. Do not preheat for more than 8 minutes.
Fast food carton with metal handle	None	May cause arcing.
Metal twist ties	None	They may cause arcing and could cause a fire in the oven.
Paper bags	None	May cause a fire in the oven.
Glass jars	Warming	Remove lid. Heat food until just warm. Most glass jars are not heat resistant and may break.

**TO TEST A CONTAINER FOR SAFE MICROWAVE OVEN USE:** Fill a 8 oz (250mL) glass measure with water and place it in the microwave oven along with the container to be tested; heat one minute at HIGH. If the container is microwave oven-safe, it should remain comfortably cool and the water should be hot. If the container is hot, it has absorbed some microwave energy and should not be used.

# SENSOR TOUCH OPERATION INSTRUCTION

Quick Touch Sensor cooking provides exciting new features to make microwave oven easier. Your new microwave oven will guide you, step by step, whether it be simply to reheat food or cook food and sensor menu with all the popular food choices helps you to cook perfectly because it has been pre-programmed and can tell how long to cook or reheat food items.

Categories : Sensor Touch Cook  
Sensor Touch Popcorn

1. The Sensor Touch system works by detecting a build-up of vapor.
2. Make sure the door remains closed.
3. Opening the door or touching the STOP/CLEAR pad before the vapor is detected will abort the process. The oven will stop.
4. Before using Sensor Touch, make sure the glass turntable is dry, to assure the best results.

## SENSOR TOUCH COOK

**SENSOR TOUCH COOK** allows you to cook most of your favorite food without having to select cooking times and power levels. This oven automatically determines required cooking times for each food item. This feature has 6 food categories.

Food item in the Sensor Touch Cook menu include:

1. Potato
2. Rice
3. Popcorn
4. Fresh Vegetable
5. Frozen Vegetable
6. Frozen Entree

**EXAMPLE :** To cook **FRESH VEGETABLE**, simply follow the steps below.

1. Touch **STOP/CLEAR**.



2. Touch **Fresh Vegetable**.

**Fresh  
Vegetable**

The oven begins the cooking you selected without the need to touch START.

# SENSOR TOUCH POPCORN

This feature makes preparation of microwave popcorn simple and quick... **one bag at a time.**

The automatic popcorn uses the HI power only.

The popping time counts down in the display.

When the popping time is over, two short and one long tones sound and End shows. Oven shuts off automatically.

Place one bag only(50-100g) of prepackaged microwave popcorn on a microwave-safe / oven-safe dish on the turntable. The package should be at room temperature.

1. Touch **STOP/CLEAR**.



2. Touch **Popcorn**.

Popcorn

The oven begins the cooking you selected without the need to touch START.

3. Open bag carefully. Popcorn and steam are extremely **hot**. Open bag by pulling top diagonal corners to avoid escaping steam.

## NOTE :

- If popcorn bag size is not known, follow manufacturers' instructions and do not use this feature.
- Do not use POPCORN key pad in combination with any other feature key pads.
- Do not attempt to reheat or cook any unpopped kernels.
- Do not reuse bag. Overcooking can result in an oven fire.
- Prepare one bag only at a time.
- Do not use popcorn popping devices in microwave oven with this feature.
- Do not leave microwave unattended while cooking popcorn.

**CAUTION :** Never use a brown paper bag for popping corn.



When popping prepackaged popcorn; Place carefully so the bag does not touch the oven walls. Fold each end of the bag in half toward the center top of the bag.

# MICROWAVING MADE EASY

Oven - guided cooking is a group of exciting new features to make microwaving easier. Your new microwave oven will guide you, step-by-step, whether it be simply to reheat food or to defrost and cook food. A blinking indicator informs you of every stage you are at in the process, and prompts you along, each step of the way. And an easy-to-use menu with all the popular food/beverage choice helps you to cook more perfectly because it has been pre-programmed and knows how long to cook, defrost or reheat various food items.

Called: **AUTO COOK**  
**MELT**  
**SOFTEN**  
**AUTO DEFROST**  
**EXPRESS DEFROST**

## AUTO COOK

Auto Cook made easy! Your oven's menu has been preprogrammed to automatically cook food. Tell the oven what you want and how many items there are. Then let your microwave oven cook your selections.

**EXAMPLE:** To cook 4 slices, of bacon simply follow the steps below.

1. Touch **STOP/CLEAR**.



2. Touch **AUTO COOK**.  
 'Ac-1' appears in the display.

**AUTO COOK**

3. Touch number **4**.  
 '4' appears in the display.

**4**

4. Touch **START**.



## AUTO COOK CHART

Code	Category	Direction	Amount
Ac-1	Bacon	Place bacon strips on microwave bacon rack for best results. (Use diner plate lined with paper towels if none available.)	2-6 slices
Ac-2	Frozen Roll/Muffin	Remove from display package and place on plate. (If muffins are over 3 oz. each, count as two when keying quantity.)	1-6 pieces. (2-3 ounces each)
Ac-3	Fresh Roll/Muffin	Remove from display package and place on plate. (If muffins are over 3 oz. each, count as two when keying quantity.)	1-6 pieces. (2-3 ounces each)
Ac-4	Beverage	Remove from display package and place on plate. (Be careful! The beverage will be very hot! Sometimes liquids heated in cylindrical containers will splash out when the cup is moved.)	1-2 cups
Ac-5	Chicken Pieces	Place th chicken pieces in an appropriately sized microwavable container, cover with plastic wrap, and vent.	1/2-2.0 lbs
Ac-6	Hot Cereal	Prepare as directed on package and cook. Stir and allow standing time before eating. Use only instant hot cereal.	1-6 servings

# MELT

The oven uses low power to melt foods (butter, chocolate, marshmallows and cheese). See the following table.

**EXAMPLE:** To Melt 8 oz. Chocolate.

1. Touch **STOP/CLEAR**.



2. Touch **MELT** twice.

**MELT**

3. Touch number **2**.

**2**

4. Touch **START**.



## MELT TABLE

Code	Category	Direction	Amount
1	<b>Butter/Margarine</b>	Unwrap and place in microwavable container. No need to cover butter. Stir at the end of cooking to complete melting.	1, 2 or 3 sticks
2	<b>Chocolate</b>	Chocolate chips or squares of baking chocolate may be used. Unwrap squares and place in microwavable container. Stir at the end of cycle to complete melting.	4 or 8 oz.
3	<b>Cheese</b>	Use processed cheese food only. Cut into cubes. Place in a single layer in microwavable container. Stir at the end of cooking to complete melting.	8 or 16 oz.
4	<b>Marshmallows</b>	Large or miniature marshmallows may be used. Place in microwavable container. Stir at the end of cycle to complete melting.	5 or 10 oz.

# SOFTEN

The oven uses low power to soften food (butter, ice cream, cream cheese, and frozen juice). See the following table.

**EXAMPLE:** To Soften a quart Ice Cream.

1. Touch **STOP/CLEAR**.



2. Touch **SOFTEN** twice.

**SOFTEN**

3. Touch number **2**.

**2**

4. Touch **START**.



## SOFTEN TABLE

Code	Category	Direction	Amount
1	<b>Butter</b>	Unwrap and place in microwavable container. No need to cover butter. Butter will be at room temperature and ready for use in recipe.	1, 2 or 3 sticks
2	<b>Ice Cream</b>	Place container in oven. Ice cream will be soft enough to make scooping easier.	Pint, Quart, Half gallon
3	<b>Cream Cheese</b>	Unwrap and place in microwavable container. Cream cheese will be at room temperature and ready for use in recipe.	3 or 8 oz.
4	<b>Frozen Juice</b>	Remove top. Place in oven. Frozen juice will be soft enough to easily mix with water.	6, 12 or 16 oz.

# AUTO DEFROST

The AUTO DEFROST feature is an accurate defrosting method for frozen ground meat poultry fish up to 6.0 lbs.

The oven automatically determines required defrosting times for each food item according to the weight you enter.

Simply tell the oven the type of your frozen food and enter the food weight. The oven calculates the rest.

For added convenience, the AUTO DEFROST Feature contains a built-in beep mechanism that lets you check, turn over, separate or rearrange as recommended in the express defrost chart in the last .

Three different defrosting levels are provided:

- 1 MEAT
- 2 POULTRY
- 3 FISH

**EXAMPLE:** To defrost 1.2 lbs of ground beef.

1. Touch **STOP/CLEAR**.
2. Touch **AUTO DEFROST** once.
3. Touch number **1** and **2**.
4. Touch **START**.



**AUTO DEFROST**

**1 2**



**NOTE:**

When you touch the START pad, the display changes to defrost time count down. The oven will beep during the DEFROST cycle. At each beep, open the door and turn over, separate, or rearrange the food. Remove any portions that have thawed. Return frozen portions to the oven and touch START to resume the defrost cycle.

- For best results, remove fish, shellfish, meat, and poultry from its original closed paper or plastic package (wrapper). Otherwise, the wrap will hold steam and juice close to the foods, which can cause the outer surface of the foods to cook.
- For best results, shape your ground meat into the form of a doughnut before freezing. When defrosting, scrape off thawed meat when the beep sounds and continue defrosting.
- Place foods in a shallow container or on a microwave roasting rack to catch drippings.
- Food should still be somewhat icy in the center when removed from the oven.

# EXPRESS DEFROST

The EXPRESS DEFROST feature provides you with the quick defrosting method for 1.0 pound frozen foods.

**EXAMPLE:** To defrost 1lb food.

1. Touch **STOP/CLEAR**.
2. Touch **EXPRESS DEFROST**.
3. Time counting down automatically.



**EXPRESS DEFROST**

## Ez ON

A time-saving pad, this simplified control lets you quickly set and start microwave cooking without the need to touch **START**.

**NOTE:** If you touch **EZ ON**, it will add 30 seconds up to 3 minutes; after 3 minutes, every touch will add 1 minute up to 99 min 59 seconds.

**EXAMPLE:** To set **EZ ON** cooking for 1 minute.

1. Touch **STOP/CLEAR**.
2. Touch **EZ ON** 2 times.
3. The oven begins cooking 1 minute and display shows time counting down.



**EZ-ON**

## KITCHEN TIMER

You can use the Kitchen Timer of your oven for purposes other than food cooking.

**Example :**

To count 3 minutes for an egg or telephone call.

1. Touch **STOP/CLEAR**.
2. Touch **KITCHEN TIMER**.
3. Touch numbers for time.  
**Example :** 3 minutes.  
Touch number key pads. [3],[0] and [0].
4. Touch **START**.



**KITCHEN  
TIMER**

**3 0 0**



## MORE / LESS

By using the MORE or LESS keys, AUTO COOK, and COOK TIME program can be adjusted to cook food for a longer or shorter time. Pressing MORE will add 10 seconds to the cooking time each time you press it. Pressing LESS will subtract 10 seconds of cooking time each time you press it.

**NOTE:**

Press the MORE or LESS pad during time countdown.

1. Touch **STOP/CLEAR**.
2. Touch **1, 0, 0**.
3. Touch **START**.
4. Touch **MORE** or **LESS**.



**1 0 0**



**LESS**      **MORE**

## TIME COOKING

This basic microwave cooking method allows you to cook food for a time period that you determine.

Set the time, and press START. Your oven begins cooking using its maximum power (HI POWER)

Foods with high moisture content should be cooked on maximum power, as this is the fastest cooking method and best maintains the natural flavour and texture of the foods.

**EXAMPLE:** To cook food on HI POWER for a 3 minutes 30 seconds.

1. Touch **STOP/CLEAR**.
2. Touch **COOK TIME**.
3. Enter cooking time by touching the number pads. Touch **[3]**, **[3]** and **[0]**
4. Touch **START**.



**COOK  
TIME**

**3 3 0**



## EAERGY SAVING

ENERGY SAVING feature saves energy by turning off the display. This feature only operates when the STOP/Clear (ENERGY SAVING) button is touched and then cancels when the door is opened or any button is touched.

Touch **STOP/Clear**

The display will go out and ENERGY SAVING will be active.

Touch **STOP/Clear** or **any other button** to cancel this feature when it is on.



# USING MULTI-POWER LEVELS

For foods requiring slower cooking, your oven also provides 10 different power settings.

The Multi-Power feature lets you choose a lower power level over the automatic HI (maximum oven power), so that food can be cooked more slowly.

Refer to the Multi-Power Setting Guide for the most suitable cooking level of various foods.

**EXAMPLE:** To cook food on 80% Power (Power 8) for a 5 minutes 30 seconds.

1. Touch **STOP/CLEAR**.
2. Touch **COOK TIME**.
3. Enter cooking time by touching the number pads. Touch **[5]**, **[3]** and **[0]**
4. Touch **POWER**.
5. Touch **8**.
6. Touch **START**.



**COOK TIME**

**5 3 0**

**POWER**

**8**



# MULTI-POWER SETTING GUIDE

POWER LEVEL	OUTPUT (OF WATTS)	COOKING EXAMPLES
0	0	Standing time Indepartment timer
1	10%	Softening cream cheese. Keeping casseroles and main dishes warm.
2	20%	Softening chocolate. Heating breads, rolls, pancakes, tacos, tortillas and French toast. Clarifying butter. Taking the chill out of fruit. Heating small amounts of food.
3	30%	Thawing bread, small quantity of most food. Completing the cooking cycle of casseroles, stews and sauces. Cooking small quantities of most food.
4	40%	Cooking less tender cuts of meat in liquid or slow-cooking dishes. Completing the cooking cycle of less tender roasts.
5	50%	Cooking stews and soups after bringing to a boil. Cooking baked custards and pasta.
6	60%	Cooking scrambled eggs. Baking cakes.
7	70%	Cooking rump roast, ham, veal and lamb. Cooking cheese dishes. Cooking eggs and milk.
8	80%	Reheating precooked or prepared food quickly.
9	90%	Cooking onions, celery and green peppers quickly. Reheating meat slices quickly.
10(HIGH) Automatic	100%	Cooking poultry, fish, vegetables and most casseroles. Preheating the browning dish. Boiling water.

# COOKING TIPS

**⚠ WARNING: Do not use aluminum foil during cooking cycle.**

## COOKING TIPS

### Meat

1. No special techniques are required. Meat should be prepared as with conventional cooking. Season if desired. Always thoroughly defrost meat before cooking.
2. Place the meat on a microwave roasting rack or microwave-proof plate and place on the turntable.
3. Cook according to the Meat Cooking Table (below). Use the longer time for large cuts of meats and the shorter time for small cuts of meats. For thicker chops, use the longer time.
4. Turn the meat once halfway through the cooking time.
5. **Let stand** for 5~10 minutes wrapped in foil after cooking. The standing time is very important as it completes the cooking process.
6. Make sure meat, especially pork, is thoroughly cooked before eating.

### Poultry

1. No special techniques are required. Poultry should be prepared as with conventional cooking. Season if desired.
2. Poultry should be thoroughly defrosted. Remove giblets and any metal clamps.
3. Prick the skin and brush lightly with vegetable oil unless the poultry is self-basting.
4. All poultry should be placed on a microwave roasting rack or a microwave-proof plate and placed on the turntable.
5. Cook according to the instructions in the Poultry Cooking Table below. Turn over halfway through the cooking time. Because of its shape, poultry has a tendency to cook unevenly, especially in very bony parts. Turning during roasting helps to cook these areas evenly.
6. **Let stand** for 5~10 minutes wrapped in foil after cooking before carving. The standing time is very important, since it completes the cooking process.
7. Make sure poultry is thoroughly cooked before eating. Whole poultry is completely cooked when the juices run clear from the inside thigh when it is pierced with a sharp knife. Poultry pieces should be pierced with a sharp knife through the thickest part to ensure that the juices are clear and the flesh is firm.

### Meat Cooking Table

Meat	Microwave Power	Cooking Time Per Pound
<b>BEEF</b>		
Standing/Rolled Rib		
– Medium	8	9½ to 11½ minutes
– Well-done	8	11½ to 14 minutes
Ground Beef (to brown for casserole)	HIGH (100%)	6½ to 9½ minutes
Hamburgers, Fresh or defrosted (4 oz. each)		
– 2 patties	HIGH (100%)	2½ to 4½ minutes
– 4 patties	HIGH (100%)	3½ to 5½ minutes
<b>PORK</b>		
Loin, Leg	8	12½ to 16½ minutes
Bacon		
– 4 slices	HIGH (100%)	2½ to 3½ minutes
– 6 slices	HIGH (100%)	3½ to 4½ minutes

**NOTE:** The times listed above are only a guide. Allow for difference in individual tastes and preferences. The times may also vary due to the shape, cut, and composition of the food.

### Poultry Cooking Table

Poultry	Microwave Power	Cooking Time Per Pound
<b>CHICKEN</b>		
Whole	8	11 to 15 minutes
Breast (boned)	8	10 to 14 minutes
Portions	8	11 to 17 minutes
<b>TURKEY</b>		
Whole	8	11 to 15 minutes

### NOTES:

- The times listed above are only a guide. Allow for difference in individual tastes and preferences. The times may also vary due to the shape, cut, and composition of the food.
- If whole poultry is stuffed, the weight of the stuffed bird should be used when calculating the cooking time.

# COOKING TIPS

## COOKING TIPS (continued)

### Fish

1. Arrange fish in a large shallow non-metallic dish or casserole.
2. Cover with pierced microwave plastic wrap or casserole lid.
3. Place the dish on the turntable.
4. Cook according to the instructions in the Fresh Fish Cooking Table below. Flakes of butter can be added to the fish if desired.
5. Let stand as directed in the Cooking Table before serving.
6. After standing time, check to see that the fish is thoroughly cooked. The fish should be opaque and flake easily.

### Fresh Fish Cooking Table

Fish	Microwave Power	Cooking Time Per Pound	Butter	Standing Time
Fish Fillets	HIGH	4½ to 8 minutes	Add 15 to 30 ml (1 to 2 tbsp lemon juice)	2 to 3 minutes
Whole Mackerel, Cleaned and Prepared	HIGH	4½ to 8 minutes	–	3 to 4 minutes
Whole Trout, Cleaned and Prepared	HIGH	5½ to 9 minutes	–	3 to 4 minutes
Salmon Steaks	HIGH	5½ to 8 minutes	Add 15 to 30 ml (1 to 2 tbsp lemon juice)	3 to 4 minutes

# HEATING OR REHEATING GUIDE

To heat or reheat successfully in the microwave, it is important to follow several guidelines. Measure the amount of food in order to determine the time needed to reheat. Arrange the food in a circular pattern for best results. Room temperature food will heat faster than refrigerated food. Canned foods should be taken out of the can and placed in a microwavable container. The food will be heated more evenly if covered with a microwavable lid or plastic wrap and vented. Remove cover carefully to prevent steam burns. Use the following table as a guide for reheating cooked food.

Items	Cook time (at HIGH)	Special Instructions
Sliced meat 3 slices (1/4-inch thick)	1-2 minutes	Place sliced meat on microwavable plate. Cover with plastic wrap and vent. *Note: Gravy or sauce helps to keep meat juicy.
Chicken pieces 1 breast 1 leg and thigh	2-3 1/2 minutes 1 1/2-3 minutes	Place chicken pieces on microwavable plate. Cover with plastic wrap and vent.
Fish fillet (6-8 oz.)	2-4 minutes	Place fish on microwavable plate. Cover with plastic wrap and vent.
Lasagna 1 serving (10 1/2 oz.)	6-8 minutes	Place lasagna on microwavable plate. Cover with plastic wrap and vent.
Casserole 1 cup 4 cups	1-3 1/2 minutes 5-8 minutes	COOK covered in microwavable casserole. Stir once halfway through cooking.
Casserole – cream or cheese 1 cup 4 cups	1 1/2-3 minutes 3 1/2-5 1/2 minutes	COOK covered in microwavable casserole. Stir once halfway through cooking.
Sloppy Joe or Barbecued beef 1 sandwich (1/2 cup meat filling) without bun	1-2 1/2 minutes	Reheat filling and bun separately. Cook filling covered in microwavable casserole. Stir once. Heat bun as directed in table below.
Mashed potatoes 1 cup 4 cups	1-3 minutes 5-8 minutes	COOK covered in microwavable casserole. Stir once halfway through cooking.
Baked beans 1 cup	1 1/2-3 minutes	COOK covered in microwavable casserole. Stir once halfway through cooking.
Ravioli or pasta in sauce 1 cup 4 cups	2 1/2-4 minutes 7 1/2-11 minutes	COOK covered in microwavable casserole. Stir once halfway through cooking.
Rice 1 cup 4 cups	1 1/2-3 1/2 minutes 4-6 1/2 minutes	COOK covered in microwavable casserole. Stir once halfway through cooking.
Sandwich roll or bun 1 roll	15-30 seconds	Wrap in paper towel and place on glass microwavable rack
Vegetables 1 cup 4 cups	1 1/2-2 1/2 minutes 4-6 minutes	COOK covered in microwavable casserole. Stir once halfway through cooking.
Soup 1 serving (8 oz.)	1 1/2-2 1/2 minutes	COOK covered in microwavable casserole. Stir once halfway through cooking.

# FRESH VEGETABLE TABLE

Vegetable	Amount	Cook time at HIGH	Instructions	Standing Time
Artichokes (8oz. each)	2 medium 4 medium	5~8 10~13	Trim. Add 2 tsp water and 2 tsp juice. Cover.	2-3 minutes
Asparagus, Fresh, Spears	1lb.	3~6	Add 1/2 cup water. Cover.	2-3 minutes
Beans, Green & Wax	1 lb.	6~10	Add 1/2 cup water in 1 1/2 qt. casserole. Stir halfway through cooking.	2-3 minutes
Beets, Fresh	1 lb.	10~14	Add 1/2 cup water in 1 1/2 qt. covered casserole. Rearrange halfway through cooking.	2-3 minutes
Broccoli, Fresh, Spears	1lb.	4~6	Place broccoli in baking dish. Add 1/2 cup water.	2-3 minutes
Cabbage, Fresh, Chopped	1lb.	4~6	Add 1/2 cup water in 1 1/2 qt. covered casserole. Stir halfway through cooking.	2-3 minutes
Carrots, Fresh, Sliced	2 cups	2~4	Add 1/4 cup water in 1 qt. covered casserole. Stir halfway through cooking.	2-3 minutes
Cauliflower, Fresh, Whole	1lb.	4~6	Trim. Add 1/4 cup water in 1 qt. covered casserole. Stir halfway through cooking.	2-3 minutes
Flowerettes, Fresh Celery, Fresh, Sliced	2 cups 4 cups	2 1/2~4 4~6	Slice. Add 1/2 cup water in 1 1/2 qt. covered casserole. Stir halfway through cooking.	2-3 minutes
Corn, Fresh	2 ears	4~8	Husk. Add 2 tbsp water in 1 1/2 qt. baking dish. Cover.	2-3 minutes
Mushrooms, Fresh, Sliced	1/2 lb.	2~3 1/2	Place mushrooms in 1 1/2 qt. covered casserole. Stir halfway through cooking.	2-3 minutes
Parsnips, Fresh, Sliced	1lb.	4~6	Add 1/2 cup water in 1 1/2 qt. covered casserole. Stir halfway through cooking.	2-3 minutes
Peas, Green, Fresh	4 cups	6~8	Add 1/2 cup water in 1 1/2 qt. covered casserole. Stir halfway through cooking.	2-3 minutes
Sweet Potatoes Whole Baking (6-8 oz. each)	2 medium 4 medium	5~8 7~12	Pierce potatoes several times with fork. Place on 2 paper towels. Turn over halfway through cooking.	2-3 minutes 2-3 minutes
White Potatoes, Whole Baking (6-8 oz. each)	2 potatoes 4 potatoes	6~9 10~14	Pierce potatoes several times with fork. Place on 2 paper towels. Turn over halfway through cooking.	2-3 minutes 2-3 minutes
Spinach, Fresh, Leaf	1lb.	3~6	Add 1/2 cup water in 2 qt. covered casserole.	2-3 minutes
Squash, Acorn or Butternut, Fresh	1 medium	5~7	Cut squash in half. Remove seeds. Place in 8 x 8-inch baking dish. Cover.	2-3 minutes
Zucchini, Fresh, Sliced	1lb.	4~6	Add 1/2 cup water in 1 1/2 qt. covered casserole. Stir halfway through cooking.	2-3 minutes
Zucchini, Fresh, Whole	1lb.	5~8	Pierce. Place on 2 paper towels. Turn zucchini over and rearrange halfway through cooking.	2-3 minutes

# TROUBLESHOOTING

## Questions and Answers

### Operation

Question	Answer
Why is the oven light not on during cooking?	There may be several reasons why the oven light is not on. Have you: <ul style="list-style-type: none"> <li>• Set a cooking time?</li> <li>• Touched START?</li> <li>• Checked the light bulb?</li> </ul>
Why does steam come out of the air exhaust vent?	Steam is normally produced during cooking. The microwave oven has been designed to vent this steam.
Will the microwave oven be damaged if it operates empty?	Yes. Never operate the oven empty or without the glass turntable.
Does microwave energy pass through the viewing screen in the door?	No. The metal screen bounces the energy back to the oven cavity. The holes (or ports) allow only light to pass through. They do not let microwave energy pass through.
Why does a tone sound when a pad on the control panel is touched?	The tone tells you that the setting has been entered.
Can my microwave oven be damaged if food is cooked for too long?	Like any other cooking appliance, it is possible to overcook food to the point that the food creates smoke and even possibly fire, and damage to the inside of the oven. It is always best to be near the oven while you are cooking.
When the oven is plugged into wall outlet for the first time, it might not work properly. What is wrong?	The microcomputer controlling your oven may temporarily become scrambled and fail to function as programmed when you plug in for the first time or when power resumes after a power interruption. Unplug the oven from the 120 volt household outlet and then plug it back in to reset the microcomputer.
Why do I see light reflection around the outer case?	This light is from the oven light which is located between the oven cavity and the outer wall of the oven.
What are the various sounds I hear when the microwave oven is operating?	The clicking sound is caused by a mechanical switch turning the microwave oven's magnetron ON and OFF. The heavy hum and clunk is from the change in power the magnetron draws as it is turned ON and OFF by a mechanical switch. The change in blower speed is from the change in line voltage caused by the magnetron being turned ON and OFF.

### Food

Question	Answer
What is wrong when baked foods have a hard, dry, brown spot?	A hard, dry, brown spot indicates overcooking. Shorten the cooking or reheating time.
Why do eggs sometimes pop?	When baking, frying, or poaching eggs, the yolk may pop due to steam build-up inside the yolk membrane. To prevent this, simply pierce the yolk with a wooden toothpick before cooking. <b>CAUTION:</b> Never microwave eggs in the shell.

# TROUBLESHOOTING

## Questions and Answers (continued)

### Food

Question	Answer
Why are scrambled eggs sometimes a little dry after cooking?	Eggs will dry out when they are overcooked, even if the same recipe is used each time. The cooking time may need to be varied for one of these reasons: <ul style="list-style-type: none"> <li>• Eggs vary in size.</li> <li>• Eggs are at room temperature one time and at refrigerator temperature another time.</li> <li>• Eggs continue cooking during standing time.</li> </ul>
Is it possible to pop popcorn in a microwave oven?	Yes, if using one of the two methods described below: (1) microwave-popping devices designed specifically for microwave cooking (2) prepackaged commercial microwave popcorn that is made for specific times and power output needed <b>Follow exact directions given by each manufacturer for its popcorn popping product and do not leave the oven unattended while the corn is being popped. If corn fails to pop after the suggested time, discontinue cooking. Overcooking could result in an oven fire.</b> <b>CAUTION:</b> <ul style="list-style-type: none"> <li>• Never use a brown paper bag for popping corn or attempt to pop leftover kernels.</li> <li>• Do not pop prepackaged commercial microwave popcorn directly on the glass turntable. To avoid excessive heating of the glass turntable, place the popcorn bag on a plate.</li> <li>• Listen while corn pops. Stop oven when popping slows to 2-3 seconds between pops.</li> <li>• Do not leave microwave unattended while popping corn.</li> <li>• Follow directions on bag.</li> </ul>
Why do baked apples sometimes burst during cooking?	The peel has not been removed from the top half of each apple to allow for expansion of the interior of the apple during cooking. As in conventional cooking methods, the interior of the apple expands during the cooking process.
Why do baked potatoes sometimes burn during cooking?	If the cooking time is too long, fire could result. At the end of the recommended cooking time, potatoes should be slightly firm. <b>CAUTION: Do not overcook.</b>
Why is a standing time recommended after microwave cooking time is over?	Standing time allows foods to continue cooking evenly for a few minutes after the actual microwave oven cooking cycle. The amount of standing time depends upon the density of the foods.
Why is additional time required for cooking food stored in the refrigerator?	As in conventional cooking, the initial temperature of food affects total cooking time. You need more time to cook food taken out of a refrigerator than for food at room temperature.

# TROUBLESHOOTING

## Before Calling for Service

You can often correct operating problems yourself. If your microwave oven fails to work properly, locate the operating problem in the list below and try the solutions listed for each problem.

If the microwave oven still does not work properly, contact the nearest GoldStar Authorized Service Center. GoldStar Authorized Service Centers are fully equipped to handle your service requirements.

Problem	Possible Causes
Oven does not start	<ul style="list-style-type: none"><li>• Is the power cord plugged in?</li><li>• Is the door closed?</li><li>• Is the cooking time set?</li></ul>
Arcing or Sparking	<ul style="list-style-type: none"><li>• Are you using approved cookware?</li><li>• Is the oven empty?</li></ul>
Incorrect time of day	<ul style="list-style-type: none"><li>• Have you tried to reset the time of day?</li></ul>
Unevenly Cooked Foods	<ul style="list-style-type: none"><li>• Are you using approved cookware?</li><li>• Is the glass turntable in the oven?</li><li>• Did you turn or stir the food while it was cooking?</li><li>• Were the foods completely defrosted?</li><li>• Was the time/cooking power level correct?</li></ul>
Overcooked Foods	<ul style="list-style-type: none"><li>• Was the time/cooking power level correct?</li></ul>
Undercooked Foods	<ul style="list-style-type: none"><li>• Are you using approved cookware?</li><li>• Were the foods completely defrosted?</li><li>• Was the time/cooking power level correct?</li><li>• Are the ventilation ports clear?</li></ul>
Improper Defrosting	<ul style="list-style-type: none"><li>• Are you using approved cookware?</li><li>• Was the time/cooking power level correct?</li><li>• Did you turn or stir the food during the defrosting cycle?</li></ul>

**⚠ WARNING:** This product contains chemicals known to the State of California to cause cancer and birth defects or other reproductive harm.

***Wash hands after handling.***

**LG ELECTRONICS CANADA, INC.  
LIMITED WARRANTY - Canada**

**WARRANTY:** Should your LG Microwave (“Product”) fail due to a defect in material or workmanship under normal home use during the warranty period set forth below, LG Canada will at its option repair or replace the Product upon receipt of proof of original retail purchase. This warranty is valid only to the original retail purchaser of the product and applies only to a Product distributed in Canada by LG Canada or an authorized Canadian distributor thereof. The warranty only applies to Products located and used within Canada.

<b>WARRANTY PERIOD: (Note: If the original date of purchase can not be verified, the warranty will begin sixty (60) days from the date of manufacture).</b>	
<b>Over-the-Range / All Convection / Microwaves in Built-in application / All other Microwave Oven</b>	<b>Extended Component Warranty (Parts Only)</b>
<b>One (1) year from the date of original retail purchase</b>	<b>Five (5) years from the date of original retail purchase</b>
Parts and Labor (In-Home ; OTR & Convection) (internal/functional parts only)	Magnetron Only

- ⊗ Replacement products and parts are warranted for the remaining portion of the original warranty period or ninety (90) days, whichever is greater.
- ⊗ Replacement products and parts may be new or remanufactured.
- ⊗ LG Authorized Service Center warranties their repair work for thirty (30) days.

**LG CANADA’S SOLE LIABILITY IS LIMITED TO THE WARRANTY SET OUT ABOVE. EXCEPT AS EXPRESSLY PROVIDED ABOVE, LG CANADA MAKES NO AND HEREBY DISCLAIMS ALL OTHER WARRANTIES AND CONDITIONS RESPECTING THE PRODUCT, WHETHER EXPRESS OR IMPLIED, INCLUDING, BUT NOT LIMITED TO, ANY IMPLIED WARRANTY OR CONDITION OF MERCHANTABILITY OR FITNESS FOR A PARTICULAR PURPOSE, AND NO REPRESENTATIONS SHALL BE BINDING ON LG CANADA. LG CANADA DOES NOT AUTHORIZE ANY PERSON TO CREATE OR ASSUME FOR IT ANY OTHER WARRANTY OBLIGATION OR LIABILITY IN CONNECTION WITH THE PRODUCT. TO THE EXTENT THAT ANY WARRANTY OR CONDITION IS IMPLIED BY LAW, IT IS LIMITED TO THE EXPRESS WARRANTY PERIOD ABOVE.**

**LG CANADA, THE MANUFACTURER OR DISTRIBUTOR SHALL NOT BE LIABLE FOR ANY INCIDENTAL, CONSEQUENTIAL, SPECIAL, DIRECT OR INDIRECT DAMAGES, LOSS OF GOODWILL, LOST PROFITS, PUNITIVE OR EXEMPLARY DAMAGES OR ANY OTHER DAMAGE, WHETHER ARISING DIRECTLY OR INDIRECTLY FROM ANY CONTRACTUAL BREACH, FUNDAMENTAL OR OTHERWISE, OR FROM ANY ACTS OR OMISSIONS, TORT, OR OTHERWISE.**

This warranty gives you specific legal rights. You may have other rights which may vary from province to province depending on applicable provincial laws. Any term of this warranty that negates or varies any implied condition or warranty under provincial law is severable where it conflicts with provincial law without affecting the remainder of this warranty’s terms.

**THIS LIMITED WARRANTY DOES NOT COVER:**

1. Service trips to deliver, pick up, or install the product; instructing a customer on operation of the product; repair or replacement of fuses or correction of wiring, or correction of unauthorized repairs/installation.
2. Failure of the product to perform during power failures and interruptions or inadequate electrical service.
3. Damage caused by leaky or broken water pipes, frozen water pipes, restricted drain lines, inadequate or interrupted water supply or inadequate supply of air.
4. Damage resulting from operating the Product in a corrosive atmosphere or contrary to the instructions outlined in the Product owner’s manual.
5. Damage to the Product caused by accidents, pests and vermin, lightning, wind, fire, floods, or acts of God.
6. Damage resulting from the misuse, abuse, improper installation, repair, or maintenance of the Product. Improper repair includes use of parts not approved or specified by LG Canada.
7. Damage or product failure caused by unauthorized modification or alteration, or use for other than its intended purpose, or resulting from any water leakage due to improper installation.
8. Damage or Product failure caused by incorrect electrical current, voltage, commercial or industrial use, or use of accessories, components, or cleaning products that are not approved by LG Canada.
9. Damage caused by transportation and handling, including scratches, dents, chips, and/or other damage to the finish of your product, unless such damage results from defects in materials or workmanship and is reported within one (1) week of delivery.
10. Damage or missing items to any display, open box, discounted, or refurbished Product.
11. Products with original serial numbers that have been removed, altered, or cannot be readily determined. Model and Serial numbers, along with original retail sales receipt, are required for warranty validation.
12. Increases in utility costs and additional utility expenses.
13. Replacement of light bulbs, filters, or any consumable parts.
14. Repairs when your Product is used in other than normal and usual household use (including, without limitation, commercial use, in offices or recreational facilities) or contrary to the instructions outlined in the Product owner’s manual.
15. Costs associated with removal of the Product from your home for repairs.
16. The removal and reinstallation of the Product if it is installed in an inaccessible location or is not installed in accordance with published installation instructions, including the Product owner’s and installation manuals.
17. Accessories to the Product such as door bins, drawers, handles, shelves, etc.. Also excluded are parts besides those that were originally included with the Product.

All costs associated with the above excluded circumstances shall be borne by the consumer.

**For complete warranty details and customer assistance, please call or visit our website:**

Call 1-888-542-2623 (24 hours a day, 365 days a year) and select the appropriate option from the menu, or visit our website at <http://www.lg.ca>

**Write your warranty information below:**

**Product Registration Information:**

**Model:**

**Serial Number:**

**Date of Purchase:**



**LG**

Life's Good

# MANUEL DE L'UTILISATEUR FOUR À MICRO-ONDES

LISEZ ATTENTIVEMENT CE MANUEL  
AVANT DE METTRE L'APPAREIL EN MARCHÉ.

LMS1531\*\*



P/No. : MFL38260005

[www.lg.com](http://www.lg.com)

# DTABLE DES MATIÈRES

<b>Sécurité</b> .....	<b>3-4</b>
Précaution à exercer pour éviter une éventuelle exposition à l'énergie des micro-ondes .....	3
Instructions de liaison à la terre.....	3
Instructions de sécurité importantes .....	4
<b>Votre four à micro-ondes</b> .....	<b>5-11</b>
Spécifications.....	5
Installation.....	5
Composants et accessoires.....	6
Tableau de commande .....	7
Guide de sélection des ustensiles de cuisson.....	8-9
Conseils pour la cuisson aux micro-ondes.....	9-10
Précautions.....	10
Nettoyage.....	11
Réglage de la pendule .....	12
Verrouillage enfant .....	12
Ustensiles .....	13
Instructions de fonctionnement de capteur à touche .....	14
Cuire à capteur à touche .....	14
Mais à éclater à capteur à touche .....	15
Facilité du micro-ondes .....	16
Cuisson automatique .....	16
Fondre .....	17
Adoucir .....	18
Décongélation automatique .....	19
Express Décongélation .....	19
Ez on .....	20
Minuterie de cuisine .....	20
Dfonction plus/moins(more/less) .....	20
Cuisson minutée .....	21
Économie D'énergie .....	21
Utilisation des niveaux multi puissance.....	22
Guide de cuisson à multi-niveaux d'intensité .....	22
Conseils pour la cuisson .....	23-25
Guide de chauffage/réchauffage .....	26-27
Tableau de cuisson des légumes frais .....	28-29
Diagnostic .....	30-33
Garantie .....	34

## PRÉCAUTION À EXERCER POUR ÉVITER UNE ÉVENTUELLE EXPOSITION À L'ÉNERGIE DES MICRO-ONDES

- **Ne pas tenter de faire fonctionner ce four lorsque la porte est ouverte;** le fonctionnement du four lorsque la porte est ouverte peut soumettre toute personne présente à une exposition à l'énergie des micro-ondes. Il est important de ne pas circonvier ou entraver le fonctionnement des dispositifs d'interverrouillage de sécurité.
- **Ne placer aucun objet entre la face avant du four et la porte,** et veiller à ne pas laisser des saouillures ou résidus de produits de nettoyage s'accumuler sur les surfaces de contact.
- **Ne pas faire fonctionner le four s'il est endommagé.** Il est particulièrement important que la porte du four se ferme parfaitement et qu'il n'y ait aucune détérioration :
  - de la porte (déformation),
  - des charnières et loquets (brisés ou desserrés),
  - des joints de la porte et des surfaces de contact.
- **Seul un technicien qualifié est habilité à effectuer des réglages ou réparations sur cet appareil.**

## INSTRUCTIONS DE LIAISON À LA TERRE

Cet appareil doit être électriquement relié à la terre. Advenant un court-circuit, la liaison à la terre de l'appareil permet au courant électrique de retourner à la terre, et protège l'utilisateur contre un choc électrique. Cet appareil est doté d'un cordon d'alimentation qui comporte un conducteur de liaison à la terre et une fiche à trois broches, pour liaison à la terre. On doit brancher cette fiche sur une prise de courant reliée à la terre et correctement installée.



Avant de faire fonctionner l'appareil, vérifier qu'il est correctement relié à la terre

### **⚠ AVERTISSEMENT**

Une liaison à la terre déficiente suscite un risque de choc électrique. En cas de difficulté de compréhension des instructions de liaison à la terre, ou en cas d'incertitude quant à la qualité de la liaison à la terre de l'appareil, consulter un électricien qualifié; de plus :

1. S'il est nécessaire d'utiliser un câble de rallonge, choisir un câble à 3 conducteurs comportant une fiche de branchement à 3 broches et une prise de raccordement à

3 alvéoles pouvant recevoir la fiche de branchement de l'appareil. La capacité de transport de courant du câble de rallonge doit être égale ou supérieure à la demande de courant de l'appareil, soit. . . .

2. De préférence, ne pas utiliser un câble de rallonge. Si le cordon d'alimentation est trop court, demander à un électricien qualifié d'installer une prise de courant à proximité de l'appareil.

### **NOTES:**

1. Le cordon d'alimentation court fourni avec l'appareil réduit le risque d'emmêlement et de trébuchement.
2. Il est possible d'installer un cordon d'alimentation plus long ou un câble de rallonge; on doit alors exercer les précautions appropriées.
3. En cas d'utilisation d'un cordon d'alimentation long ou d'un câble de rallonge, (1) la capacité de transport de courant du cordon ou du câble de rallonge doit être au moins égale à la demande de courant de l'appareil, (2) le câble de rallonge doit être un câble à 3 conducteurs, avec liaison à la terre, (3) le cordon d'alimentation devrait être placé de telle manière qu'il ne pende pas sur le bord du comptoir de cuisine ou d'une table, afin que des enfants ne puissent tirer dessus et que personne ne risque de trébucher en passant.

# SÉCURITÉ

## INSTRUCTIONS DE SÉCURITÉ IMPORTANTES

Les instructions de sécurité ci-dessous expliquent comment utiliser le four sans risque de dommages corporels ou matériels.

**⚠ AVERTISSEMENT** - Pour réduire le risque de brûlure, choc électrique, incendie, dommages corporels ou exposition à une dose excessive d'énergie des micro-ondes :

1. Lire la totalité des instructions avant d'utiliser l'appareil.
2. Lire et respecter les **PRÉCAUTIONS À EXERCER POUR ÉVITER UNE ÉVENTUELLE EXPOSITION À L'ÉNERGIE DES MICRO-ONDES** présentées à la page 3 de ce manuel.
3. Cet appareil doit être électriquement relié à la terre. Utiliser uniquement une prise de courant reliée à la terre. Voir les **INSTRUCTIONS DE LIAISON À LA TERRE**, à la page 3 de ce manuel.
4. Lors de l'installation et du choix de l'emplacement de cet appareil, respecter les instructions fournies.
5. Certains produits comme œufs entiers et contenants fermés – par exemple un pot de verre fermé – peuvent exploser; on ne doit pas les chauffer dans ce four.
6. Utiliser cet appareil uniquement pour les applications prévues et décrites dans ce manuel. Ne pas utiliser dans cet appareil, un produit chimique corrosif ou susceptible d'émettre des vapeurs. Ce type de four est spécifiquement conçu pour les opérations de chauffage, cuisson ou déshydratation de produits alimentaires. Il n'est pas prévu pour une utilisation industrielle ou de laboratoire.
7. Comme pour tout autre appareil ménager, une supervision attentive des enfants présents est nécessaire.
8. Ne pas faire fonctionner cet appareil si le cordon d'alimentation ou la fiche de branchement est endommagé, s'il ne fonctionne pas correctement, ou s'il a été endommagé ou a subi une chute.
9. Seul un personnel technique qualifié est habilité à exécuter des travaux sur cet appareil. Pour toute opération d'inspection, réparation ou réglage, contacter le plus proche établissement de service agréé.
10. Ne pas recouvrir ou obstruer les ouvertures de ventilation de l'appareil.
11. Ne pas remiser cet appareil à l'extérieur. Ne pas utiliser cet appareil à proximité d'eau – par exemple près de l'évier de cuisine, dans un sous-sol humide ou à proximité d'une piscine, etc.
12. Ne pas immerger le cordon d'alimentation ou la fiche de branchement dans de l'eau.
13. Ne pas approcher le cordon d'alimentation d'une surface chauffée.
14. Ne pas laisser le cordon d'alimentation pendre sur le bord d'une table ou d'un plan de travail.
15. Pour le nettoyage des surfaces de la porte et du four qui entrent en contact lors de la fermeture de la porte, utiliser uniquement un savon ou détergent doux et non abrasif appliqué avec une éponge ou un chiffon doux.
16. Pour réduire le risque d'incendie dans la cavité du four :
  - a. Ne pas cuire excessivement les aliments. Surveiller attentivement l'appareil s'il a fallu placer dans la cavité un article de papier, plastique ou autre matériau combustible pour faciliter la cuisson.
  - b. Enlever les attaches de fil métallique des sachets de plastique ou de papier, avant de les placer dans le four.
  - c. En cas d'inflammation d'un matériau placé à l'intérieur du four, **LAISSER LA PORTE DU FOUR FERMÉE**; arrêter le four; débrancher le cordon d'alimentation ou interrompre l'alimentation au niveau du tableau de distribution électrique de la maison.
  - d. Ne pas utiliser la cavité du four comme espace de rangement. Ne pas laisser des produits de papier, ustensiles de cuisson ou aliments dans la cavité du four lorsqu'il n'est pas utilisé.
17. Les liquides comme l'eau, le café ou le thé peuvent être chauffés au-delà du point d'ébullition sans montrer qu'ils sont en ébullition. Des bulles ou une ébullition visible ne sont pas toujours présentes quand le récipient est retiré du four à micro-ondes. **CELA PEUT PROVOQUER L'ÉBULLITION SOUDAINE DE LIQUIDES TRÈS CHAUDS QUAND LE RÉCIPIENT EST AGITÉ OU QUAND UNE CUILLÈRE, OU D'AUTRES USTENSILES, SONT PLONGÉS DANS LE LIQUIDE.** Pour réduire ce risque de blessures personnelles : 1) Ne réchauffez pas trop le liquide. 2) Remuez le liquide avant et à mi-cuisson. 3) N'utilisez pas de récipients de forme droites avec un col étroit. 4) Après le réchauffement, laissez le récipient dans le four à micro-ondes pendant quelques instants avant de retirer le récipient. 5) Faites très attention quand vous plongez une cuillère ou un autre ustensiles dans le récipient.
18. Éviter de chauffer dans le four des récipients à goulot étroit, comme un flacon de sirop.
19. Éviter d'utiliser un produit corrosif ou émetteur de vapeur, comme sulfure ou chlorure.
20. Un liquide chauffé dans un récipient d'une forme particulière (particulièrement un récipient cylindrique) peut subir un échauffement excessif local. Le liquide peut émettre des projections accompagnées d'un fort bruit pendant ou après le chauffage, ou lors de l'addition d'un ingrédient (café instantané, etc.), ce qui peut détériorer le four ou provoquer des blessures. Quel que soit le récipient utilisé, pour l'obtention du meilleur résultat, remuer le liquide plusieurs fois avant de le soumettre au chauffage. Veiller à toujours remuer un liquide plusieurs fois avant de le réchauffer.

## CONSERVER CES INSTRUCTIONS

# VOTRE FOUR À MICRO-ONDES

## SPÉCIFICATIONS

MODÈLE	LMS1531
Alimentation électrique	120 V CA, 60 Hz
Consommation d'énergie	1500 W
Énergie restituée (micro-ondes)	*1100 W
Fréquence	2450 MHz
Demande de courant	13.5 A
Dimensions externes (l x h x p)	21 <sup>7/8</sup> po x 12 <sup>1/2</sup> po x 17 <sup>7/32</sup> po
Dimensions de la cavité (l x h x p)	15 <sup>27/32</sup> po x 10 <sup>7/16</sup> po x 15 <sup>27/32</sup> po
Capacité de la cavité du four	1.5 pi. cu.

\*CARACTÉRISTIQUES SELON NORME IEC 60705  
Spécifications sujettes à modification sans préavis.

## INSTALLATION

### A. Circuits

Pour des raisons de sécurité, on doit brancher ce four sur un circuit 15 ou 20 A, qui ne devrait alimenter aucun autre appareil électrique ou luminaire. En cas de doute, consulter un électricien qualifié.

### B. Avertissement - Tension

La tension disponible sur la prise de courant murale doit être identique à celle spécifiée sur la plaque signalétique du four (à l'arrière ou sur le côté du tableau de commande du four). L'alimentation du four sous une tension plus élevée serait dangereuse, et peut susciter un incendie ou autre type d'accident provoquant une détérioration du four. Une tension inférieure peut ralentir la cuisson. Advenant que le four ne fonctionne pas correctement, même s'il est alimenté sous la tension correcte, débrancher puis rebrancher la fiche.

### C. Choix de l'emplacement du four

On peut facilement installer le four à micro-ondes dans la cuisine, une salle commune, ou partout ailleurs dans la résidence. Il suffit de placer le four sur une surface plane comme plan de travail d'une cuisine, ou sur un chariot spécialement conçu pour le four à micro-ondes. Ne pas placer le four au-dessus d'une cuisinière à gaz ou électrique. Il est important que l'air puisse circuler librement autour du four. Veiller à laisser un espace libre d'au moins 4 po au-dessus, sur les côtes et à l'arrière du four, pour l'air puisse circuler correctement.

### D. Ne pas obstruer les événements d'aération

Il faut que l'air puisse circuler librement par tous les événements d'aération pendant la cuisson. Si les événements d'aération sont obstrués ou recouverts, le four peut surchauffer. Dans ce cas, un dispositif de sécurité sensible à la température déclenche automatiquement l'arrêt du four. Le four ne pourra pas fonctionner avant qu'il se soit suffisamment refroidi.

### E. Radio-interférences

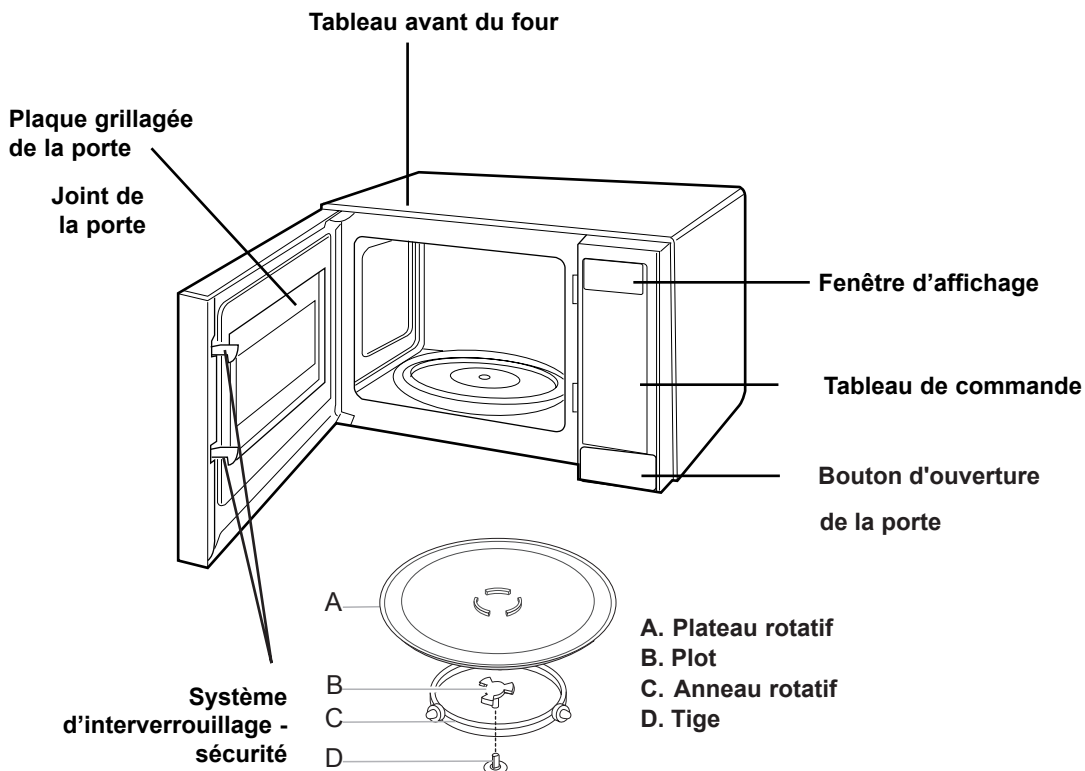
1. Le fonctionnement du four à micro-ondes peut perturber la réception des ondes de radio ou de télévision.
2. S'il y a des interférences, appliquer les mesures suivantes pour les éliminer ou les réduire :
  - a. Nettoyer la porte et les surfaces de contact entre la porte et le four.
  - b. Réorienter l'antenne du récepteur de radio ou de télévision.
  - c. Modifier la position relative du four à micro-ondes et du récepteur de télévision ou de radio.
  - d. Éloigner le four à micro-ondes du récepteur.
  - e. Brancher le four à micro-ondes sur une prise de courant différente, afin que le four à micro-ondes et le récepteur soient alimentés par des circuits différents.

# VOTRE FOUR À MICRO-ONDES

## COMPOSANTS ET ACCESSOIRES

Le four à micro-ondes est fourni avec les accessoires suivants :

- 1 Manuel d'utilisation et d'entretien
- 1 Plateau rotatif de verre
- 1 Anneau rotatif

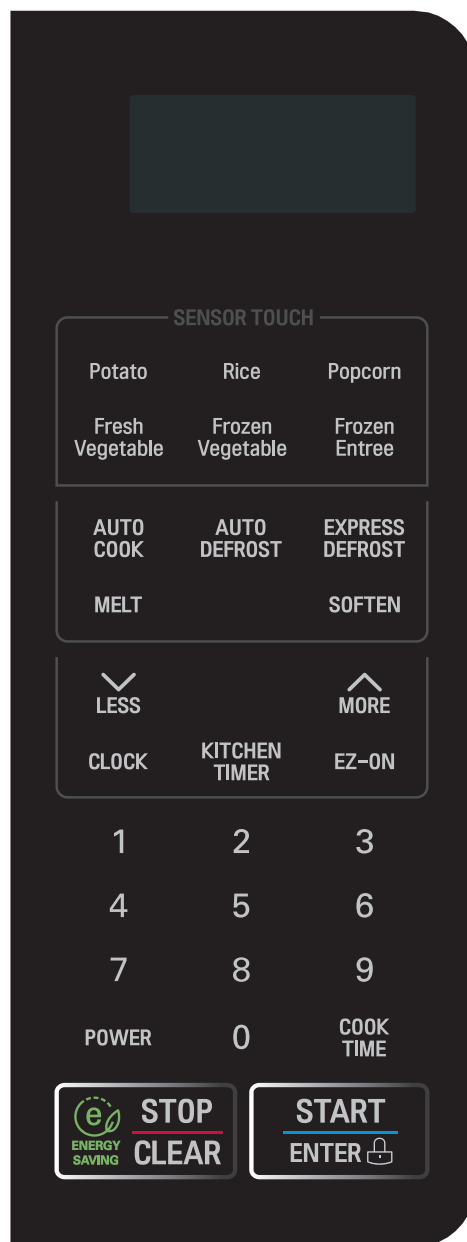


**NOTE :** Ce four à micro-ondes est conçu uniquement pour une application résidentielle. Son utilisation dans une application commerciale est déconseillée.

# VOTRE FOUR À MICRO-ONDES

## TABLEAU DE COMMANDE

- 1. AFFICHEUR.** L'afficheur comprend une horloge et des témoins lumineux pour l'affichage de heure, temps de cuisson, et fonctions de cuisson utilisées.
- 2. POMMES DE TERRE (TOUCHE UNIQUE).** Appuyer sur cette touche pour cuisiner sans entrer la puissance de chauffage ou la durée.
- 3. Fundir.** Appuyer sur cette touche pour faire fondre le choclote, le fromage, le beurre ou les mashmallows.
- 4. Ablandar.** Appuyer sur cette touche pour adoucir de la glace, du fromage frais, du beurre, ou du jus congelé.
- 5. DÉCONGÉLATION-EXPRESS.** Appuyer sur cette touche pour décongeler seulement 1 livre d'aliments très vite.
- 6. AUTO COOK .** Appuyer sur cette touche pour choisir des articles d'aliments de programmation.
- 7. DÉCONGÉLATION AUTOMATIQUE.** Appuyer sur cette touche pour décongeler viande, volaille ou pois-son; il suffit d'entrer le poids.
- 8. CLAVIER NUMÉRIQUE.** Appuyer sur ces touches pour entrer temps de cuisson, puissance de chauffage, quantité ou poids.
- 9. TEMPS DE CUISSON.** Appuyer sur cette touche pour définir un temps de cuisson.
- 10. PUISSANCE DE CHAUFFAGE.** Appuyer sur cette touche pour sélectionner une puissance de chauffage.
- 11. PLUS.** Chaque fois qu'on appuie sur cette touche, on ajoute 10 secondes au temps de cuisson.
- 12. MOINS.** Chaque fois qu'on appuie sur cette touche, on réduit le temps de cuisson de 10 secondes.
- 13. HORLOGE.** Appuyer sur cette touche pour entrer l'heure.
- 14. MINUTERIE.** Appuyez sur cette touche pour utiliser votre four à micro-ondes comme une minuterie de cuisine.
- 15. EZ ON.** Appuyer sur cette touche pour définir une période de cuisson de 30 secondes-jusqu'à 3 minutes-de cuisson. Après 3 minutes, chaque pression de la touche ajoutera 1 minute-jusqu'à 99 minutes, 59 secondes.
- 16. DÉMARRER.** Touchez ce bouton pour démarrer toutes les fonctions et pour activer ou désactiver la fonction de verrouillage pour enfants.
- 17. ARRÊTER/EFFACER .** Touchez ce bouton pour arrêter le four ou pour effacer les réglages établis.  
**Économie D'énergie.**  
Appuyez sur cette touche pour économiser de l'énergie.



# VOTRE FOUR À MICRO-ONDES

## GUIDE DE SÉLECTION DES USTENSILES DE CUISSON

On peut utiliser en sécurité dans le four à micro-ondes la plupart des ustensiles non métalliques résistants à la chaleur. On peut cependant tester un ustensile avant de l'utiliser, comme suit :

1. Placer l'ustensile vide dans le four à micro-ondes.
2. Placer dans le four, à côté de l'ustensile, un récipient à mesure en verre contenant une tasse d'eau.
3. Exécuter une période de chauffage d'une minute au niveau de puissance de 100%. Si l'ustensile s'échauffe, il est préférable de ne pas l'utiliser pour la cuisson au four à micro-ondes.

UTILISER	NE PAS UTILISER
<p><b>Verre résistant à la chaleur</b></p> <ul style="list-style-type: none"><li>• Verre traité pour résister à une chaleur intense, comme plats utilitaires, plats à pain, plats à tarte, plats à gâteaux, récipients à mesure, ustensiles pour mets en sauce et bols sans garniture métallique.</li></ul> <p><b>Faïence/porcelaine</b></p> <ul style="list-style-type: none"><li>• Bols, tasses, vaisselle de service et plats, sans garniture métallique.</li></ul> <p><b>Plastique</b></p> <ul style="list-style-type: none"><li>• Lors de l'utilisation d'une feuille de plastique pour recouvrir un mets, veiller à ce que le plat soit suffisamment profond pour que la feuille de plastique ne touche pas les aliments. Lors du chauffage du mets, la feuille de plastique pourrait fondre aux points de contact avec les aliments.</li><li>• Placer la feuille de plastique par-dessus l'ustensile sans la tendre, et appliquer fermement la zone périphérique de la feuille sur les bords du plat.</li><li>• Relever un angle de la feuille de plastique pour ménager un évent. Ceci permettra à l'excès de vapeur de s'échapper.</li><li>• Utiliser des articles de plastique – plats, tasses, récipients semi-rigides pour congélateur, et sachets de plastique – seulement pour une cuisson de brève durée. Surveiller le comportement de ces articles, car très souvent le plastique peut s'amollir sous l'effet de la chaleur émise par les aliments.</li></ul>	<p><b>Ustensiles métalliques</b></p> <ul style="list-style-type: none"><li>• Tout article métallique réfléchit les micro-ondes et les empêche d'atteindre les aliments, ce qui suscite une cuisson non uniforme. Éviter de placer dans le four des articles comme brochettes métalliques, thermomètre, barquettes d'aluminium.</li><li>• Les ustensiles métalliques peuvent provoquer la formation d'arcs (une décharge de courant électrique). Les arcs ainsi formés peuvent détériorer le four à micro-ondes.</li></ul> <p><b>Décoration métallique</b></p> <ul style="list-style-type: none"><li>• Ne pas utiliser des plats ou ustensiles, etc., comportant une bande métallique ou une garniture métallique.</li></ul> <p><b>Ustensile Centura<sup>MC</sup></b></p> <ul style="list-style-type: none"><li>• La compagnie Corning recommande de <b>ne pas utiliser</b> pour la cuisson au micro-ondes les ustensiles Centura et certaines tasses Corelle<sup>MC</sup> à anse fermée.</li></ul> <p><b>Papier d'aluminium</b></p> <ul style="list-style-type: none"><li>• Éviter d'employer des feuilles d'aluminium de grande taille, parce qu'elles ralentissent la cuisson et peuvent provoquer la formation d'arcs.</li><li>• Utiliser éventuellement de petits morceaux de feuille d'aluminium pour protéger les extrémités des ailes et pilons des volailles.</li><li>• Veiller à ce que les morceaux de feuille d'aluminium soient placés à au moins 1 po des parois et de la porte du four.</li></ul> <p><b>Bois</b></p> <ul style="list-style-type: none"><li>• Les articles de bois (bol, planche, panier) s'assèchent sous l'effet des micro-ondes et peuvent se fissurer dans le four.</li></ul> <p><b>Récipients à fermeture étanche</b></p> <ul style="list-style-type: none"><li>• Un ustensile fermé de manière étanche peut exploser. Veiller à laisser une ouverture pour que la vapeur puisse s'échapper d'un ustensile couvert.</li></ul>

# VOTRE FOUR À MICRO-ONDES

## GUIDE DE SÉLECTION DES USTENSILES DE CUISSON (suite)

UTILISER	NE PAS UTILISER
<p><b>Papier</b></p> <ul style="list-style-type: none"><li>• On peut utiliser dans le four à micro-ondes des articles de papier résistant aux micro-ondes, comme serviettes de papier, papier paraffiné, essuie-tout et assiettes de papier, sans garniture métallique.</li><li>• Avant d'utiliser un quelconque produit de papier dans le four à micro-ondes, consulter l'information de l'étiquette du fabricant.</li></ul>	<p><b>Papier Kraft</b></p> <ul style="list-style-type: none"><li>• Éviter d'utiliser des sacs de papier kraft (brun, marron). Ce matériau absorbe la chaleur et peut brûler.</li></ul> <p><b>Attaches métalliques</b></p> <ul style="list-style-type: none"><li>• Enlever toujours les attaches métalliques; elles peuvent s'échauffer et provoquer un incendie.</li></ul>

## CONSEILS POUR LA CUISSON AUX MICRO-ONDES

### BRUNISSAGE

Une pièce de viande ou de volaille à teneur élevée en matières grasses brunit légèrement lorsqu'on la cuit pendant 10 ou 15 minutes. Pour brunir un aliment soumis à une cuisson plus courte, badigeonner un agent de brunissage comme sauce Worcestershire, sauce au soja ou sauce barbecue.

### RECOUVREMENT

Un ustensile couvert retient la chaleur et la vapeur, et la cuisson est plus rapide. Utiliser un couvercle ou une feuille de plastique résistant aux micro-ondes (laisser un angle relevé pour que l'excès de vapeur puisse s'échapper). Le couvercle d'un ustensile de verre (pour mets en sauce) peut devenir très chaud pendant la cuisson. Manipuler les ustensiles prudemment. Une feuille de papier paraffiné contribue à la rétention de la chaleur, et empêche les projections d'atteindre les parois du four. Lors du réchauffage d'articles à base de pain, utiliser du papier paraffiné, des essuie-tout ou des serviettes de papier. Pour absorber l'excès d'humidité, envelopper les sandwichs et aliments gras dans des serviettes de papier.

### ESPACEMENT

Répartir les divers articles, par exemple des pommes de terre, gâteaux et hors-d'œuvre, sur un cercle, en les espaçant d'au moins un pouce. On obtient ainsi une cuisson plus uniforme.

### REMUAGE

Le fait de remuer un mets permet de répartir les saveurs et de redistribuer la chaleur. Exécuter toujours le remuage depuis l'extérieur et vers le centre du plat. Les aliments qui se trouvent sur la périphérie du plat s'échauffent d'abord.

### RETOURNEMENT

Pour qu'un aliment de grande taille – rôti, volaille entière – soit cuit uniformément d'un bord à l'autre, on doit le retourner au cours de la cuisson. Retourner également les morceaux de poulet et côtelettes.

### RÉPARTITION

Ne pas empiler les aliments. Répartir les morceaux en une seule couche sur le plat pour obtenir une cuisson plus uniforme. Comme la cuisson d'un aliment dense est plus lente, placer les parties épaisses (viande, volaille, poisson, légumes) vers l'extérieur du plat.

### ÉVALUATION DU DEGRÉ DE CUISSON

La cuisson des aliments dans un four à micro-ondes est plus rapide; on doit donc évaluer plus fréquemment l'avancement de la cuisson.

### PÉRIODE D'ATTENTE

On doit fréquemment soumettre un mets à une période d'attente de 2 à 15 minutes après l'avoir retiré du four. Il suffit habituellement de couvrir le mets pendant cette période d'attente pour retenir la chaleur. Dans la plupart des cas, on doit retirer un mets du four alors qu'il n'est pas encore parfaitement cuit; la cuisson se poursuit pendant la période d'attente. Pendant cette période d'attente, la température interne d'un aliment augmente d'environ 10 °F.

Suite à la page suivante

# VOTRE FOUR À MICRO-ONDES

## CONSEILS POUR LA CUISSON AUX MICRO-ONDES (suite)

### ÉCRAN DE PROTECTION

Pour éviter une cuisson excessive dans certaines parties d'un plat rectangulaire ou carré, il peut être nécessaire de protéger ces parties avec de petits morceaux de feuille d'aluminium, qui réduiront l'exposition de ces parties aux micro-ondes. On peut également recouvrir les extrémités des ailes et pilons d'une volaille avec de la feuille d'aluminium pour empêcher une cuisson excessive. **Veiller à toujours placer ces morceaux de feuille d'aluminium à au moins 1 po des parois du four**, pour qu'il n'y ait pas de formation d'arcs.

### PERÇAGE

On doit toujours percer la coquille, peau ou membrane de certains aliments, pour qu'ils n'éclatent pas. C'est le cas pour jaunes et blancs d'œuf, hot-dogs, huîtres et autres mollusques, et certains légumes comme pommes de terre et courge.

## PRÉCAUTIONS

- Placer le four sur le plan de travail de telle manière que la surface avant de la porte soit située à trois pouces ou plus du bord du comptoir, pour éviter tout risque de basculement du four lors de l'utilisation normale.
- Pour la programmation du four, appuyer fermement au centre de chaque touche; le contact du doigt entre les touches ne produit aucun effet. Lorsqu'on appuie correctement sur une touche, l'appareil émet un signal sonore. Ne pas appuyer simultanément sur plusieurs touches.
- Ne pas heurter la surface du tableau de commande avec cuillère, fourchette, ustensile, etc.; ceci pourrait le briser.
- Procéder toujours avec prudence pour retirer un ustensile du four. Certains plats absorbent la chaleur rayonnée par les aliments au cours de la cuisson, et ils peuvent être chauds. Pour d'autre information, consulter le Guide de sélection des ustensiles présenté à une page précédente de cette section.
- Ne pas immerger un ustensile dans de l'eau immédiatement après la cuisson pour le rincer. Ce choc thermique pourrait le briser. Laisser également le plateau rotatif refroidir avant de le retirer du four.
- Ne jamais faire fonctionner le four lorsqu'il est vide. Il faut toujours qu'il y ait dans le four un aliment ou de l'eau, capable d'absorber l'énergie des micro-ondes.
- Ne pas utiliser le four pour sécher un journal ou des vêtements. Ces articles peuvent s'enflammer.
- Utiliser un thermomètre qui a été approuvé pour l'utilisation dans un four à micro-ondes.
- Lors de l'utilisation du four, il faut toujours que le plateau rotatif soit en place.
- Ne pas utiliser le four à micro-ondes pour cuire des œufs dans leur coquille. La pression qui s'établira dans un œuf en provoquera l'éclatement.
- Pour la cuisson de pop-corn au micro-ondes, on doit exercer plusieurs précautions :
  - Utiliser uniquement un récipient compatible avec les micro-ondes, ou un emballage commercial conçu pour l'utilisation dans un four à micro-ondes.
  - Ne jamais essayer de faire éclater le pop-corn dans un sachet de papier qui n'est pas homologué pour l'exposition aux micro-ondes.
  - Une cuisson excessive peut provoquer l'émission de fumée ou l'inflammation.
  - Ne pas essayer de nouveau de faire éclater les grains qui n'ont pas éclaté initialement.
  - Ne pas réutiliser les sachets de pop-corn.
  - Écouter le son émis pendant l'éclatement des grains. Arrêter le four lorsque l'intervalle entre les éclatements atteint 2 à 3 secondes.
  - Ne pas laisser le four à micro-ondes sans surveillance pendant l'opération d'éclatement des grains de maïs.
  - Respecter le mode d'emploi figurant sur le sachet.

# VOTRE FOUR À MICRO-ONDES

## NETTOYAGE

**NOTE** : Avant de nettoyer le four, débrancher le cordon d'alimentation. Si ce n'est pas possible, ouvrir la porte du four pour éviter une mise en marche accidentelle.

### INTÉRIEUR

Essuyer les surfaces internes et externes du four avec un linge doux, imbibé d'une solution de détergent doux. Rincer ensuite, et essuyer pour sécher. Exécuter cette opération de nettoyage chaque semaine, ou plus fréquemment si c'est nécessaire. Ne jamais utiliser une poudre à récurer ou un tampon à récurer. L'accumulation excessive de projections d'huile sur le plafond de la cavité sera difficile à éliminer si on attend trop longtemps. Frotter la surface avec une serviette de papier humidifiée pour enlever les taches dues aux projections, particulièrement après la cuisson de poulet ou de bacon.

### PIÈCES AMOVIBLES

Le plateau rotatif et l'anneau rotatif sont amovibles. On doit laver ces pièces à la main dans de l'eau tiède (pas très chaude), avec un détergent doux et un linge doux. Ensuite, bien rincer et sécher avec un linge doux. Ne jamais utiliser poudre de nettoyage, laine d'acier ou tampon à récurer.

- On peut nettoyer le plateau rotatif dans l'évier. Veiller à ne pas érafler/écailler les bords, car ensuite le plateau rotatif pourrait se briser au cours d'une utilisation.
- Nettoyer l'anneau rotatif à intervalles réguliers.

### PORTE

Pour maximiser la performance et la sécurité, veiller à ne pas laisser de la graisse ou des débris alimentaires s'accumuler sur la face interne de la porte et sur le cadre avant du four. Nettoyer fréquemment ces surfaces avec un détergent doux, puis rincer et sécher par essuyage. Ne jamais utiliser une poudre de nettoyage ou un tampon à récurer.

Après le nettoyage du tableau de commande, appuyer sur la touche STOP/CLEAR pour effacer toute information qui aurait pu être entrée accidentellement pendant le nettoyage du tableau de commande. Veiller également à réinstaller le plateau rotatif et l'anneau rotatif à la position correcte.

# RÉGLAGE DE LA PENDULE

## Pour ajuster l'heure à 3:15:

1. Appuyez sur la touche d'arrêt/annulation **STOP/CLEAR**.
2. Appuyez sur la touche de l'heure **CLOCK**.
3. Entrez l'heure en vous servant des touches numériques.  
**Par exemple:** pour ajuster l'horloge à 3:15, appuyez sur les chiffres [3], [1] et [5].
4. Appuyez sur la touche de départ **START**.



CLOCK

3 1 5



# VERROUILLAGE ENFANT

Cette caractéristique unique sert à verrouiller le clavier des touches afin d'empêcher la mise en marche accidentelle du four à micro-ondes. Une fois le verrouillage engagé, on ne peut plus activer les touches du clavier.

## Pour activer le verrouillage:

1. Appuyez sur la touche **STOP/CLEAR**.
2. Appuyez sur la touche **START** et tenez-la enfoncée jusqu'à ce que les lettres **L** (verrouillé) apparaissent à l'affichage et que vous entendiez deux bips sonores.



## Pour annuler la fonction de verrouillage à l'épreuve-des enfants:

1. Appuyez sur la touche **START** et tenez-la enfoncée jusqu'à ce que les lettres **L** (verrouillé) disparaissent de l'affichage.



# USTENSILES

ARTICLE	USAGE	COMMENTAIRES
Plat jetable en papier ou carton	Cuire	Certains aliments sont emballés dans ce genre de plat. Ils s'achètent dans les épiceries.
Verrerie Verre réfractaire, Céramique ou céramique vitrifiée	Cuire	Idéal pour la cuisson à micro-ondes. Vous en avez sûrement chez vous. N'utilisez pas des ustensiles fendus ou ébréchés.
Sac de cuisson au four	Cuire	Suivez les instructions du fabricant. Fermez le sac avec l'attache en nylon fournie, une bande coupée du bout du sac ou un morceau de ficelle. Ne fermez pas avec une attache métallique. Faites 6 fentes d'1/2"(1cm) avant de fermer.
Papier parchemin	Cuire	Couvrez-en le plat pour éviter que les aliments éclaboussent le four.
Plastique ustensile de cuisson ou de rangement à micro-ondes	Cuire	Doit porter l'indication "Résiste aux micro-ondes". Voyez les instructions du fabricant. Certains ustensiles en plastique résistant aux micro-ondes ne conviennent pour un aliment à haute teneur en gras.
Pellicule plastique	Cuire	Couvrez-en le plat pour que les aliments gardent leur jus.
Thermomètre à micro-ondes seulement	Cuire	Il existe des thermomètres spéciaux pour la viande ou la confiserie.
Papier ciré	Cuire	Couvrez-en le plat pour éviter que les aliments perdent leur jus ou éclaboussent le four.
Vaisselle résistante aux micro-ondes seulement	Réchauffer et cuire pendant une durée très courte	Voyez les instructions du fabricant pour savoir si les ustensiles conviennent à la cuisson au micro-ondes. Il est parfois indiqué au dos de la vaisselle "Résistant au four à micro-ondes". N'utilisez pas des ustensiles fendus ou ébréchés.
Plateau de repas-TV en aluminium	Réchauffer	Les repas congelés peuvent être réchauffés dans le plateau en métal si ce dernier est moins de 3/4" de haut. Placez-le au centre du four. Laissez au moins 1"(2,5cm) entre le plateau et les parois. Chauffez un plateau à la fois. Pour des ustensiles plus profonds que 3/4" (2cm), retirez les aliments et mettez-le dans un plat à micro-ondes.
En plastique	Réchauffer	Certains repas-TV se vendent dans des plateaux en plastique à micro-ondes.
Assiette ou gobelet en carton	Réchauffer et cuire pendant une courte durée	Utilisez-les pour chauffer des aliments cuits ou cuire des aliments exigeant des courtes durées de cuisson, comme des saucisses fumées.
Essuie-tout ou serviettes de papier	Réchauffer et cuire	Pour chauffer des petits pains ou des sandwichs. Surveillez la cuisson qui doit être courte. N'utilisez pas du papier recyclé.
Gobelet en styromousse	Réchauffer	Pour réchauffer légèrement les aliments. Le styromousse va fondre si les aliments deviennent très chauds.
Papier d'aluminium	Protéger	Enroulez des petites bandes d'aluminium autour des parties minces de viande ou de volaille pour empêcher de les cuire trop. Si l'aluminium est trop près des parois, des étincelles peuvent se produire.
Plat à rissoler	Dorer la viande	Voyez les instructions pour cuire ou chauffer dans le plat à rissoler. Ne préchauffez pas plus de 8 minutes.
Carton de mets minute à poignées en métal	Néant	Peut causer la formation d'étincelles.
Attaches en métal	Néant	Elles peuvent causer la formation d'étincelles et provoquer un feu dans le four.
Sacs en papier	Néant	Peut causer un feu dans le four.
Bocal en verre	Chauffer	Ne couvrez pas. Chauffez les aliments jusqu'à tiède. La plupart des bocaux ne résistent pas à la chaleur et peuvent éclater.

**POUR VÉRIFIER SI UN RÉCIPIENT CONVIENT AUX MICRO-ONDES:** Remplissez un verre de 8 oz (250mL) d'eau et mettez-le dans le four à micro-ondes avec le récipient à vérifier. Faites chauffer pendant une minute à HIGH. Si le récipient convient à la cuisson au four à micro-ondes, il n'est pas devenu chaud mais l'eau doit être chaude. Si le récipient est chaud, cela signifie qu'il a absorbé l'énergie des micro-ondes et ne doit pas être utilisé dans ce four.



# MAÏS À ÉCLATER À CAPTEUR À TOUCHE

Cette fonction permet de préparer simplement et rapidement du maïs soufflé au four à micro-ondes...**un paquet à la fois.**

Cette fonction utilise l'intensité maximale (HI).

Le compte à rebours de la durée de cuisson apparaît à l'affichage.

Mettez seulement un sac de maïs pré-emballé, spécial pour four à micro-ondes, sur le plateau tournant. Le maïs devrait être à température ambiante.

1. Pressez **STOP/CLEAR.**



2. Pressez **Popcorn.**

Popcorn

Le four recommence à réchauffer les aliments sans que vous deviez presser la touche START.

3. Ouvrez le sac avec prudence. Le maïs et la vapeur sont extrêmement chauds. Coupez les conis supérieurs en diagonale pour laisser la vapeur s'échapper.

## REMARQUES:

- Si le sac de maïs ne pèse pas entre, suivez les instructions du fabricant et n'utilisez pas cette fonction automatique.
- N'utilisez pas la touche POPCORN avec une autre touche de fonction.
- N'essayez pas de réchauffer ou de cuire des grains de maïs non éclatés.
- Ne réutilisez pas le sac. Ne faites pas trop cuire le maïs, car vous risquez de causer un feu.
- Faites éclater un seul sac à la fois.
- N'utilisez pas de dispositif spécial pour faire éclater le maïs dans un four à micro-ondes avec cette fonction.

**MISE EN GARDE:** N'utilisez pas un sac en papier brun ordinaire pour faire éclater le maïs.



Plier les deux extrémités du sac de maïs à éclater vers le centre. Placer le sac au milieu du plateau. Il ne doit pas entrer en contact avec les parois du micro-ondes.

# FACILITÉ DU MICRO-ONDES

La cuisson assistée par le four représente une nouvelle façon de simplifier la cuisine par micro-ondes. Votre nouveau four à micro-ondes vous guidera, étape par étape, lorsque vous désirez réchauffer, cuire ou décongeler votre nourriture. Un voyant clignotant vous informera à chaque étape en vous indiquant la progression de la cuisson. De plus, un menu facile à utiliser, comprenant toutes les options de brevages et d'aliments populaires, vous fera mieux réussir votre cuisson puisqu'il a été préprogrammé et qu'il en connaît la durée de cuisson, de décongélation ou de réchauffage exacte.

Ces fonctions sont appelées:

**Cuisson Automatique**  
**FONDRE**  
**Adoucir**  
**Décongélation Automatique**  
**Express Décongélation**

## CUISSON AUTOMATIQUE

Cuisson Automatique simplifiée! Votre four à micro-ondes a été préprogrammé pour cuire automatiquement la nourriture. Dites au four ce que vous voulez et combien d'items il contient. Ensuite, le four cuira ce que vous aurez choisi.

**Par exemple:** Si vous désirez cuire 4 tranches de bacon, suivez simplement les instructions ci-dessous:

1. Appuyez sur la touche d'arrêt/annulation **STOP/CLEAR**.



2. Appuyez sur la touche **CUISSON AUTOMATIQUE**.

'Ac-1' apparaissent.

**AUTO  
COOK**

3. Appuyez sur le numéro **4**.

'4' apparaissent.

**4**

4. Appuyez sur la touche de départ **START**.

**START**  
ENTER

## TABLEAU DE CUISSON AUTOMATIQUE

Code	Catégorie	Directives	Quantité
Ac-1	Bacon	Pour de meilleurs résultats, disposez les tranches de bacon dans un treillis pour cuisson du bacon, (Employez une assiette bordée d'essuie-tout si vous n'avez pas de treillis).	2-6 tranches
Ac-2	Brioche/ Muffins congelés	Retirez de l'emballage et disposez dans une assiette. (Si les muffins pèsent plus de 3 oz, calculez deux muffins lorsque vous entrez la quantité).	1-6 unités (2-3 oz chaque)
Ac-3	Brioche/ Muffins frais	Retirez de l'emballage et disposez dans une assiette. (Si les muffins pèsent plus de 3 oz, calculez deux muffins lorsque vous entrez la quantité).	1-6 unités (2-3 oz chaque)
Ac-4	Brevages	Retirez de l'emballage et déposez sur le plateau du micro-ondes (soyez prudents! Le breuvage sera très chaud! Parfois, les liquides réchauffés dans des contenants cylindriques renversent lorsque l'on déplace le contenant).	1-2 tasses
Ac-5	Morceaux de poulet	Disposez les morceaux de poulet dans un contenant à l'épreuve des micro-ondes de grandeur appropriée et couvrez de pellicule plastique perforée.	1/2-2 lbs
Ac-6	Céréales chaudes	Préparez selon les directives de l'emballage. Brassez et allouez une pause avant de consommer. Employez seulement des céréales chaudes instantanées.	1-6 portions

# FONDRE

Le micro-ondes utilise la puissance moins élevée pour fondre les aliments (le beurre, le chocolat, la guimauve et le fromage). Référez le tableau suivant.

**Exemple : Pour Fondre 8 oz. Chocolat.**

1. Appuyez sur la touche **STOP/CLEAR**.



2. Appuyez sur la touche **MELT**.

**MELT**

3. Appuyez sur la touche numero **2**.

**2**

4. Appuyez sur la touche de départ **START**.



## LE TABLEAU DE FONDRE

Catégorie	Instruction	Quantité
<b>Beurre</b>	Ouvrez et placez du beurre dans un recipient adapté aux micro-ondes. Ne recouvrez pas le recipient. Mélangez avant de servir.	1,2 ou 3 bâtons
<b>Chocolat</b>	Vous pouvez réchauffer du chocolat de chips ou du chocolat carré. Ouvrez du chocolat et placez-le dans un ustensile approprié. Mélangez avant de servir.	4 ou 8 oz.
<b>Fromage</b>	Vous pouvez réchauffer du fromage fondu seulement. Coupez-le en morceau. Placez-le dans un ustensile adapté aux micro-ondes avec une couche. Mélangez avant de servir.	8 ou 16 oz.
<b>Guimauve</b>	Vous pouvez réchauffer de la guimauve aux morceaux grands ou petits. Placez-les dans un recipient approprié. Mélangez après de cuisson.	5 ou 10 oz.

# ADOUCIR

Le micro-ondes utilise la puissance moins élevée pour adoucir les aliments (le beurre, la glace, le fromage fondu et le jus gelé).  
Référez le tableau suivant

## Exemple : Pour Adoucir 8 oz. Fromage Fondu

1. Appuyez sur la touche **STOP/CLEAR**.



2. Appuyez sur la touche **SOFTEN**.

**SOFTEN**

3. Appuyez sur la touche numero **2**.

**2**

4. Appuyez sur la touche de départ **START**.



## LE TABLEAU D'ADOUCIR

Catégorie	Instruction	Quantité
<b>Beurre</b>	Ouvrez et placez du beurre dans un récipient adapté aux micro-ondes. Ne recouvrez pas le récipient. Le beurre sera à température ambiante et prêt à servir.	1,2 ou 3 bâtons
<b>Chocolat</b>	Placez le récipient dans le micro-ondes. La glace sera assez molle à pelleter à la main facilement.	Pinte, Quart, Demi gallon
<b>Fromage Fondu</b>	Ouvrez et placez du fromage fondu dans un ustensile adapté aux micro-ondes. Le fromage fondu sera à température ambiante et prêt à servir.	3 ou 8 oz.
<b>Jus Gelé</b>	Enlevez le couvercle. Placez dans micro-ondes. Le jus gelé sera assez mol à mélanger avec de l'eau facilement.	6,12 ou 16 oz.

# DÉCONGÉLATION AUTOMATIQUE

La décongélation automatique par le poids est une méthode de décongélation précise servant à décongeler les viandes, la volaille et les poissons pesant jusqu'à 6,0 lbs ou 4,0 kg.

Le four détermine automatiquement les durées de décongélation nécessaires pour chaque catégorie d'aliments, selon le poids que vous avez entré.

Entrez simplement le type de met congelé désiré et le poids. Le four fait le reste.

Pour plus de commodité, la fonction de décongélation par le poids contient un mécanisme intégré qui vous prévient de vérifier, retourner ou réorganiser les aliments, tel que recommandé à la **SECTION 5** du tableau de la décongélation express.

Il y a trois niveaux de décongélation différents:

- 1 VIANDE**
- 2 VOLAILLE**
- 3 POISSON**

**PAR EXEMPLE:** Si vous désirez décongeler 1.2 lbs de boeuf haché:

1. Appuyez sur la touche **STOP/CLEAR**.
2. Appuyez une fois sur la touche de décongélation par le poids **AUTO DEFROST**.
3. Entrez le poids en appuyant sur le [1] et le [2].
4. Appuyez sur la touche de départ **START**.



**AUTO  
DEFROST**

**1 2**



## REMARQUE:

Lorsque vous appuyez sur la touche **START**, l'affichage change au compte à rebours de la décongélation. Le four sonnera pendant le cycle de décongélation. À chaque bip, ouvrez la porte du four et retournez, séparez ou réorganisez la nourriture. Enlevez toute portion qui a dégelé. Retournez les portions congelées dans le four et appuyez sur **START** afin de terminer le cycle de décongélation.

- Pour de meilleurs résultats, enlevez les emballages originaux des poissons, fruits de mer, viandes et volailles sinon, l'emballage retiendra la vapeur et le bouillon sera trop près de la viande, ce qui cuira la surface extérieure des aliments.
- Pour décongeler la viande hachée plus efficacement, tournez-la en forme de beigne avant de la congeler. Lorsque vous décongelez, grattez la viande dégelée au premier son du bip, puis continuez la décongélation.
- Placez les aliments dans un contenant peu profond ou dans une grille à l'épreuve des micro-ondes afin de recueillir tous les jus qui s'écoulent.
- La nourriture devrait être encore très froide dans le centre lorsque vous l'enlevez du four.

# EXPRESS DÉCONGÉLATION

La fonction décongélation rapide vous permet de décongeler rapidement 1 livre d'aliments congelés.

**EXAMPLE:** Pour décongeler 1 livre d'aliment.

1. **STOP/CLEAR** une fois.
2. **EXPRESS DEFROST** une fois.
3. Décompte de la période de cuisson automatiquement.



**EXPRESS  
DEFROST**

## Ez ON

Cette touche vous permet d'économiser du temps en réglant et en mettant en marche rapidement votre four à micro-ondes, sans avoir à appuyer sur la touche **START**.

**REMARQUE:** Si vous appuyez sur EZ ON, vous ajouterez 30 secondes-jusqu'à 3 minutes-de cuisson. Après 3 minutes, chaque pression de la touche ajoutera 1 minute-jusqu'à 99 min-utes, 59 secondes.

**PAR EXEMPLE:** Si vous désirez régler la touche rapide pour deux délai supplémentaire d'une minute:

1. Appuyez sur la touche **STOP/CLEAR**.
2. Appuyez deux fois sur la touche **EZ-ON**.
3. Le four débutera sa cuisson pendant deux minute et le compte à rebours sera affiché à l'écran.



EZ-ON

## MINUTERIE DE CUISINE

Vous pouvez utiliser la minuterie de votre four à d'autres fins que la cuisson de vos aliments.

**Par exemple:**

Si vous désirez compter 3 minutes pour la durée de cuisson d'un oeuf, d'un appel téléphonique, etc.

1. Appuyez sur la touche **STOP/CLEAR**.
2. Appuyez sur la touche de la minuterie **KITCHEN TIMER**.
3. Choisissez les chiffres correspondant à la durée.  
**Par exemple:** 3 minutes.  
Appuyez sur les chiffres [3], [0] et [0].  
Les mots suivants défileront à l'affichage: **TOUCH START**
4. Appuyez sur **START**.



KITCHEN  
TIMER

3 0 0



## DFONCTION PLUS/MOINS(MORE/LESS)

En utilisant les touches PLUS ou MOINS, la cuisson automatique et la cuisson par minuterie peuvent être ajustés pour que la durée de cuisson soit prolongée ou réduite. Si vous appuyez sur MORE, vous augmenterez la durée de 10 secondes à chaque pression de la touche. Si vous appuyez sur LESS, 10 secondes seront enlevées à chaque pression de la touche.

**REMARQUE:** Appuyez sur la touche PLUS(MORE) ou MOINS(LESS) pendant le décompte du four.

1. Appuyez sur la touche **STOP/CLEAR**.
2. Appuyez sur 1, 0, 0.
3. Appuyez sur **START**.
4. Appuyez sur **MORE** or **LESS**.



1 0 0



LESS MORE

# CUISSON MINUTÉE

Cette méthode de cuisson de base vous permet de cuire les aliments pendant le temps que vous déterminez.

Réglez la durée et appuyez sur START. Votre four débute la cuisson au niveau de puissance élevé(HI).

Les aliments contenant beaucoup d'humidité devraient être cuits au niveau de puissance maximum, étant donné que c'est la cuisson la plus rapide et celle, qui conserve le plus la saveur naturelle et la texture des aliments.

**PAR EXEMPLE:** Si vous désirez cuire de la nourriture à la puissance maximum (HI), pendant 3 minutes, 30 secondes.

1. Appuyez sur la touche **STOP/CLEAR**.



2. Appuyez sur **COOK TIME**.

**COOK  
TIME**

3. Entrez 3 minutes, 30 secondes en appuyant sur **[3], [3], et [0]**.

**3 3 0**

4. Appuyez sur **START**.



# ÉCONOMIE D'ÉNERGIE

L'option ÉCONOMIE D'ÉNERGIE permet d'économiser l'énergie en désactivant l'afficheur.

Cette fonction n'est disponible que lorsque vous appuyez sur la touche ARRÊT/EFFACER (ÉCONOMIE D'ÉNERGIE). Pour l'annuler, il suffit d'ouvrir la porte ou d'appuyer sur n'importe quelle touche.

1. Appuyez sur la touche **ARRÊT/EFFACER (ÉCONOMIE D'ÉNERGIE)**. L'afficheur sera désactivé et la fonction ÉCONOMIE D'ÉNERGIE sera active.



Appuyez sur la touche ARRÊT/EFFACER (ÉCONOMIE D'ÉNERGIE) ou n'importe quelle autre touche pour annuler cette fonction lorsqu'elle est active.

# UTILISATION DES NIVEAUX MULTI PUISSANCE

Pour les aliments nécessitant une cuisson plus lente, votre four vous offre aussi 10 niveaux de puissance.

La caractéristique des niveaux de puissance multiples vous laisse choisir un niveau plus faible par opposition au niveau maximu (HI) sélectionné automatiquement par l'appareil. Ceci permet de cuire les aliments plus lentement.

Référez-vous au guide des réglages de cuisson à niveaux multiples qui vous indiquera le meilleur niveau de cuisson, selon le type de nourriture.

**PAR EXEMPLE:** Si vous désirez cuire à 80% de la puissance (niveau de puissance 8) pendant 5 minutes et 30 secondes.

1. Appuyez sur la touche **STOP/CLEAR**.
2. Appuyez sur **COOK TIME**.
3. Entrez 3 minutes, 30 secondes en appuyant sur **[5]**, **[3]**, et **[0]**.
4. Appuyez sur **POWER**.
5. Appuyez sur **8**.
6. Appuyez sur **START**.



**COOK  
TIME**

**5 3 0**

**POWER**

**8**



## GUIDE DE CUISSON À MULTI - NIVEAUX D'INTENSITÉ

TOUCHE NUMÉRIQUE	NIVEAU DE PUISSANCE	EXEMPLES DE CUISSON
0	0	La durée d'attente Indépendante
1	10%	Amollir le fromage à la crème. Garder les plats cuisinés et les plats principaux au chaud.
2	20%	Amollir le chocolat. Réchauffer des petits pains, crêpes, tacos, tortillas et du pain français. Clarifier le beurre. Rendre les fruits moins froids. Réchauffer de petites quantités de nourriture.
3	30%	Décongeler le pain et de petites quantités de la plupart des aliments. Compléter le cycle de cuisson des plats cuisinés, ragoûts et sauces. Cuire de petites quantités de la plupart des aliments.
4	40%	Cuire les parties de viande moins tendres dans du jus ou les plats qui doivent mijoter lentement. Compléter le cycle de cuisson des rôtis moins tendres.
5	50%	Cuire les ragoûts et les soupes après les avoir amenés à ébullition. Cuire les crèmes anglaises et les pâtes.
6	60%	Cuire les oeufs brouillés et les gâteaux.
7	70%	Cuire les rôtis de croupe, le jambon, le veau et l'agneau. Cuire les mets fromagés. Cuire les oeufs et le lait.
8	80%	Réchauffer rapidement les mets précuits ou préparés.
9	90%	Cuire rapidement les oignons, céleris et piments verts. Réchauffer rapidement les tranches de viande.
10(HIGH) Automatic	100%	Cuire la volaille, le poisson, les légumes et la plupart des plats cuisinés. Préchauffage du plat brunisseur. Faire bouillir l'eau.

# CONSEILS POUR LA CUISSON

## ⚠ AVERTISSEMENT : Ne pas utiliser de la feuille d'aluminium pendant la cuisson

### CONSEILS POUR LA CUISSON

#### Viande

1. Aucune technique spéciale n'est nécessaire. Il convient de préparer la viande comme pour une cuisson conventionnelle. Assaisonner selon le goût. Décongeler toujours parfaitement la viande avant de la cuire.
2. Placer la viande sur une grille pour rôtissage au micro-ondes ou sur un plat résistant aux micro-ondes; placer l'ensemble sur le plateau rotatif.
3. Programmer la cuisson selon le tableau de cuisson de la viande (ci-dessous). Sélectionner un temps de cuisson plus long pour une pièce de viande de grande taille, et un temps plus court pour une pièce de viande plus petite. Pour les côtelettes épaisses, sélectionner un temps de cuisson plus long.
4. Retourner les pièces de viande une fois au milieu de la période de cuisson.
5. Prévoir une période d'attente de 5-10 minutes après la cuisson (mais recouvrir d'une feuille d'aluminium). Il est très important d'inclure cette période d'attente, qui permet à la cuisson de se terminer.
6. Avant de consommer, vérifier que la viande (particulièrement le porc) est bien cuite.

Tableau de cuisson de la viande

Viande	Puissance de chauffage	Temps de cuisson par livre
<b>BOEUF</b> Côtes/côtes roulées		
– Moyen	8	9 1/2 à 11 1/2 minutes
– Bien cuit	8	11 1/2 à 14 minutes
Bœuf haché (brunissage pour mets en sauce)	HIGH (100 %)	6 1/2 à 9 1/2 minutes
Hamburgers, (frais ou décongelés) (4 oz par hamburger)		
– 2 hamburgers	HIGH (100 %)	2 1/2 à 4 1/2 minutes
– 4 hamburgers	HIGH (100 %)	3 1/2 à 5 1/2 minutes
<b>PORC</b> Filets, tranche de cuisse	8	12 1/2 à 16 1/2 minutes
Bacon		
– 4 tranches	HIGH (100 %)	2 1/2 à 3 1/2 minutes
– 6 tranches	HIGH (100 %)	3 1/2 à 4 1/2 minutes

**NOTE :** Les temps de cuisson indiqués ci-dessus ne constituent qu'un guide. Tenir compte des préférences et goûts individuels. Le temps de cuisson nécessaire peut varier selon la forme, la coupe et la composition de la pièce de viande ou de l'aliment.

# CONSEILS POUR LA CUISSON

## CONSEILS POUR LA CUISSON (suite)

### Volaille

1. Aucune technique spéciale n'est nécessaire. Préparer la volaille comme pour une cuisson conventionnelle. Assaisonner au goût.
2. Veiller à décongeler complètement la volaille. Enlever les abats et tout article métallique.
3. Percer la peau et badigeonner légèrement avec de l'huile végétale, sauf s'il s'agit d'une volaille pré-beurrée.
4. On devrait toujours placer une volaille sur une grille pour rôtissage aux micro-ondes ou dans un plat résistant aux micro-ondes, sur le plateau rotatif.
5. Exécuter la cuisson conformément aux instructions du tableau de cuisson des volailles ci-dessous. Retourner la volaille au milieu de la période de cuisson. Du fait de la forme de la volaille, la cuisson a tendance à ne pas être uniforme, particulièrement dans les parties très osseuses. On doit donc retourner la volaille au cours du rôtissage pour faciliter la cuisson uniforme de ces zones.
6. Prévoir une période d'attente de 5 à 10 minutes après la cuisson (plat recouvert d'une feuille d'aluminium) avant de découper la volaille. Cette période d'attente est importante; elle permet la finition de la cuisson.
7. Avant de consommer, vérifier que la volaille est parfaitement cuite. Une volaille entière est complètement cuite lorsque le jus qui s'écoule est limpide lorsqu'on insère un couteau acéré dans la face interne du pilon. On doit donc insérer ainsi la pointe d'un couteau acéré dans les morceaux de volaille, dans la partie la plus épaisse de la viande, pour vérifier que la chair est ferme et que le jus qui s'écoule est limpide.

### Tableau de cuisson de la volaille

Volaille	Puissance de chauffage	Temps de cuisson par livre
<b>POULET</b>		
Entier	8	11 à 15 minutes
Poitrine (avec os)	8	10 à 14 minutes
Portions	8	11 à 17 minutes
<b>DINDE</b>		
Entière	8	11 à 15 minutes

### NOTES :

- Les temps de cuisson indiqués ci-dessus ne constituent qu'un guide. Tenir compte des préférences et goûts individuels. Le temps de cuisson nécessaire peut varier selon la forme, la coupe et la composition de la pièce de viande ou de l'aliment.
- Pour une volaille farcie, choisir le temps de cuisson en fonction du poids de la volaille avec la farce.

# UCONSEILS POUR LA CUISSON

## CONSEILS POUR LA CUISSON (suite)

### Poisson

1. Placer le poisson dans un grand plat non métallique et peu profond, ou un plat pour mets en sauce.
2. Mettre le couvercle de l'ustensile ou recouvrir avec une feuille de plastique résistante aux micro-ondes, perforée.
3. Placer le plat sur le plateau rotatif.
4. Exécuter la cuisson conformément aux instructions du tableau de cuisson du poisson frais, ci-dessous. Le cas échéant on peut ajouter des raclures de beurre.
5. Prévoir une période d'attente avant de servir, selon les indications du tableau de cuisson.
6. Après la période d'attente, vérifier que le poisson est parfaitement cuit. La chair doit être opaque et se détacher facilement.

### Tableau de cuisson du poisson frais

Poisson	Puissance de chauffage	Temps de cuisson par livre	Beurre	Période d'attente
Filets de poisson	HIGH	4 <sup>1/2</sup> à 8 minutes	Ajouter 15 à 30 mL (1 à 2 c. à soupe)	2 à 3 minutes
Maquereau entier, nettoyé et préparé	HIGH	4 <sup>1/2</sup> à 8 minutes	–	3 à 4 minutes
Truite entière, nettoyé et préparé	HIGH	5 <sup>1/2</sup> à 9 minutes	–	3 à 4 minutes
Darnes de saumon	HIGH	5 <sup>1/2</sup> à 8 minutes	Ajouter 15 à 30 mL (1 à 2 c. à soupe)	3 à 4 minutes

# GUIDE DE CHAUFFAGE/RÉCHAUFFAGE

Lorsqu'on souhaite chauffer ou réchauffer quelque chose au four à micro-ondes, il est important de tenir compte de plusieurs règles. Mesurer la quantité d'aliments pour déterminer le temps de réchauffage nécessaire. Répartir les aliments en cercle pour obtenir les meilleurs résultats. Le chauffage d'aliments qui sont à la température ambiante est plus rapide que lorsqu'ils sortent du réfrigérateur. Dans le cas de conserves, retirer les aliments de la boîte pour les placer dans un récipient pour four à micro-ondes. Le chauffage des aliments sera plus uniforme si on les recouvre avec un couvercle (pour four à micro-ondes), ou d'une feuille de plastique avec évent. Après la période de chauffage, retirer prudemment le couvercle pour éviter des brûlures par la vapeur. Pour le réchauffage d'un mets cuit, tenir compte des instructions du tableau suivant.

Mets/aliments	Temps de cuisson (puissance MAXIMALE/HIGH)	Instructions spéciales
Viande en tranches 3 tranches (épaisseur ¼ po)	1 à 2 min	Placer les tranches de viande sur une assiette résistante aux micro-ondes. Recouvrir d'une feuille de plastique avec évent. *Note : La présence d'une sauce permet à la viande de rester juteuse.
Morceaux de poulet 1 poitrine 1 pilon + cuisse	2 à 3½ min 1½ à 3 min	Placer les morceaux de poulet sur une assiette résistante aux micro-ondes. Recouvrir d'une feuille de plastique avec évent.
Filets de poisson (6 à 8 oz.)	2 à 4 min	Placer le poisson sur une assiette résistante aux micro-ondes. Recouvrir d'une feuille de plastique avec évent.
Lasagne 1 portion (10½ oz)	4 à 6 min	Placer la lasagne sur une assiette résistante aux micro-ondes. Recouvrir d'une feuille de plastique avec évent.
Mets en sauce 1 tasse 4 tasses	1 à 3½ min 5 à 8 min	CUIRE le mets dans une marmite couverte pour four à micro-ondes, pour mets en sauce. Remuer une fois au milieu de la période de cuisson.
Mets en sauce – crème ou fromage 1 tasse 4 tasses	1½ à 3 min 3½ à 5½ min	CUIRE le mets dans une marmite couverte pour four à micro-ondes, pour mets en sauce. Remuer une fois au milieu de la période de cuisson.
Sloppy Joe ou Bœuf barbecue 1 sandwich (½ tasse garniture à la viande) sans pain à hamburger	1 à 2½ min	Réchauffer séparément la garniture et le pain. CUIRE la garniture dans une marmite couverte pour four à micro-ondes, pour mets en sauce. Remuer une fois.  Réchauffer le pain, selon les indications présentées plus bas dans ce tableau.

Suite à la page suivante

# GUIDE DE CHAUFFAGE/RÉCHAUFFAGE (suite)

Mets/aliments	Temps de cuisson (puissance MAXIMALE/HIGH)	Instructions spéciales
Purée de pommes de terre 1 tasse 4 tasses	1 à 3 min 5 à 8 min	CUIRE le mets dans une marmite couverte pour four à micro-ondes, pour mets en sauce. Remuer une fois au milieu de la période de cuisson.
Haricots au four 1 tasse	1½ à 3 min	CUIRE le mets dans une marmite couverte pour four à micro-ondes, pour mets en sauce. Remuer une fois au milieu de la période de cuisson.
Ravioli ou pâtes avec sauce 1 tasse 4 tasses	2½ à 4 min 7½ à 11 min	CUIRE le mets dans une marmite couverte pour four à micro-ondes, pour mets en sauce. Remuer une fois au milieu de la période de cuisson.
Riz 1 tasse 4 tasses	1½ à 3½ min 4 à 6½ min	CUIRE le mets dans une marmite couverte pour four à micro-ondes, pour mets en sauce. Remuer une fois au milieu de la période de cuisson.
Sandwich (petit pain long ou rond) 1 petit pain	15 à 30 s	Placer le sandwich enveloppé d'une serviette de papier sur une grille de verre pour four à micro-ondes.
Légumes 1 tasse 4 tasses	1½ à 2½ min 4 à 6 min	CUIRE le mets dans une marmite couverte pour four à micro-ondes, pour mets en sauce. Remuer une fois au milieu de la période de cuisson.
Soupe 1 portion (8 oz)	1½ à 2½ min	CUIRE le mets dans une marmite couverte pour four à micro-ondes, pour mets en sauce. Remuer une fois au milieu de la période de cuisson.

# TABLEAU DE CUISSON DES LÉGUMES FRAIS

Légumes	Quantité	Temps de cuisson Puissance MAX.	Instructions	Périod d'attente
Artichauts (8 oz chacun)	2-moyen 4-moyen	5 à 8 10 à 13	Préparer. Ajouter 2 c. d'eau et 2 c. à café de jus. Couvrir.	2 à 3 minutes
Asperges, fraîches, pointes	1 lb	3 à 6	Ajouter ½ tasse d'eau. Couvrir.	2 à 3 minutes
Haricots verts et jaunes	1 lb	7 à 11	Ajouter ½ tasse d'eau dans un récipient de 1½ L. Remuer au milieu de la période de cuisson.	2 à 3 minutes
Betteraves, fraîches	1 lb.	12 à 16	Ajouter ½ tasse d'eau dans un récipient de 1½ L. Réarranger au milieu de la période de cuisson.	2 à 3 minutes
Brocoli, frais, (inflorescences)	1 lb	4 à 8	Placer le brocoli dans un plat à pâtisserie. Ajouter ½ tasse d'eau	2 à 3 minutes
Chou, frais, haché	1 lb	4 à 7	Ajouter ½ tasse d'eau dans un récipient couvert de 1½ L. Remuer au milieu de la période de cuisson.	2 à 3 minutes
Carottes fraîches, en tranches	2 tasses	2 à 4	Ajouter ¼ tasse d'eau dans un récipient couvert de 1 L. Remuer au milieu de la cuisson.	2 à 3 minutes
Chou-fleur, frais, entier	1 lb	7 à 11	Tailler. Ajouter ¼ tasse d'eau dans un récipient couvert de 1 L. Remuer au milieu de la cuisson.	2 à 3 minutes
Flowerettes, fraîches Céleri frais, en tranches	2 tasses 4 tasses	2½ à 4½ 6 à 8	Couper en tranches. Ajouter ½ tasse d'eau dans un récipient couvert de 1½ L. Remuer au milieu de la cuisson.	2 à 3 minutes
Maïs frais	2 épis	5 à 9	Éplucher les épis. Ajouter 2 c. à soupe d'eau dans un plat à pâtisserie de 1½ L. Couvrir.	2 à 3 minutes
Champignons, frais, en tranches	½ lb	2 à 3½	Placer les champignons dans un récipient couvert de 1½ L. Remuer au milieu de la cuisson.	2 à 3 minutes
Navets frais, en tranches	1 lb	4 à 8	Ajouter ½ tasse d'eau dans un récipient couvert de 1½ L. Remuer au milieu de la cuisson.	2 à 3 minutes
Petits pois, frais	4 tasses	7 à 10	Ajouter ½ d'eau dans un récipient couvert de 1½ L. Remuer au milieu de la cuisson.	2 à 3 minutes

Suite à la page suivante

## TABLEAU DE CUISSON DES LÉGUMES FRAIS (suite)

Légumes	Quantité	Temps de cuisson Puissance MAX.	Instructions	Période d'attente
Patates douces entières (6 à 8 oz ch.)	2-moyennes 4-moyennes	5 à 10 7 à 13	Piquer plusieurs fois les patates douces avec une fourchette avant de les placer sur 2 serviettes de papier. Retourner au milieu de la période de cuisson.	2 à 3 minutes 2 à 3 minutes
Pommes de terre, entières (6 à 8 oz ch.)	2 p.-d-t. 4 p.-d-t.	5 à 8 10 à 14	Piquer plusieurs fois les pommes de terre avec une fourchette avant de les placer sur 2 serviettes de papier. Retourner au milieu de la période de cuisson.	2 à 3 minutes 2 à 3 minutes
Épinards frais, (feuilles)	1 lb	4 à 7	Ajouter $\frac{1}{2}$ tasse d'eau dans un récipient couvert de 2 L.	2 à 3 minutes
Courge fraîche (courgeon, ou butternut)	1-moyen	6 à 8	Couper les courges en deux. Enlever les graines. Placer les moitiés dans un ustensile à pâtisserie de 8 x 8 po. Recouvrir.	2 à 3 minutes
Courgette fraîche, en tranches	1 lb	4 $\frac{1}{2}$ à 7 $\frac{1}{2}$	Ajouter $\frac{1}{2}$ tasse d'eau dans un récipient couvert de 1 $\frac{1}{2}$ L. Remuer au milieu de la cuisson.	2 à 3 minutes
Courgettes fraîches, entières	1 lb	6 à 9	Percer les courgettes avant de les placer sur 2 serviettes de papier. Retourner et réarranger les courgettes au milieu de la période de cuisson.	2 à 3 minutes

# DIAGNOSTIC

## Questions et réponses

### Fonctionnement du four

Question	Réponse
Pourquoi la lampe du four n'est-elle pas allumée pendant la cuisson?	Si la lampe du four ne s'allume pas, il peut y avoir plusieurs raisons. Avez-vous : <ul style="list-style-type: none"><li>• Sélectionné un temps de cuisson?</li><li>• Appuyé sur la touche START/MISE EN MARCHE?</li><li>• Vérifié que la lampe est en bon état?</li></ul>
Pourquoi voit-on de la vapeur sortir par l'évent d'aération?	De la vapeur est normalement émise pendant la cuisson. La conception du four à micro-ondes permet l'évacuation de cette vapeur.
Le fonctionnement à vide peut-il provoquer une détérioration du four?	Oui. Ne jamais faire fonctionner le four lorsqu'il est vide ou sans le plateau rotatif de verre.
Les micro-ondes peuvent-elles traverser la grille de la porte?	Non. La grille métallique réfléchit les micro-ondes vers l'intérieur de la cavité. Les orifices ne laissent passer que la lumière; ils ne laissent pas passer les micro-ondes
Pourquoi l'appareil émet-il un signal sonore lorsqu'on appuie sur une touche du tableau de commande?	Le signal sonore confirme l'entrée des paramètres de programmation.
Une cuisson de trop longue durée peut-elle faire subir des dommages au four à micro-ondes?	Comme avec tout autre appareil de cuisson, il est possible de trop cuire un aliment, jusqu'au point où il émet de la fumée et peut même s'enflammer. Ceci peut alors faire subir des dommages à l'intérieur du four. Il est toujours préférable de rester au voisinage du four pendant la cuisson.
Lors du branchement initial du four, il ne fonctionne pas correctement. Quel est le problème?	Lors du branchement initial du four, ou lors du rétablissement de l'alimentation électrique après une interruption, le micro-ordinateur qui commande le fonctionnement du four peut réagir d'une manière anormale (temporairement) et ne pas fonctionner conformément à la programmation. Pour réinitialiser le micro-ordinateur, débrancher le four de la prise de courant 120 V, puis le rebrancher.
Pourquoi peut-on voir une réflexion de lumière autour du châssis externe?	Cette lumière provient de la lampe du four, située entre la cavité du four et la paroi externe du four.
Que signifient les divers signaux sonores que j'entend pendant le fonctionnement du four à micro-ondes?	Les sons de déclic proviennent d'un commutateur mécanique qui commande l'alimentation intermittente du magnétron du four. Le bourdonnement avec déclic provient du magnétron, lorsqu'il est alimenté par intermittence par l'intermédiaire d'un commutateur mécanique. Les variations de la vitesse du ventilateur sont dues à des variations momentanées de la tension d'alimentation, au début et à la fin des périodes d'alimentation du magnétron.

# DIAGNOSTIC

## Questions et réponses (suite)

### Aliments

Question	Réponse
Quel est le problème lorsqu'on trouve des taches foncées ou des zones sèches et dures sur des aliments cuits dans le four?	Une zone tachée, sèche ou dure indique une cuisson excessive. Réduire le temps de cuisson ou de réchauffage.
Pourquoi les œufs éclatent-ils parfois?	Lors de la cuisson d'œufs (œufs pochés, œufs frits ou cuisson au four) le jaune peut éclater du fait de l'accumulation de vapeur à l'intérieur de la membrane. Pour éviter ceci, il suffit de percer le jaune avec un cure-dents de bois, avant la cuisson. <b>MISE EN GARDE</b> : Ne jamais cuire des œufs dans leur coquille avec le four à micro-ondes.
Pourquoi les œufs brouillés sont-ils un peu secs après la cuisson?	Une cuisson excessive assèche les œufs, même si on emploie la même recette à chaque fois. Il peut être nécessaire de modifier le temps de cuisson pour diverses raisons : <ul style="list-style-type: none"> <li>• Selon la taille des œufs.</li> <li>• Œufs à la température ambiante, ou sortant du réfrigérateur.</li> <li>• La cuisson des œufs se poursuit pendant la période d'attente.</li> </ul>
Est-il possible de faire éclater du maïs dans un four à micro-ondes?	Oui, lorsqu'on emploie l'une des deux méthodes décrites ci-dessous : <ol style="list-style-type: none"> <li>(1) avec un dispositif conçu spécialement pour l'éclatement des grains de maïs dans un four à micro-ondes</li> <li>(2) utilisation de grains de maïs à pop-corn, préparés spécialement pour l'éclatement au four à micro-ondes (conformément aux recommandations de puissance de chauffage et temps de cuisson).</li> </ol> <p><b>Appliquer scrupuleusement les instructions fournies par le fabricant du produit, et ne pas laisser le four sans surveillance pendant l'opération d'éclatement. Ne pas poursuivre l'opération au-delà du temps suggéré, même si tous les grains de maïs n'ont pas éclaté. Une cuisson excessive peut provoquer l'inflammation du produit dans le four.</b></p> <p><b>MISE EN GARDE</b> :</p> <ul style="list-style-type: none"> <li>• Ne jamais faire éclater des grains de maïs dans un sachet de papier kraft, et ne pas poursuivre le chauffage des grains qui n'ont pas éclaté.</li> <li>• Ne pas placer les grains de maïs à éclater (produit commercial préparé) directement sur le plateau rotatif de verre. Pour éviter un échauffement excessif du plateau rotatif de verre, placer le sachet de maïs à éclater sur une assiette.</li> <li>• Écouter les bruits d'éclatement des grains de maïs. Mettre fin à l'opération lorsque les sons d'éclatement ne sont plus émis qu'à intervalles de 2 à 3 secondes.</li> <li>• Ne pas laisser le four à micro-ondes sans surveillance pendant l'opération d'éclatement du maïs.</li> <li>• Respecter les instructions fournies sur le sachet du produit.</li> </ul>

# DIAGNOSTIC

## Questions et réponses (suite)

### Aliments (suite)

Question	Réponse
Pourquoi les pommes éclatent-elles parfois lorsqu'on les cuit aux micro-ondes?	La matière interne de la pomme se dilate au cours de la cuisson; il aurait fallu enlever la peau de la partie supérieure de chaque pomme. Comme dans le cas des méthodes de cuisson conventionnelles, la matière interne de la pomme se dilate au cours de la cuisson.
Pourquoi des pommes de terre cuites au four à micro-ondes ont-elles parfois des brûlures?	Si le temps de cuisson est trop long, les pommes de terre peuvent s'enflammer. À la fin de la période de cuisson recommandée, les pommes de terre devraient être encore légèrement fermes. <b>MISE EN GARDE : Éviter une cuisson excessive.</b>
Quelle est la période d'attente recommandée après une période de cuisson au four à micro-ondes?	La période d'attente consécutive à la cuisson permet à la chaleur de se répartir plus uniformément et à la cuisson de se terminer. La durée de la période d'attente nécessaire dépend de la densité des aliments.
Pourquoi faut-il un temps de cuisson plus long pour des aliments sortants du réfrigérateur?	Comme avec une méthode de cuisson conventionnelle, la température des aliments avant la cuisson affecte la durée totale de l'opération de cuisson. Il faut plus de temps pour cuire un aliment qui sort du réfrigérateur que lorsqu'il est à la température ambiante.

# DIAGNOSTIC

## Avant de contacter un dépanneur

L'utilisateur peut souvent trouver lui-même la solution d'un problème de fonctionnement. Advenant que la four à micro-ondes ne fonctionne pas correctement, trouver la description du problème observé dans la liste ci-dessous, et essayer la solution proposée.

Si le four à micro-ondes ne peut toujours pas fonctionner correctement, contacter le plus proche établissement de service agréé GoldStar. Le personnel des établissements de service agréés est en mesure d'effectuer le diagnostic et les réparations nécessaires.

Problème	Causes possibles
Le four ne se met pas en marche	<ul style="list-style-type: none"><li>• Cordon d'alimentation branché?</li><li>• Porte fermée?</li><li>• Temps de cuisson sélectionné?</li></ul>
Émission d'arcs ou étincelles	<ul style="list-style-type: none"><li>• Utilisez-vous un ustensile approuvé pour les micro-ondes?</li><li>• Four vide?</li></ul>
Heure affichée incorrecte	<ul style="list-style-type: none"><li>• Avez-vous essayé de régler l'horloge?</li></ul>
Cuisson non uniforme des aliments	<ul style="list-style-type: none"><li>• Utilisation d'un ustensile approuvé?</li><li>• Plateau rotatif de verre présent dans le four?</li><li>• Avez-vous remué/retourné le mets au cours de la cuisson?</li><li>• Les aliments étaient-ils complètement décongelés?</li><li>• Programmation correcte de l'appareil pour temps de cuisson/ puissance de chauffage?</li></ul>
Cuisson excessive des aliments	<ul style="list-style-type: none"><li>• Programmation correcte de l'appareil pour temps de cuisson/ puissance de chauffage?</li></ul>
Cuisson insuffisante des aliments	<ul style="list-style-type: none"><li>• Utilisation d'un ustensile approuvé?</li><li>• Les aliments étaient-ils complètement décongelés?</li><li>• Programmation correcte de l'appareil pour temps de cuisson/ puissance de chauffage?</li><li>• Événements d'aération obstrués?</li></ul>
Décongélation incorrecte	<ul style="list-style-type: none"><li>• Utilisation d'un ustensile approuvé?</li><li>• Programmation correcte de l'appareil pour temps de cuisson/ puissance de chauffage?</li><li>• Avez-vous remué/retourné le mets au cours de l'opération de décongélation?</li></ul>

**⚠ AVERTISSEMENT:** Ce produit contient des produits chimiques reconnus par l'Etat de la Californie pour provoquer des cancers et des malformations congénitales ou d'autres problèmes de reproduction.

***Lavez-vous les mains après l'avoir manipulé.***

**LG ELECTRONICS CANADA, INC.**  
**GARANTIE LIMITÉE - Canada**

**GARANTIE :** Si votre produit LG (le « produit ») s'avère défectueux en raison d'un défaut de matériau ou de fabrication lors d'une utilisation normale, pendant la période de garantie spécifiée ci-après, LG Canada réparera ou remplacera à sa discrétion le produit sur réception de la preuve d'achat originale fournie par le détaillant. Cette garantie n'est offerte qu'à l'acheteur original du produit chez un détaillant et ne s'applique qu'à un produit distribué au Canada par LG Canada ou par un distributeur canadien autorisé. La garantie ne s'applique qu'aux produits situés et utilisés au Canada.

<b>PÉRIODE DE GARANTIE : (Remarque : Si la date d'achat originale ne peut être vérifiée, la garantie débutera soixante (60) jours suivant la date de fabrication.)</b>	
<b>Four-hotte / micro-ondes à convection / micro-ondes encastré / tout four à micro-ondes</b>	<b>Garantie prolongée sur les pièces seulement</b>
<b>Un (1) an à compter de la date d'achat initiale</b>	<b>Cinq (5) ans à compter de la date d'achat initiale</b>
Pièces et main-d'œuvre (service à domicile; four-hotte et micro-ondes à convection) (pièces internes fonctionnelles seulement)	Magnétron seulement

- ⊗ Les produits et pièces de remplacement sont garantis pour la portion restante de la période de garantie originale ou quatre-vingt-dix (90) jours, selon la période la plus longue.
- ⊗ Les produits et pièces de remplacement peuvent être neufs ou remanufacturés.
- ⊗ Le centre de service autorisé LG garantit les réparations pendant trente (30) jours.

**LA RESPONSABILITÉ DE LG CANADA SE LIMITE À LA GARANTIE CI-DESSUS. SAUF TEL QU'IL EST EXPLICITEMENT INDIQUÉ CI-DESSUS, LG CANADA NE FOURNIT AUCUNE AUTRE GARANTIE ET REJETTE TOUTES LES AUTRES GARANTIES ET CONDITIONS EXPLICITES OU IMPLICITES À L'ÉGARD DU PRODUIT, CE QUI INCLUT, SANS TOUTEFOIS S'Y LIMITER, TOUTE GARANTIE ET CONDITION IMPLICITE DE QUALITÉ MARCHANDE OU DE CONVENANCE À UN USAGE PARTICULIER ET AUCUNE DÉCLARATION NE LIERA LG CANADA. LG CANADA N'AUTORISE PERSONNE À CRÉER NI À ASSUMER AUCUNE AUTRE PROVISION POUR GARANTIES EN RELATION AVEC CE PRODUIT. SI UNE GARANTIE OU CONDITION IMPLICITE EST REQUISE PAR LA LOI, SA PÉRIODE SE LIMITE À CELLE DE LA GARANTIE EXPLICITE SUSMENTIONNÉE.**

**LG CANADA, LE FABRICANT ET LE DISTRIBUTEUR NE POURRONT ÊTRE TENUS RESPONSABLES D'AUCUN DOMMAGE ACCESSOIRE, CONSÉCUTIF, SPÉCIAL, DIRECT OU INDIRECT, D'AUCUNE PERTE D'ACHALANDAGE OU DE PROFITS, D'AUCUN DOMMAGE PUNITIF, EXEMPLAIRE OU AUTRE, DIRECTEMENT OU INDIRECTEMENT ATTRIBUABLE À TOUTE VIOLATION CONTRACTUELLE, FONDAMENTALE OU AUTRE, OU À UNE ACTION, UNE OMISSION, UN DÉLIT OU TOUTE AUTRE CHOSE.**

La présente garantie vous confère des droits légaux spécifiques. Vous pourriez disposer d'autres droits, suivant les lois provinciales applicables. Toute clause de la présente garantie qui invalide ou modifie une condition ou garantie implicite aux termes d'une loi provinciale est dissociable si elle entre en conflit avec la loi provinciale, et ce, sans affecter les autres clauses de la garantie.

**LA PRÉSENTE GARANTIE LIMITÉE NE COUVRE PAS CE QUI SUIT :**

1. Un appel de service pour livrer, ramasser ou installer le produit; renseigner un client sur le fonctionnement du produit; réparer ou remplacer des fusibles ou rectifier le câblage; ou corriger une réparation ou installation non autorisée.
2. La défaillance du produit durant une panne ou interruption de courant ou en raison d'un service électrique inadéquat.
3. Des dommages occasionnés par la fuite ou le bris de conduites d'eau, le gel de conduites d'eau, des tuyaux de drainage restreints, une alimentation en eau inadéquate ou interrompue ou une alimentation en air inadéquate.
4. Des dommages attribuables à l'utilisation du produit dans une atmosphère corrosive ou contraire aux instructions spécifiées dans le manuel d'utilisation du produit.
5. Des dommages au produit causés par un accident, des animaux nuisibles ou des vermines, la foudre, le vent, un incendie, une inondation ou une catastrophe naturelle.
6. Les dommages attribuables à une mauvaise utilisation, une utilisation abusive ou à une installation, une réparation ou un entretien inapproprié du produit. Les réparations inappropriées incluent l'utilisation de pièces ni approuvées ni recommandées par LG Canada.
7. La détérioration ou la défaillance du produit causée par une modification ou un changement non autorisé ou une utilisation autre que celle prévue, ou résultant d'une fuite d'eau occasionnée par une mauvaise installation.
8. La détérioration ou la défaillance du produit causée par un courant ou un voltage électrique incorrect, une utilisation commerciale ou industrielle, ou l'utilisation d'accessoires, d'éléments ou de produits nettoyants non approuvés par LG Canada.
9. Les dommages causés par le transport et la manipulation, notamment les égratignures, les bosses, les écaillures et/ou tout autre dommage à la finition du produit, à moins que ces dommages ne soient attribuables à des défauts de matériaux ou de fabrication et qu'ils ne soient signalés dans un délai d'une (1) semaine de la livraison.
10. Des dommages ou des pièces manquantes à tout produit exposé, déballé, soldé ou remis à neuf.
11. Des produits dont le numéro de série original a été retiré, modifié ou ne peut être facilement déterminé. Le modèle et le numéro de série, ainsi que le reçu de vente original du détaillant, sont requis pour valider la garantie.
12. L'augmentation des coûts et de la consommation des services publics.
13. Le remplacement des ampoules électriques, des filtres et de toute pièce non durable.
14. Les réparations requises si le produit ne sert pas à une utilisation domestique normale et habituelle (y compris, sans toutefois s'y limiter, une utilisation commerciale, dans un bureau ou un centre récréatif) ou est utilisé contrairement aux instructions spécifiées dans le manuel d'utilisation du produit.
15. Les coûts associés à l'enlèvement du produit de votre résidence aux fins de réparation.
16. L'enlèvement et la réinstallation du produit, s'il est installé à un endroit inaccessible ou contrairement aux instructions d'installation publiées, y compris dans le manuel d'utilisation et le manuel d'installation du produit.
17. Les accessoires du produit, tels que les balconnets, les tiroirs, les poignées, les tablettes, etc. Sont également exclues les pièces non incluses initialement avec le produit.

Tous les coûts associés aux circonstances exclues ci-dessus seront assumés par le consommateur.

**Pour obtenir tous les détails sur la garantie et accéder au service à la clientèle, téléphonez-nous ou visitez notre site Web :**

**Écrivez vos renseignements de garantie ci-dessous :**

Composez le 1-888-542-2623 (24 h sur 24, 365 jours par année) et sélectionnez l'option de menu appropriée, ou visitez notre site Web au <http://www.lg.ca>

**Renseignements sur l'enregistrement du produit :**

**Modèle :**

**Numéro de série :**

**Date d'achat :**