



## INSTALLATION INSTRUCTIONS

# PEDESTAL KIT

---



Before beginning installation, read these instructions carefully. This will simplify installation and ensure that the product is installed correctly and safely. Leave these instructions near the product after installation for future reference.

EN ENGLISH



MBM67201804  
Rev.00\_090420

[www.lg.com](http://www.lg.com)

Copyright © 2020 LG Electronics Inc. All Rights Reserved

## READ ALL INSTRUCTIONS BEFORE USE

The following safety guidelines are intended to prevent unforeseen risks or damage from unsafe or incorrect operation of the appliance.

The guidelines are separated into 'WARNING' and 'CAUTION' as described below.

### Safety Messages



This symbol is displayed to indicate matters and operations that can cause risk. Read the part with this symbol carefully and follow the instructions in order to avoid risk.



#### **WARNING**

This indicates that the failure to follow the instructions can cause serious injury or death.



#### **CAUTION**

This indicates that the failure to follow the instructions can cause the minor injury or damage to the product.

## WARNING



#### **WARNING**

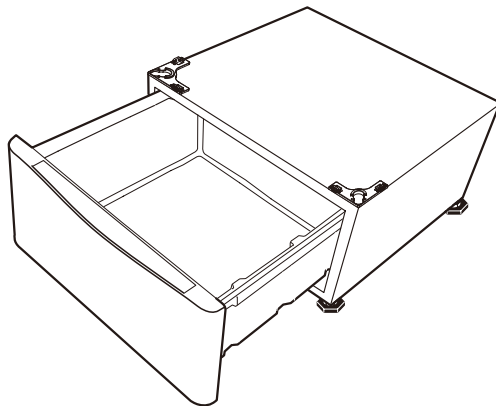
**To reduce the risk of explosion, fire, death, electric shock, injury or scalding to persons when using this product, follow basic precautions, including the following:**

- This appliance should only be installed and transported by two or more people holding the pedestal kit securely.
- Unplug the front-loading washing machine or dryer before stacking it on top of the pedestal kit.

## Parts and Dimensions

The images in this guide may be different from the actual components and accessories, which are subject to change by the manufacturer without prior notice for product improvement purposes.

### Front View

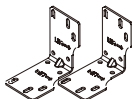


### Accessories

1



2



3



4



5

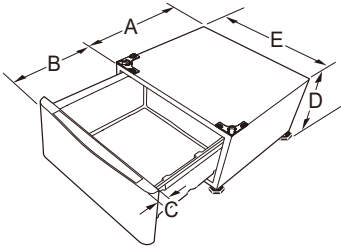


6



- 1 Anti-slip sheets (2 EA)
- 2 Brackets (back) (2 EA)
- 3 Spanner
- 4 M 4 X 10 Screws : 13 EA
- 5 M 4 X 20 Screws : 11 EA
- 6 M 4 X 10 Screws : 5 EA

## Dimensions



A	26.3"	669 mm
B	17.5"	444 mm
C	3.4"	86 mm
D	14.4"	365 mm
E	25"	635 mm

## Stacking Pedestal Kit

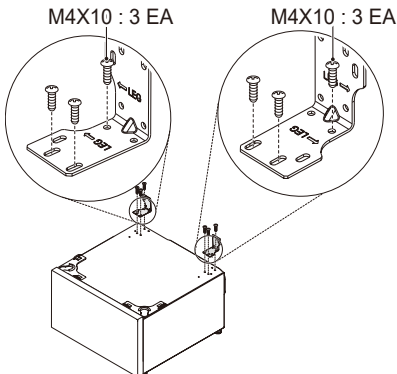
### Before Installation

LG's pedestal can be installed in the following cases.

- LG's Front Load Washing Machines with 770 mm depth and TWINWash logo on the front side

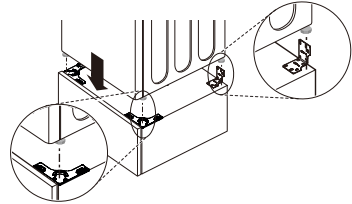
### How to Stack

- 1 Attach the two back brackets on the rear top of the pedestal kit by inserting screws in each bracket.



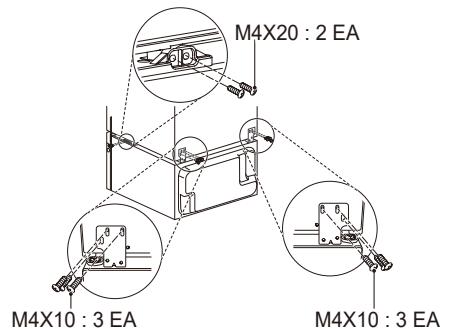
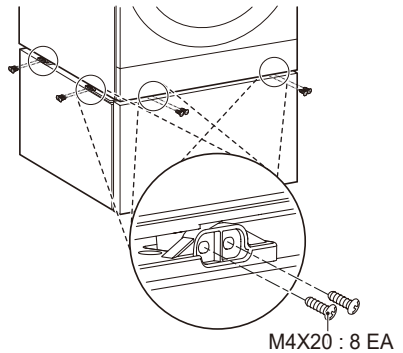
- 2 Place the washing machine on top of pedestal kit.

- Make sure the 4 legs are totally locked and the holes of pedestal kit align with the holes of washing machine.

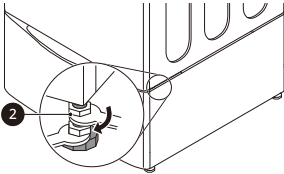
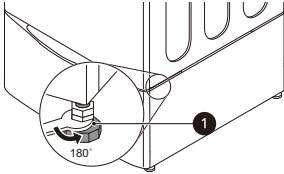


- 3 Securely attach the two products at the corners using screws.

- First, insert screws on each side. Then insert screws on the front and back side.
- Tighten Screws to assemble the stacking holder.



- 4 Extend all 4 feet ① of washing machine slightly until it is snugged up against pedestal kit. Then tighten the four lock nuts ②.



- 5 Turn all 4 leveling feet ① in one direction to raise the pedestal kit or the other direction to lower it. Then tighten the locknuts ②.

