

SIMPLE MANUAL

# MINI HI-FI AUDIO

To view the instructions of advanced features,  
visit <http://www.lg.com> and then download Owner's Manual.  
Some of the content in this manual may differ from your unit.

MODEL  
OM4560



ENGLISH

DEUTSCH

FRANÇAIS

NEDERLANDS

SLOVENIŠČINA

ITALIANO

ESPAÑOL

ΕΛΛΗΝΙΚΑ

PORTUGUÊS

MAGYAR

ČESKY

HRVATSKI

SRPSKI

SLOVENČINA

БЪЛГАРСКИ

МАКЕДОНСКИ

POLSKI

ROMÂNĂ

РУССКИЙ

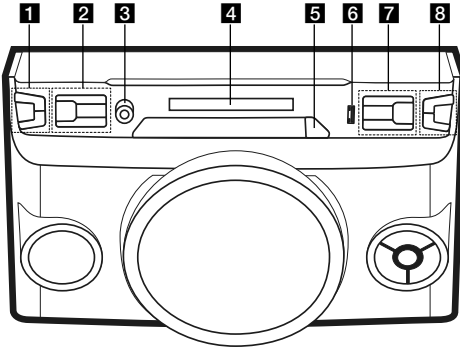
LATVIŠU

LIETUVIŲ K.

EESTI

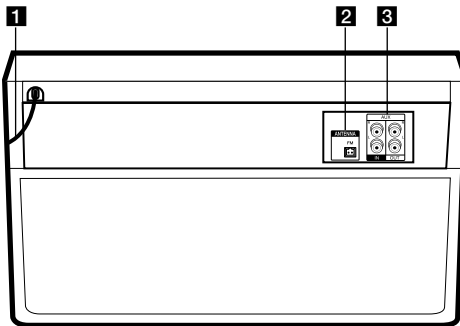


## Front Panel



- 1** (Power) : Switches the unit ON or OFF.  
MIC +/- : Adjusts microphone volume.
- 2** **F / WIRELESS LINK** : Selects the function and input source.  
/ Press and hold for 3 seconds to select WIRELESS PARTY LINK mode.  
**REGION EQ / BASS BLAST** : Chooses region equalizer. /  
Press and hold for 3 seconds to select BASS (BASS BLAST) effect directly.  
**VOICE CANCELLER** : You can enjoy the function while playing the music, by reducing singer vocal of music in the various source.  
**USB REC / DEMO** : Records to USB. / Shows Demo mode.
- 3** **MIC 1** : Connect a microphone.
- 4** Display window
- 5** : Opens and closes the disc tray.
- 6** **USB Port** : You can play or record sound files by connecting the USB device.
- 7** **|<< / >>|** : Skips fast backward or forward. / Searches for a section within a track/file.  
 / **RDS** : Stops playback or cancels DELETE function. / RDS (Radio Data System)  
**> / ||** : Starts or pauses playback.
- 8** **VOL +/-** : Adjusts speaker volume.  
**LIGHTING / PARTY LINK** : Turns on/off the lighting effects. / Press and hold for 3 seconds to select PARTY LINK mode.

## Rear Panel



- 1** Power cord
- 2** FM ANTENNA
- 3** AUX IN (L/R)  
AUX OUT (L/R)

### Controller App



Download the **Music Flow Bluetooth** App to your device.

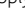
### LG Sound Sync (Wireless)



For more information, download the online owner's manual. <http://www.lg.com>

## Additional Information

### Specification

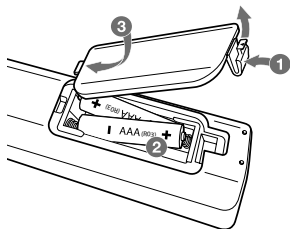
Power requirements	Refer to main label.
Power consumption	Refer to main label. Networked standby : 0.5 W (If all network ports are activated.)
Dimensions (W x H x D)	Approx. 451.5 mm x 311 mm x 302.5 mm
Net Weight	Approx. 7.5 kg
Bus Power Supply (USB)	5 V  500 mA
Amplifier (Total RMS output power)	220 W x 1 (3 Ω at 1 kHz, 25 % THD)

Design and specifications are subject to change without notice.

### How to disconnect the wireless network connection or the wireless device

Turn off the unit by pressing the power button for more than 5 seconds.

### Replacement of battery



### Declaration of Conformity



Hereby, LG Electronics declares that the radio equipment type MINI HI-FI AUDIO is in compliance with Directive 2014/53/EU. The full text of the EU declaration of conformity is available at the following internet address:

<http://www.lg.com/global/support/cedoc/cedoc#>

For consideration of the user, this device should be installed and operated with a minimum distance of 20 cm between the device and the body.

Frequency range	Output power (Max.)
2402 to 2480 MHz	10 dBm

Wireless function S/W version: 1.0

