

Printing Specification

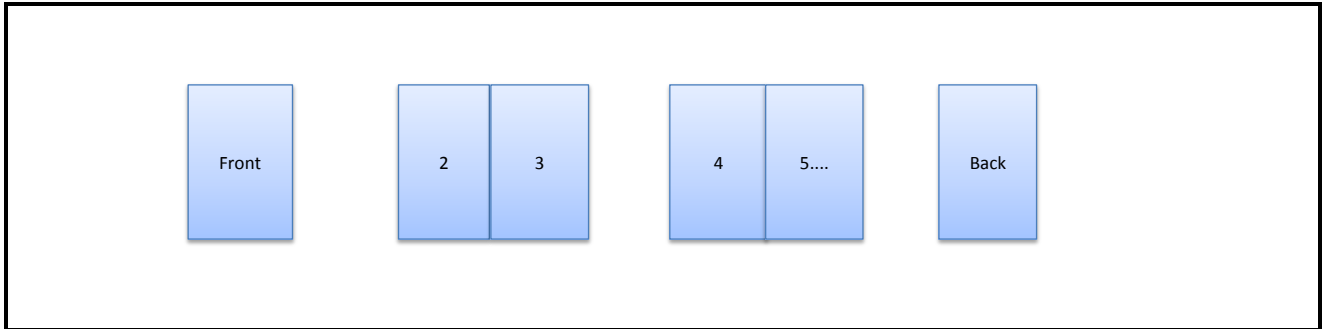
1. Model Description

Model/Item Name	: 86TR3E	Brand name	: LG	Part number	: MFL70371003
Suffix	: WN	Product	: SIGNAGE	(Revision number)	: (REV01)

2. Printing Specification

1. Trim size (Format) (W X H) : 148 mm x 210 mm (A5)					
2. Printing colors					
• Cover	: 1 Color (Black)	• Inside	: 1 Color (Black)		
3. Stock (Paper)					
• Cover	: Uncoated, wood-free paper 60 g/ m²	• Inside	: Uncoated, wood-free paper 60 g/ m²		
4. Bindery					
	: Saddle stitching	5. Number of pages	: 8		
6. Language					
	: ENG_US/FRE_CA/SPA_LA (3)				

3. Pagination sheet



4. Origin Notification

<p>www.lg.com</p> <p>P/No : MFL69707613 (1708-REV03)</p> <p>Copyright © 2017 LG Electronics Inc. All Rights Reserved.</p> <p style="color: red; font-weight: bold;">Printed in Korea</p>	<p>[Country Name]</p> <p>LGERS/ LGEMX : Mexico</p> <p>LGEKR : Korea</p> <p>LGEMA/LGEWR : Poland</p> <p>LGEND/LGESY : China</p> <p>Others : Each Country name.</p>	
<p>Changes the Country name.</p> <p>Printed in [Country Name]</p>		
N O T E	<p>*This part contains Eco-hazardous substances (Pb, Cd, Hg, Cr6+, PBB, PBDE, etc.) within LG standard level, Details should be followed Eco-SCM management standard[LG(56)-A-2524]. Especially, Part should be followed and controlled the following specification.</p> <p>(1) Eco-hazardous substances test report should be submitted when Part certification test and First Mass Production.</p> <p>(2) Especially, Don't use or contain lead(Pb) and cadmium(Cd) in ink.</p>	

5. Changes

REV07				
REV06				
REV05				
REV04				
REV03				
REV02				
REV01	Sep/13/2018	U. K. Choi	EKMI900146	To add a sentence in ESG about batteries
REV00	Jan/12/2018	Eunhye Jeong		Checked : Ungkee.Choi
				Approved : Jongok. Kim
Rev. Number	MMM/DD/YYYY	Signature	ECO Number	Change Contents



86TR3E

LG Digital Signage
(MONITOR SIGNAGE)
Affichage dynamique numérique LG
(MONITEUR DE SIGNALISATION)
Señalización digital LG
(MONITOR DE SEÑALIZACIÓN)

ENGLISH Easy Setup Guide

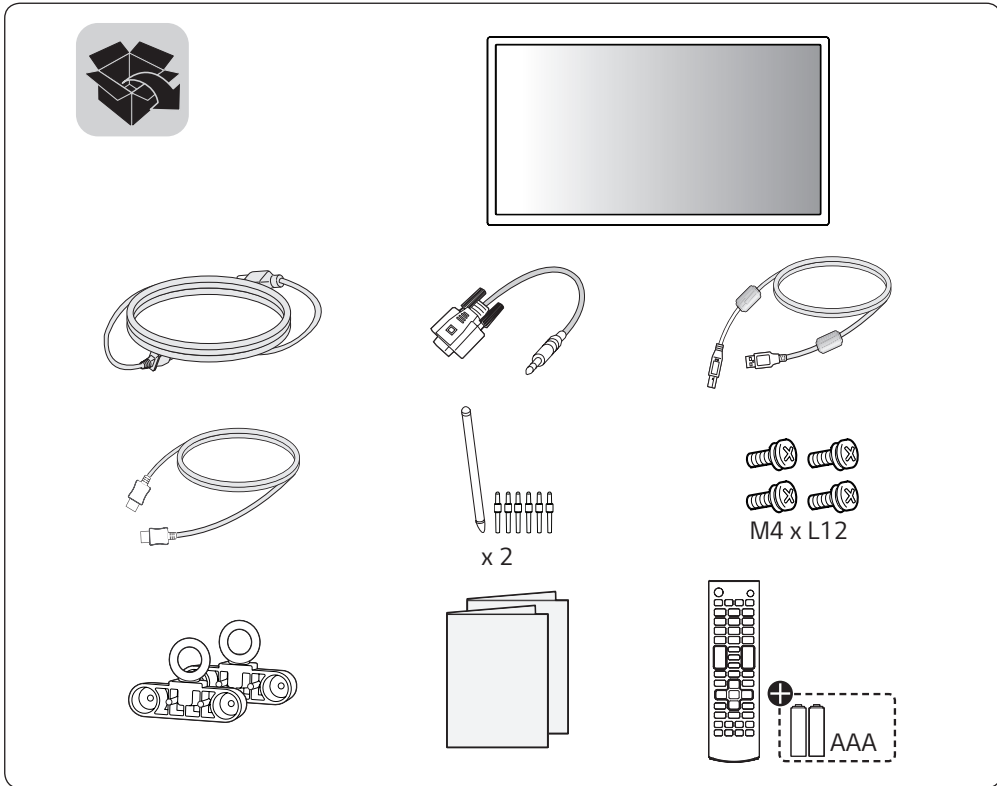
Please read this manual carefully before operating your set and retain it for future reference.

FRANÇAIS Guide de configuration rapide

Veillez lire ce manuel attentivement avant d'utiliser l'appareil et conservez-le pour pouvoir vous y reporter ultérieurement.

ESPAÑOL Guía Rápida

Lea atentamente este manual antes de poner en marcha el equipo y consérvelo para futuras consultas.



+ Depending upon country / Selon le pays / Según del país



P/No: MFL70371003 (1810-REV01)

**English**

You can download the web manuals for this product at the following websites. (Keyword : TR3E)

Français

Vous pouvez télécharger en ligne les guides pour ce produit à partir des sites Web suivants. (Mot-clé : TR3E)

Español

Puede descargar los manuales web de este producto en los siguientes sitios web. (Palabra clave : TR3E)

- www.lg.com/id-manual



SuperSign : <http://partner.lge.com>



English

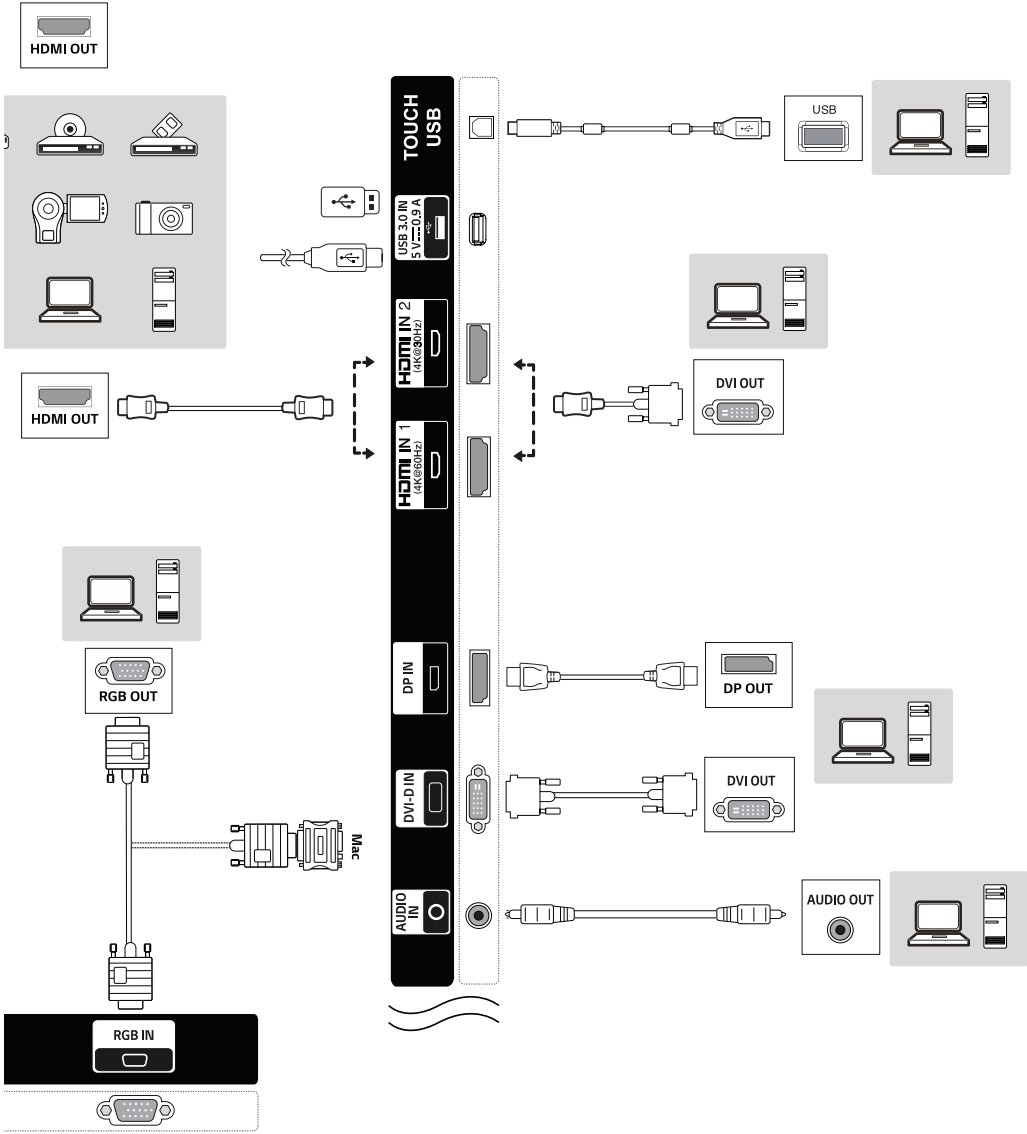
Dimensions (Width x Height x Depth) / Weight	2026.9 mm x 1180.3 mm x 92.9 mm / 85.8 kg
--	---

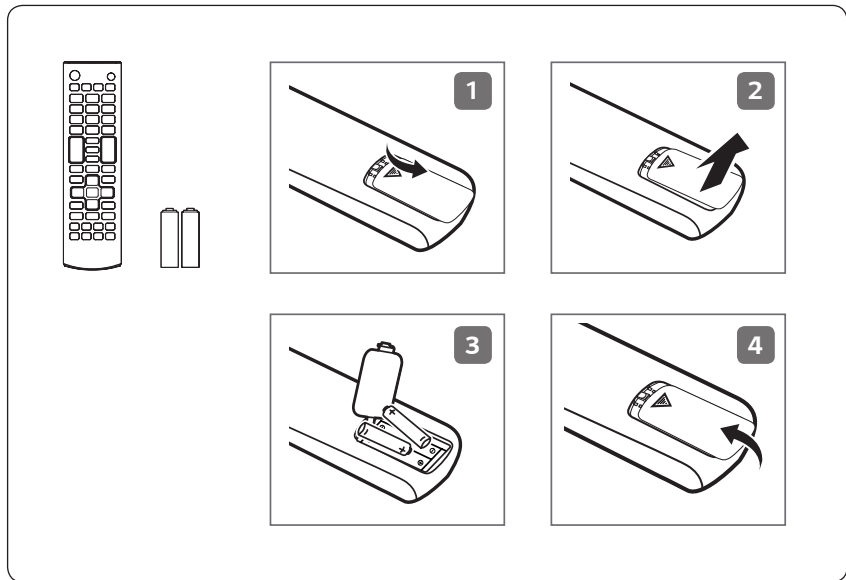
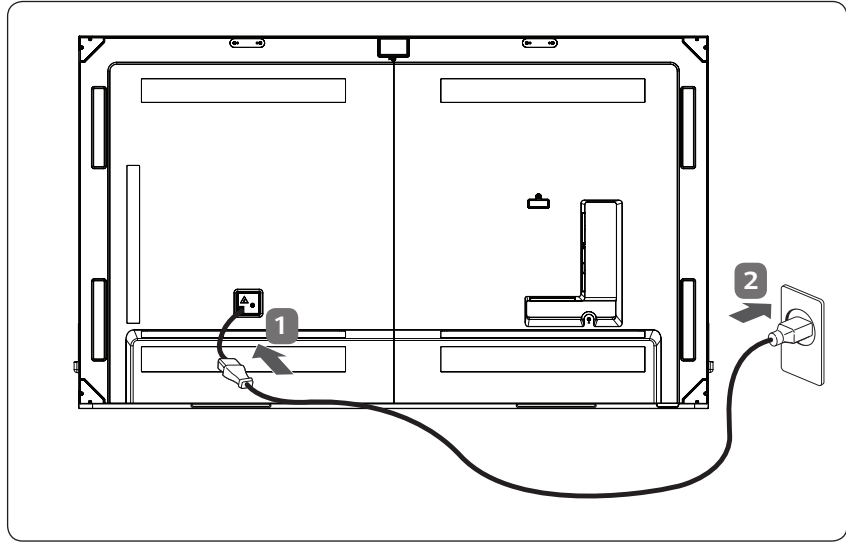
Français

Dimensions (largeur x hauteur x profondeur) / Poids	2 026,9 mm x 1 180,3 mm x 92,9 mm / 85,8 kg
---	---

Español

Dimensiones (ancho x alto x profundidad) / Peso	2 026,9 mm x 1 180,3 mm x 92,9 mm / 85,8 kg
Alimentación	AC 100-240 V ~ 50/60 Hz 3,8 A





English

Due to the environment regulations about importation and disposal of batteries, remote control batteries will not be provided with LG monitor signage / commercial TV models (Argentina and Colombia).

Español

Por regulaciones de tipo ambiental respecto a la importación y destrucción de baterías, LG monitor signage / commercial TVs no van a traer incluidas las pilas del control remoto (Argentina y Colombia).

