



Scan the QR code to see the manual.



OWNER'S MANUAL

ELECTRIC HOB



Before beginning installation, read these instructions carefully. This will simplify installation and ensure that the product is installed correctly and safely. Leave these instructions near the product after installation for future reference.

ENGLISH

CBEZ2414B



MFL62060362
Rev.05_051226



www.lg.com

Copyright © 2022-2026 LG Electronics. All Rights Reserved

TABLE OF CONTENTS

This manual may contain images or content that may be different from the model you purchased.
This manual is subject to revision by the manufacturer.

SAFETY INSTRUCTIONS

READ ALL INSTRUCTIONS BEFORE USE..... 3
WARNING 3
CAUTION 7
CARING FOR THE ENVIRONMENT 8

INSTALLATION

Product Overview..... 9
Installation 10

OPERATION

Cookware 14
Using the Hob Elements..... 15

MAINTENANCE

Care and Cleaning..... 19

TROUBLESHOOTING

Before Calling for Service..... 21

SAFETY INSTRUCTIONS

READ ALL INSTRUCTIONS BEFORE USE

The following safety guidelines are intended to prevent unforeseen risks or damage from unsafe or incorrect operation of the appliance. The guidelines are separated into '**WARNING**' and '**CAUTION**' as described below.

Safety Messages



This symbol is displayed to indicate matters and operations that can cause risk. Read the part with this symbol carefully and follow the instructions in order to avoid risk.



WARNING

This indicates that the failure to follow the instructions can cause serious injury or death.



CAUTION

This indicates that the failure to follow the instructions can cause the minor injury or damage to the product.

WARNING



WARNING

- To reduce the risk of explosion, fire, death, electric shock, injury or scalding to persons when using this product, follow basic precautions, including the following:

Installation

- Disconnect the appliance from the mains electricity supply before carrying out any work or maintenance on it.
- Connection to a good earth wiring system is essential and mandatory.

- Alterations to the domestic wiring system must only be made by a qualified electrician.
- In order to avoid a hazard, this appliance must be installed according to these instructions for installation.
- This appliance is to be properly installed and earthed only by a suitably qualified person.
- This appliance should be connected to a circuit which incorporates an isolating switch providing full disconnection from the power supply.
- Failure to install the appliance correctly could invalidate any warranty or liability claims.
- If the supply cord is damaged, it must be replaced by the manufacturer, its service agent or similarly qualified persons in order to avoid a hazard.
- The appliance must not be installed behind a decorative door or cover in order to avoid overheating.
- Never modify or alter the construction of an appliance such as removal of panels, wire covers or any other permanent part of the product.

Operation

- Do not cook on a broken or cracked hob. If the hob surface should break or crack, switch the appliance off immediately at the mains power supply (wall switch) and contact a qualified technician.
- This appliance complies with electromagnetic safety standards. However, persons with cardiac pacemakers or other electrical implants (such as insulin pumps) must consult with their doctor or implant manufacturer before using this appliance to make sure that their implants will not be affected by the electromagnetic field.
- During use, accessible parts of this appliance will become hot enough to cause burns.
- Do not let your body, clothing or any item other than suitable cookware contact the glass until the surface is cool.
- Metallic objects such as knives, forks, spoons and lids should not be placed on the hob surface since they can get hot.

- Keep children away.
- Handles of saucepans may be hot to touch. Check saucepan handles do not overhang other cooking zones that are on. Keep handles out of reach of children.
- Never leave the appliance unattended when in use. Boilover causes smoking and greasy spillovers that may ignite.
- Never leave any objects or utensils on the appliance.
- Care should be taken to avoid touching heating elements.
- Never use your appliance for warming or heating the room.
- After use, always turn off the cooking zones and the hob as described in this manual (i.e. by using the control panel). Do not rely on the pan detection feature to turn off the cooking zones when you remove the pans.
- Children should be supervised to ensure that they do not play with the appliance.
- Children or persons with a disability which limits their ability to use the appliance should have a responsible and competent person to instruct them in its use. The instructor should be satisfied that they can use the appliance without danger to themselves or their surroundings.
- Do not store items of interest to children in cabinets above the appliance. Children climbing on the hob could be seriously injured.
- Do not leave children alone or unattended in the area where the appliance is in use.
- This appliance is not intended for use by persons (including children) with reduced physical, sensory or mental capabilities, or lack of experience and knowledge, unless they have been given supervision or instruction concerning use of the appliance by a person responsible for their safety.
- Children less than 8 years of age shall be kept away unless continuously supervised.
- Keep the appliance and its cord out of reach of children less than 8 years.

- Keep pets away from the product to avoid risk of fire or burns. Do not allow pets to climb on the product even when it is not in operation.
- No combustible material or products should be placed on this appliance at any time.
- If the surface is cracked, switch off the appliance to avoid the possibility of electric shock. Do not reuse your hob until the glass surface has been changed by technical specialist.
- The appliance and its accessible parts become hot during use.
- Danger of fire: Do not store items on the cooking surfaces.
- Never keep any combustible items or aerosol cans in a drawer located under the hob.
- Unattended cooking on a hob with fat or oil can be dangerous and can result in a fire. NEVER try to extinguish a fire with water, but switch off the appliance and then cover flame e.g. with a lid or a fire blanket.
- Use only hob guards designed by the manufacturer of the cooking appliance or indicated by the manufacturer of the appliance in the instructions for use as suitable or hob guards incorporated in the appliance. The use of inappropriate guards can cause accidents.
- Never use the Boost function to preheat empty cookware or to heat oil, butter or lard. The cookware may be damaged and the fat or grease may catch fire if overheated.

Maintenance

- Cleaning and user maintenance shall not be made by children without supervision.
- Do not repair or replace any part of the appliance unless specifically recommended in the manual. All other servicing should be done by a qualified technician.
- If the supply cord is damaged, it must be replaced by the manufacturer, its service agent or similarly qualified persons in order to avoid a hazard.
- Do not spray water on the product or immerse it in a sink for cleaning.
- Switch the hob off at the wall before cleaning or maintenance.

- Do not repair or replace any part of the appliance. All servicing should be done only by a qualified technician to avoid the risk of personal injury and damage to the appliance.

CAUTION

CAUTION

- To reduce the risk of injury to persons, malfunction, or damage to the product or property when using the appliance, follow basic safety precautions, including the following:

Installation

- Take care - panel edges are sharp.
- Make this information available to the person responsible for installing the appliance as it could reduce your installation costs.
- Failure to install the appliance correctly could invalidate any warranty or liability claims.

Operation

- The razor-sharp blade of a hob scraper is exposed when the safety cover is retracted. Use with extreme care and always store safely and out of reach of children.
- Never use your appliance as a work or storage surface.
- Do not place or leave any magnetisable objects (e.g. credit cards, memory cards) or electronic devices (e.g. computers, MP3 players) near the appliance, as they may be affected by its electromagnetic field.
- Do not place or drop heavy objects on your hob. Doing so can cause the hob surface to crack.
- Do not stand on your hob.
- Do not use pans with jagged edges or drag pans across the glass surface as this can scratch the glass.

- This appliance is intended to be used in household and similar domestic applications such as:
 - staff kitchen areas in shops, offices and other working environments
 - farm houses
 - by clients in hotels, motels and other residential type environments
 - bed and breakfast type environments.
- The appliance is not intended to be operated by means of an external timer or separate remote-control system. This does not apply if operation with appliances included in EN 50615 is switched off.
- The cooking process has to be supervised. A short term cooking process has to be supervised continuously.

Maintenance

- Do not use scourers or any other harsh abrasive cleaning agents to clean your hob, as these can scratch the glass.
- A steam cleaner is not to be used.
- Do not use a steam cleaner to clean your hob.

CARING FOR THE ENVIRONMENT

Used Appliances

CAUTION

- Used appliances must be rendered unusable prior to disposal so that they no longer present a risk. To achieve this, disconnect from the mains supply and remove the power supply cable.

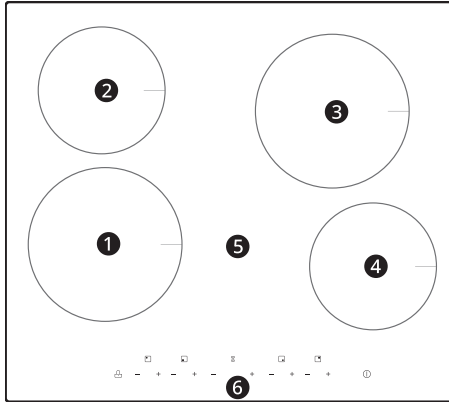
For the protection of the environment, used appliances must be disposed of properly.

- The appliance must not be disposed of along with normal domestic waste.

INSTALLATION

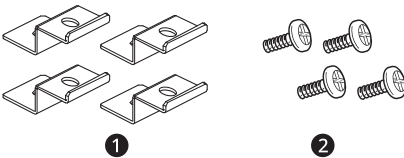
Product Overview

Parts and Features



1	Max. 1800 W Zone, Diameter 20 cm
2	Max. 1200 W Zone, Diameter 16.5 cm
3	Max. 1800 W Zone, Diameter 20 cm
4	Max. 1200 W Zone, Diameter 16.5 cm
5	Glass Plate
6	Control Panel

Accessories



1 Retainer Brackets (4 ea)

2 Screws (4 ea)

Technical Specifications

Cooking Hob	CBEZ2414B
Cooking Zones	4 zones
Supply Voltage	220-240 V~ 50/60 Hz
Maximum Connected Load Power	5500-6600 W
Appliance Dimensions Width X Depth X Height (mm)	590 X 520 X 55

10 INSTALLATION

Cooking Hob	CBEZ2414B
Countertop Cutout Dimensions Width X Depth (mm)	560 X 490

Dimensions are approximate.

Installation

Dimensions and Clearances

Cut out the work surface according to the sizes shown in the drawing.

For the purpose of installation and use, a minimum of 5 cm distance shall be preserved around the cutout.

Be sure the thickness of the work surface is at least 30 mm. Select heat-resistant and insulated work surface material to avoid electrical shock and larger deformation caused by heat radiation from the hob. Wood and similar fibrous or hygroscopic material shall not be used as work surface material unless impregnated. As shown below:

NOTE

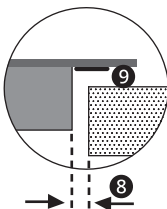
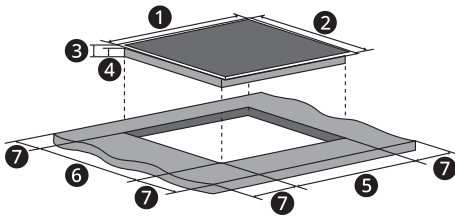
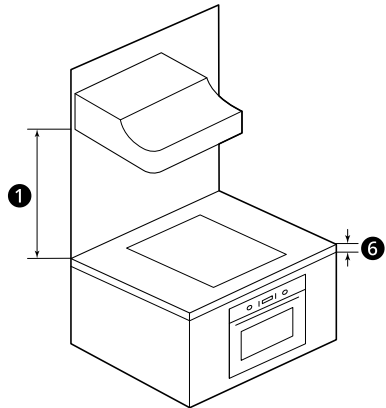
- The safety distance between the sides of the hob and the inner surfaces of the worktop **8** should be at least 3 mm.

- 4** 51 mm **5** 561 mm - 564 mm
- 6** 491 mm - 494 mm **7** Min. 50 mm
- 8** Min. 3 mm **9** Seal

Under any circumstances, make sure the hob is well ventilated and the air inlet and outlet are not blocked. Ensure the hob is in a good working situation, as shown below.

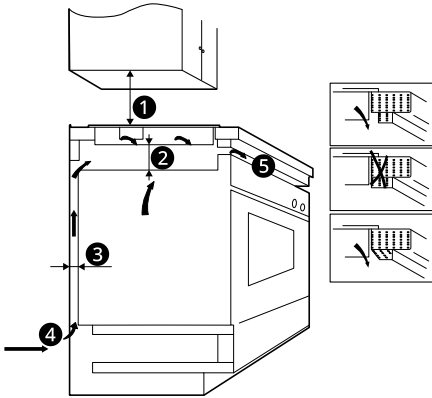
NOTE

- The safety distance between the hob and the cupboard above the hob **1** should be a minimum of 760 mm when there is no range hood fitted. If there is a range hood fitted, then the safety distance specified by the manufacturer of the range hood must be maintained between the cooktop hob and the range hood above it.

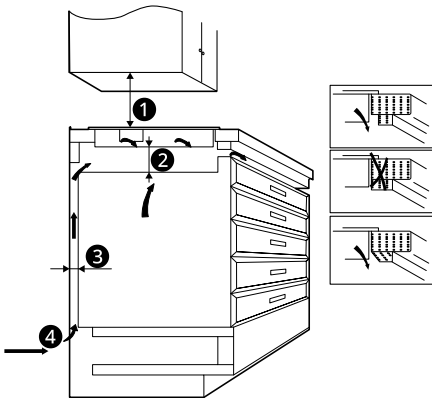


- 1** 590 mm **2** 520 mm **3** 55 mm

Oven



Drawer



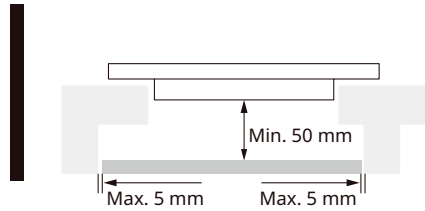
- ① Min. 760 mm
- ② Min. 50 mm
- ③ Min. 20 mm
- ④ Air intake
- ⑤ Air exit 5 mm
- ⑥ Min. 30 mm

⚠ WARNING

• **Ensuring Adequate Ventilation**

Make sure the hob is well ventilated and that air inlet and outlet are not blocked. In order to avoid accidentally touching the hot bottom of the hob, or unexpected electric shock during operation, it is necessary to fit a wooden insert, fixed by screws, at a minimum distance of 50 mm from

the bottom of the hob. Follow the requirements below.



- There are ventilation holes around outside of the hob. YOU MUST ensure these holes are not blocked by the worktop when you put the hob into position.
- The glue, which join the plastic or wooden material to the furniture has to resist to 150 °C to avoid the unstuck of the paneling.
- The rear wall, adjacent and surrounding surfaces must therefore be able to withstand a temperature of 90 °C.

Installing the Appliance

Before Installing the Hob

- Make sure that the work surface is square and level, and no structural members interfere with space requirements. An uneven surface can cause the hob glass to crack unexpectedly due to unequal surface pressures.
- Make sure that the work surface is made of a heat-resistant and insulated material.
- If the hob is installed above an oven, the oven must have a built-in cooling fan.
- The installation must comply with all clearance requirements and applicable standards and regulations.
- Make sure that a suitable isolating switch providing full disconnection from the mains power supply is incorporated in the permanent wiring, mounted and positioned to comply with local wiring rules and regulations.
- A device must be provided in the electrical installation that allows the appliance to be disconnected from the mains at all poles with a contact opening width of at least 3 mm. Suitable isolation devices include line protecting cut -

12 INSTALLATION

outs, fuses (screw type fuses are to be removed from the holder), earth leakage trips and contactors.

- The isolating switch must be easily accessible to the customer with the hob installed.
- Consult local building authorities and by-laws if in doubt regarding installation.
- Use heat-resistant and easy-to-clean finishes (such as ceramic tiles) for the wall surfaces surrounding the hob.
- The kitchen unit in which the appliance is fitted must satisfy the stability requirements of DIN 68930.

After Installing the Hob

- Make sure that the power cord is not accessible through cupboard doors or drawers.
- Make sure that there is adequate flow of fresh air from outside the cabinetry to the base of the hob.
- If the hob is installed above a drawer or cupboard space, a thermal protection barrier must be installed below the base of the hob.
- The isolating switch must be easily accessible by the customer.

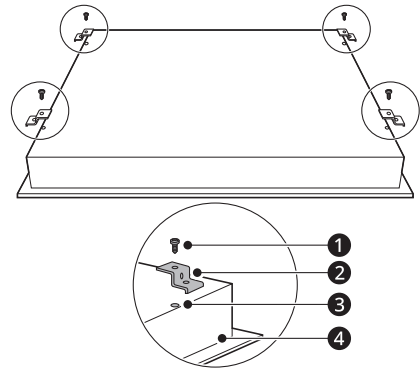
Before Locating the Fixing Brackets

- The appliance should be placed on a stable, smooth surface. Do not apply force onto the buttons protruding from the hob.

Adjusting the Bracket Position

Fix the hob on the work surface by screwing four brackets on the bottom of hob after installation.

Adjust the bracket position to suit for different work surface's thickness.



- 1 Screw
- 2 Bracket
- 3 Screw Hole
- 4 Base Plate

⚠ WARNING

- Under any circumstances, make sure that the brackets cannot come into contact with the inner surfaces of the worktop after installation.

⚠ CAUTION

- The hob must be installed by qualified technicians. We have technicians available for such service. Never carry out the installation by yourself.
 - The hob must not be installed directly above a dishwasher, fridge, freezer, washing machine or clothes dryer, as the humidity may damage the hob.
 - The hob shall be installed so that better heat radiation can be ensured to enhance its reliability.
 - The wall and induced heating zone above the installation surface shall withstand heat.
-

Connecting the hob to the mains power supply

This hob must be connected to the mains power supply only by a qualified electrician.

Before connecting the hob to the mains power supply, it is the Electricians responsibility to check that:

- The domestic wiring system is suitable for the power drawn by the hob.
- The voltage corresponds to the value given in the rating plate.
- The power supply cable sections can withstand the load specified on the rating plate.

Connect the hob to the mains power supply. Do not use adapters, reducers, or branching devices, as they can cause overheating and fire.

The power supply cable must not touch any hot parts and must be positioned so that its temperature will not exceed 75 °C at any point.

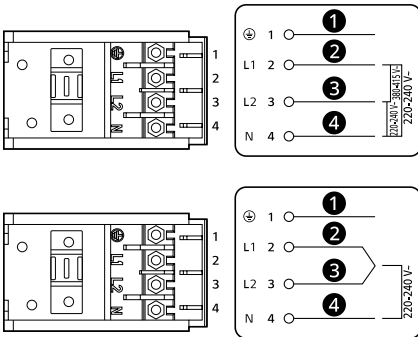
Check with an electrician whether the domestic wiring system is suitable without alterations.

Any alterations must only be made by a qualified electrician.

- The installer must ensure that the correct electrical connection has been made and that it is compliant with safety regulations.
- If the appliance is being connected directly to the mains an omnipolar circuit-breaker must be installed with a minimum opening of 3 mm between contacts.
- The power cord must not be bent or compressed.
- The power cord must be checked regularly and replaced by authorised technicians only.

⚠ WARNING

- Make sure that the bottom surface and the power cord of the hob do not come into contact.



- ① Yellow / Green
- ② Black
- ③ Brown
- ④ Blue

- If the power cord is damaged or needs to be replaced, contact an LG Electronics Customer Information Centre.

OPERATION

Cookware

Choosing the Right Cookware

- Do not use cookware with jagged edges or a curved base.



- Make sure that the base of your cookware is smooth, sits flat against the glass, and is the same size as the cooking zone. Use cookware whose diameter is as large as the graphic of the zone selected. Using a pot slightly wider will ensure that energy will be used with maximum efficiency. If you use a pot smaller than the cooking zone, efficiency could be less than expected. Always centre your cookware on the cooking zone.



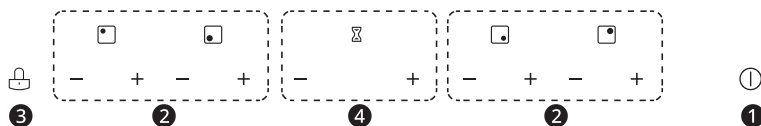
- Always lift cookware directly off the hob.



Using the Hob Elements

Using the Control Panel

Control Panel



① **ON/OFF** Button

② **Power Control**

③ **Keylock** Button

④ **Timer**

- To operate the buttons, press the desired button with the ball of your finger.



- You will hear a beep each time when you press.
- Make sure the buttons are always clean, dry, and that there is no object (e.g. a utensil or a cloth) covering them. Even a thin film of water may make the buttons difficult to operate.

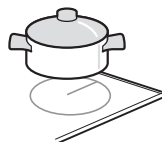
Using the Cooking Zones

- Press the **ON/OFF** button for one second. After power on, the buzzer beeps once, all displays show - or --, indicating that the hob has entered the state of standby mode.



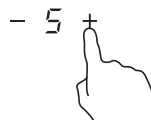
- Place suitable cookware on the cooking zone that you wish to use.

- Make sure the bottom of the cookware and the surface of the cooking zone are clean and dry.



- Select a heat setting by pressing the "-" or "+" button.

- If you don't choose a heat setting within 1 minute, the hob will automatically switch off. You will need to start again at step 1.
- You can modify the heat setting at any time during cooking by repeating of this step.
- You can set the heat setting from 0 to 9.
- By holding down either of these buttons, the value will adjust up or down.

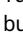



Power Settings

The settings below are guidelines only. The exact setting will depend on several factors, including your cookware and the amount you are cooking. Experiment with the hob to find the settings that best suit you.

Power setting	Suitability
1 - 2	<ul style="list-style-type: none"> Delicate warming for small amounts of food Melting chocolate, butter, and foods that burn quickly Gentle simmering Slow warming
3 - 4	<ul style="list-style-type: none"> Reheating Rapid simmering Cooking rice
5 - 6	<ul style="list-style-type: none"> Pancakes
7 - 8	<ul style="list-style-type: none"> Saut�eing Cooking pasta
9	<ul style="list-style-type: none"> Stir-frying Searing Bringing soup to the boil Boiling water

Finish Cooking

- Press the button that you wish to switch off. Turn the cooking zone off by pressing the "-" button until to  or pressing the "-" and "+" buttons together. Make sure the display shows .



1 OR

- Turn the whole hob off by pressing the **ON/OFF** button.



CAUTION

- Beware of hot surfaces**

H will show which cooking zone is too hot to touch. It will disappear when the surface has cooled down to a safe temperature. It can also be used as an energy saving function if you want to heat further cookware, use the hob that is still hot.



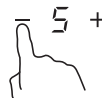
Using the Timer

- You can set it to turn one or more cooking zones off after the set time is up. The maximum setting time is 99 minutes.

Setting the timer to turn one or more cooking zones off automatically

Set one zone:

- Press the "-" or "+" button of the corresponding cooking zone you want to set the timer for.



- Set the time by pressing the "-" or "+" button of the timer.



NOTE

- The timer can be set before the power indicator has stopped flashing.

- When the timer is set, it will begin to count down immediately. The display will show the

remaining time and the timer indicator will flash for 5 seconds.

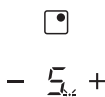


- 4** When cooking timer expires, the corresponding cooking zone will be switched off automatically. The display will show H which means hot.



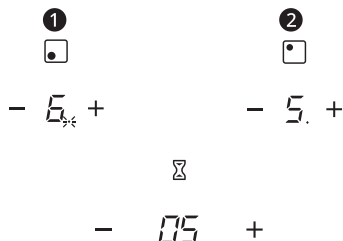
NOTE

- Other cooking zones will keep operating if they were turned on previously.
- The red dot next to power setting indicator will illuminate indicating that zone is select to timing.



Set more zones:

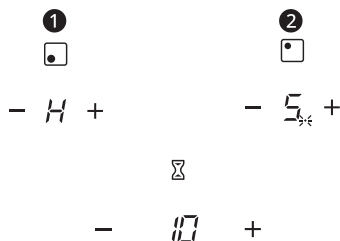
- 1** If more than one cooking zones use this function, the timer indicator will show the lowest time. (e.g. zone 1# **1** setting time of 5 minutes, zone 2# **2** setting time of 15 minutes, the timer indicator shows 5.)



NOTE

- The red dot next to power setting indicator will flash.

- 2** Once the countdown timer expires, the corresponding zone will switch off. Then it will show the new min. timer and the dot of corresponding zone will flash.



1 zone 1#

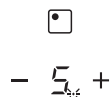
2 zone 2#

- 3** When cooking timer expires, the corresponding cooking zone will be switch off automatically.



NOTE

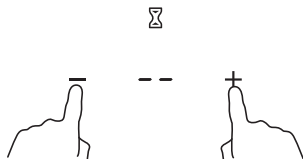
- The red dot next to power setting indicator will illuminate indicating that zone is selected.



- If you want to change the time after the timer is set, you have to start from step 1.
- The minute display shows minimum time left min. timer. Only the red dot next to power setting of the relevant cooking zone will flash.

Canceling the Timer

- 1 Press the “-” and “+” buttons together, the timer is cancelled, and the -- will show in the minute display.



Locking the Buttons

- You can lock the buttons to prevent unintended use (for example children accidentally turning the cooking zones on).
- When the buttons are locked, all buttons are disabled.

To lock the buttons

- 1 Press the **Keylock** button for 3 seconds.



- 2 The timer indicator displays Lo and the timing time flashes alternately.

To unlock the buttons

- 1 Press the **Keylock** button for 3 seconds.



NOTE

- When the hob is in the lock mode, all the buttons are disabled except the **ON/OFF** button. You can always turn the hob off with the **ON/OFF** button in an emergency, but you will need to unlock the hob before the next operation.

Default Working Times

Auto shut down is a safety protection function for your hob. It shuts down automatically if ever you forget to turn off your cooking. The default working times for various power settings are shown in the below table:

Power setting	Default working times (hour)
1 - 3	8
4 - 6	4
7 - 9	2

⚠ CAUTION

- People with a heart pace maker should consult with their doctor before using this unit.

MAINTENANCE

Care and Cleaning

Cleaning the Appliance

⚠ CAUTION

- A steam cleaner is not to be used.

Everyday Soiling on Glass (Fingerprints, Marks, Stains Left by Food or Non-sugary Spillovers on the Glass)

- 1 Switch the power to the hob off.
- 2 Apply a hob cleaner while the glass is still warm (but not hot!).
- 3 Rinse and wipe dry with a clean cloth or paper towel.

NOTE

- When the power to the hob is switched off, there will be no 'hot surface' indication but the cooking zone may still be hot! Take extreme care.
- Heavy-duty scourers, some nylon scourers and harsh/abrasive cleaning agents may scratch the glass. Always read the label to check if your cleaner or scourer is suitable.
- Never leave cleaning residue on the hob: the glass may become stained.

Boilovers, Melts, and Hot Sugary Spills on the Glass

Remove these immediately with a fish slice, palette knife or razor blade scraper suitable for hob, but beware of hot cooking zone surfaces:

- 1 Switch the power to the hob off at the wall.

- 2 Hold the blade or utensil at a 30° angle and scrape the soiling or spill to a cool area of the hob.
- 3 Clean the soiling or spill up with a dish cloth or paper towel.
- 4 Follow steps 2 to 3 for 'Everyday Soiling on Glass' above.

NOTE

- Remove stains left by melts and sugary food or spillovers as soon as possible. If left to cool on the glass, they may be difficult to remove or even permanently damage the glass surface.
- Cut hazard: when the safety cover is retracted, the blade in a scraper is razor-sharp. Use with extreme care and always store safely and out of reach of children.

Spillovers on the Control Panel

- 1 Switch the power to the hob off.
- 2 Soak up the spill.
- 3 Wipe the control panel area with a clean damp sponge or cloth.
- 4 Wipe the area completely dry with a paper towel.

NOTE

- The hob may beep and turn itself off, and the control panel may not function while there is liquid on them. Make sure that you wipe the control panel area dry before turning the hob back on.
-

TROUBLESHOOTING

Before Calling for Service

Repairs should be performed by a licensed technician only. Improper repair may result in considerable danger to you and others. However, some minor problems can be resolved as in the table below:

If a problem is not solved, please contact an LG Electronics Customer Information Centre.

Parts and Features

Symptoms	Possible Cause & Solution
The hob cannot be turned on.	<p>No power</p> <ul style="list-style-type: none"> Make sure the hob is connected to the power supply and that it is switched on. Check whether there is a power outage in your home or area. If you've checked everything and the problem persists, call a qualified technician.
The control panel is unresponsive.	<p>The buttons are locked.</p> <ul style="list-style-type: none"> Unlock the buttons. See section 'Locking the Buttons' for instructions.
The control panel is difficult to operate.	<p>There may be a slight film of water over the buttons or you may be using the tip of your finger when touching the buttons.</p> <ul style="list-style-type: none"> Make sure the control panel area is dry and use the ball of your finger when touching the buttons,
The glass is becoming scratched and marked.	<p>Rough-edged cookware</p> <ul style="list-style-type: none"> Use cookware with flat and smooth bases. See 'Choosing the Right Cookware'.
	<p>Unsuitable, abrasive scourer or cleaning products being used.</p> <ul style="list-style-type: none"> See 'MAINTENANCE'.
The LED does not come on when unit is plugged in.	<p>No power supplied.</p> <ul style="list-style-type: none"> Check to see if plug is secured tightly in outlet and that outlet is working.

Standby Power Consumption

Standby power consumption	0.50 W
The period of time after which the power management function, or a similar function, switches the equipment automatically into standby and/or off mode and/or the condition providing networked standby	1 minute

After Sales Service (Egypt Only)

- Shelf Life Time : 6 Years
- LG is committed to providing all spare parts of this appliance during the shelf life time.

Memo

