



SIMPLE MANUAL

Mini Hi-Fi Audio

Please read this manual carefully before operating your set and retain it for future reference. To view the instructions of advanced features, visit <http://www.lg.com> and then download Owner's Manual. Some of the content in this manual may differ from your unit.

MODEL
OK75N



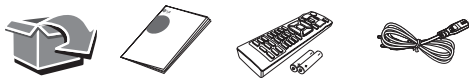
MFL70403095

ENGLISH	ČESKY	SLOVENČINA
DEUTSCH	SLOVENČINA	SHQIP
FRANÇAIS	POLSKI	BOSANSKI
NEDERLANDS	ROMÂNĂ	SVENSKA
ITALIANO	LATVIEŠU	DANSK
ESPAÑOL	HRVATSKI	NORSK
ΕΛΛΗΝΙΚΑ	SRPSKI	SUOMI
PORTUGUÊS	БЪЛГАРСКИ	МАКЕДОНСКИ
MAGYAR		

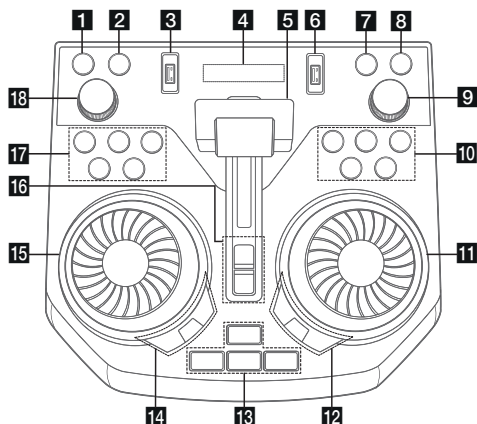
www.lg.com

Copyright © 2021 LG Electronics Inc. All Rights Reserved.

1903_Rev03



Top panel



- 1** (Standby)
Turns the power on or off.
- 2** **USB REC / DEMO**
- Records to USB.
- To stop Recording, press and hold for 3 seconds.
- In power off status, if you press **USB REC / DEMO**, show demo mode.
- 3** **USB 1 Port**
You can play sound files by connecting the USB device.
- 4** Display window
- 5** **PARTY ACCELERATOR** lever
Slide the lever to create a party atmosphere.
- 6** **USB 2 Port**
You can play sound files by connecting the USB device.
- 7** **F (Function)**
Selects the function and input source.
- 8** **WIRELESS LINK**
- Selects MAIN or OTHER on WIRELESS PARTY LINK mode.
- Enable or disable WIRELESS PARTY LINK mode.
- 9** **MASTER VOL. (Volume) -/+**
Adjusts speaker volume.
- 10** **⏮ (Skip/Search)**
- Skips backward.
- Searches for a section within a track/file.
⏸ (Play/Pause)
Starts or pauses playback.
⏭ (Skip/Search)
- Skips forward.
- Searches for a section within a track/file.

- (Stop)
Stops playback or cancels DELETE function.
- (Open/Close)
Opens and closes the disc tray.

- 11** **DJ SCRATCH / SEARCH & MULTI**
- Turns clockwise or counterclockwise to make scratch sound.
- Searches a folder or a file
- 12** **SPECIAL EQ / BASS BLAST (or BASS BLAST+)**
- Chooses special equalizer.
- Press and hold to select BASS (or BASS+) effect directly.

SEARCH

Moves to folder or file in selection mode.

OK

Selects a folder when searching a file.

- 13** **PARTY STARTER**

- In power off state, this function turns on the unit with Party Kick Starter sound.
- In power on state, this function mixes the music with Party Kick Starter sound.

CLUB, DRUM, USER (DJ PAD)

Selects CLUB, DRUM or USER sound effect to mix.

(If you want to use USER, you have to register a source with "Music Flow Bluetooth" app.)

1, 2, 3 (DJ PAD)

Press a desired sound pad.

- 14** **DJ EFFECT**

Selects a desired DJ effect.

USER EQ

Selects the equalizer created by your own.

LIGHTING

Selects the lighting mode.

- 15** **DJ SCRATCH / LEVEL CONTROL**

- Turns clockwise or counterclockwise to make scratch sound.
- Turns clockwise or counterclockwise to control the USER EQ level.
- Adjust DJ EFFECT level.
- Selects the vocal effects.
- Selects the lighting effects.

- 16** **PARTY ACCELERATOR MODE**

Selects PARTY ACCELERATOR MODE.

DJ LOOP

Selects DJ LOOP mode.

(DJ LOOP mode can use during CD/USB playback.)

17 KEY CHANGER (♭ / #)

Changes the key to suit your vocal range.

VOICE CANCELLER

You can reduce the vocal tones during music playback from various input sources.

VOCAL EFFECTS

Selects VOCAL EFFECTS mode.

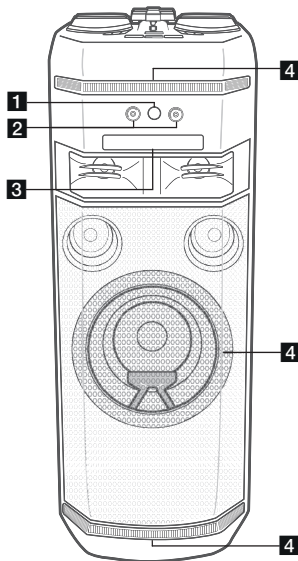
MIC ECHO

Selects ECHO mode.

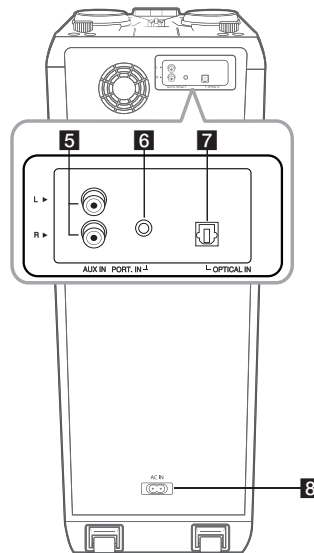
18 MIC VOL. (Microphone Volume) -/+

Adjust microphone volume.

Front panel / Rear panel



- 1** R (Remote sensor)
- 2** MIC (Microphone) 1/2 jack
- 3** Disc tray
- 4** Lighting



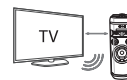
- 5** AUX IN (L/R) : Connect an auxiliary device.
- 6** PORT.(Portable) IN : Connect a portable device.
- 7** OPTICAL IN : Connect an optical device.
- 8** AC IN socket

Controller App



Download the **Music Flow Bluetooth** App to your device. (Android only)

LG Sound Sync



For more information, download the online owner's manual. <http://www.lg.com>

Additional Information

Specifications

Power Requirements	Refer to the main label on the unit.
Power Consumption	Refer to the main label on the unit.
	Networked standby : 0.5 W (If all network ports are activated.)
Dimensions (W x H x D)	Approx. 330.0 mm x 925.0 mm x 360.0 mm
Bus Power Supply (USB)	5 V 500 mA
Amplifier (Total RMS output power)	1,000 W RMS

Design and specifications are subject to change without notice.

Caution

- Connect the power cord to wall outlet directly if possible. Or when you use an extension cable, it is highly recommended to use an extension cable of 110 V / 15 A or 230 V / 15 A, otherwise the unit may not operate properly because of the lack of power supply.
- Do not overload the extension cord with excessive electrical load.

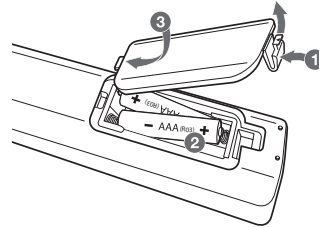
Note

- Do not look directly at the light emitting part when the LIGHTING is turned on.
- If the illumination brightness is glaring, switch on the room lights or turn off the LIGHTING of the unit.

How to disconnect the wireless network connection or the wireless device

Turn off the unit by pressing the power button for more than 5 seconds.

Replacement of battery



Declaration of Conformity



Hereby, LG Electronics declares that the radio equipment type MINI HI-FI AUDIO is in compliance with Directive 2014/53/EU. The full text of the EU declaration of conformity is available at the following internet address:

<http://www.lg.com/global/support/cedoc/cedoc#>

For consideration of the user, this device should be installed and operated with a minimum distance of 20 cm between the device and the body.

Frequency range	Output power (Max.)
2402 to 2480 MHz	10 dBm