

SIMPLE MANUAL

HIGH POWER SPEAKER SYSTEM

Please read this manual carefully before operating your set and retain it for future reference.

To view the instructions of advanced features, visit <http://www.lg.com> and then download Owner's Manual. Some of the content in this manual may differ from your unit.

MODEL

RNC7



MFL71984127

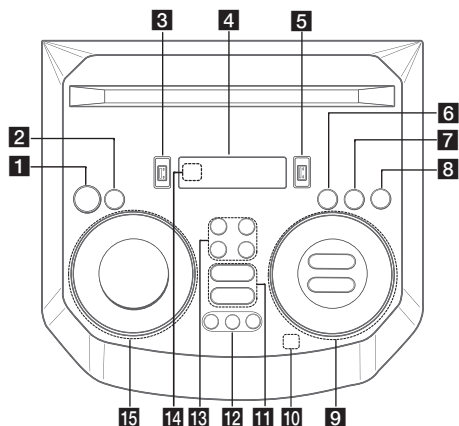
2301_Rev01

www.lg.com

Copyright © 2023-2024 LG Electronics Inc. All Rights Reserved.



Top panel



- 1** (Standby)
Turns the power on or off.
- 2** **USB REC / DEMO**
- Records to USB.
- Stops recording.
- In power off status, if you press **USB REC / DEMO**, show demo mode.
- 3** **USB 1 Port**
You can play sound files by connecting the USB device.
- 4** **Display window**
- 5** **USB 2 Port**
You can play sound files by connecting the USB device.
- 6** **F (Function)**
Selects the function and input source.
- 7** **LIGHTING**
Selects the lighting mode.
- 8** **@TWIN**
Connects two units for TWIN mode in WIRELESS PARTY LINK.
- 9** **⏮/⏭ (Skip/Search)**
- Skips backward or forward.
- Searches for a section within a file.
- Selects the radio stations.
⏸ (Play/Pause)
- Starts or pauses playback.
- Selects stereo/mono.
- **Bluetooth** connection lock (BT LOCK): Select the **Bluetooth** function by pressing **F** repeatedly. And long press **⏸** to limit **Bluetooth** connection to only BT and LG TV.

AUTO DJ

Selects the AUTO DJ mode.

VOL (Volume) -/+

Adjusts speaker volume.

MIC (Microphone) / GUITAR -/+

Adjusts Microphone volume or Guitar volume.

10 (Auto Music Play)

Plays the audio currently playing by tagging the mobile (with "LG XBOOM" App) to this unit. (Android Only)

11 **VOICE CANCELLER**

You can reduce the vocal tones during music playback from various input sources.

EQ

Chooses sound impressions.

12 **CLUB, DRUM, USER (DJ PAD)**

Selects CLUB, DRUM or USER sound effect to mix.

(If you want to use USER, you have to register a source with "LG XBOOM" app. (Android Only))

1, 2, 3 (DJ PAD)

Press a desired sound pad.

13 **MIC (Microphone) ECHO**

Selects ECHO mode.

VOCAL EFFECTS

Selects various vocal effects mode.

KEY CHANGER (b/#)

Changes the key to suit your vocal range.

14 **Remote sensor**

15 **SPECIAL EQ / BASS BLAST (or BASS BLAST+)**

- Chooses special equalizer.

- Press and hold to select BASS (or BASS+) effect directly.

SEARCH

Moves to folder or file in selection mode.

OK

Selects a folder when searching a file.

USER EQ

Selects the equalizer created by your own.

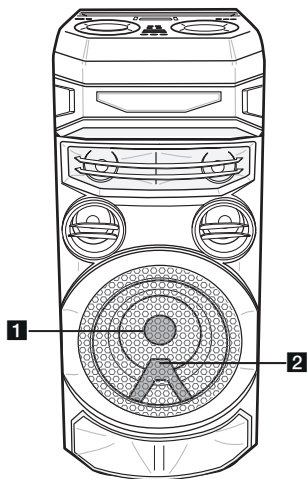
Multi jog

- Searches a folder or a file.

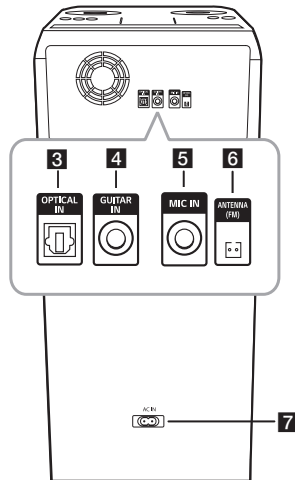
- Turns clockwise or counterclockwise to control the USER EQ level.

- Chooses special equalizer.

Front panel / Rear panel



- 1** Lighting
- 2** Remote sensor



- 3** OPTICAL IN: Connect an optical device.
- 4** GUITAR IN: Connect a guitar.
- 5** MIC (Microphone) IN: Connect a microphone.
- 6** ANTENNA (FM)
- 7** AC IN socket



Make sure to properly align and connect the optical cable; improper alignment may cause damage to the jack.

Controller App



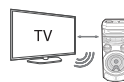
Android



iOS

Download the **LG XBOOM** App to your device.


LG Sound Sync



For more information, download the online owner's manual. <http://www.lg.com>

Additional Information

Specifications

Power Requirements	Refer to the main label on the unit.
Power Consumption	Refer to the main label on the unit.
Dimensions (W x H x D)	Approx. 330.0 mm x 785.0 mm x 344.0 mm
Bus Power Supply (USB)	5 V  500 mA

Design and specifications are subject to change without notice.

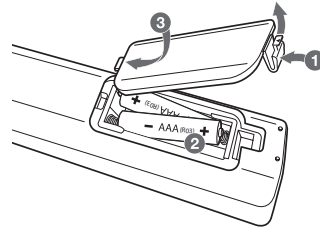
Caution

- Connect the power cord to wall outlet directly if possible. Or when you use an extension cable, it is highly recommended to use an extension cable of 110 V / 15 A or 230 V / 15 A, otherwise the unit may not operate properly because of the lack of power supply.
- Do not overload the extension cord with excessive electrical load.

Note

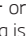
- Do not look directly at the light emitting part when the LIGHTING is turned on.
- If the illumination brightness is glaring, switch on the room lights or turn off the LIGHTING of the unit.

Replacement of battery



POWER: This unit operates on a mains supply of 200 - 240 V ~ 50 - 60 Hz.

Wiring: This unit is supplied with a BS 1363 approved main plug. When replacing the fuse, always use a fuse of the same rating and approved to BS 1362. Never use this plug with the fuse cover omitted. To obtain a replacement fuse cover contact your dealer. If the type of plug supplied is not suitable for the mains sockets in your home, then the plug should be removed and a suitable type fitted. Please refer to the wiring instructions below:

Warning: A mains plug removed from the mains lead of this unit must be destroyed. A mains plug with bared wires is hazardous if inserted in a mains socket. Do not connect either wire to the earth pin, marked with the letter E or with the earth symbol  or coloured green or green and yellow. If any other plug is fitted, use same rating of fuse in the plug.

Important: The wires in this mains lead are coloured in accordance with the following codes:

- **BLUE: NEUTRAL, BROWN: LIVE** - As the colours of the wires in the mains lead of this unit may not correspond with the coloured marking identifying the terminals in your plug, proceed as follows: The wire which is coloured blue must be connected to the terminal which is marked with the letter N or coloured black. The wire which is coloured brown must be connected to the terminal which is marked with the letter L or coloured red.



A series of ten horizontal dashed lines spanning the width of the page, providing a template for writing.

