

+ : Depending on model



www.lg.com

Unpacking

Check your product box for the following items. If there are any missing accessories, contact the local dealer where you purchased your product. The illustrations in this manual may differ from the actual product and item.

*Images may vary depending on models.

P/NO : MFL69446113(1601-REV00)



English

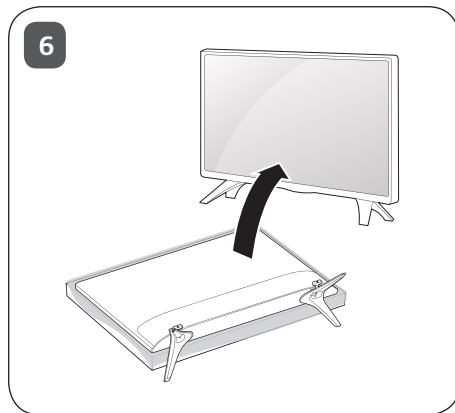
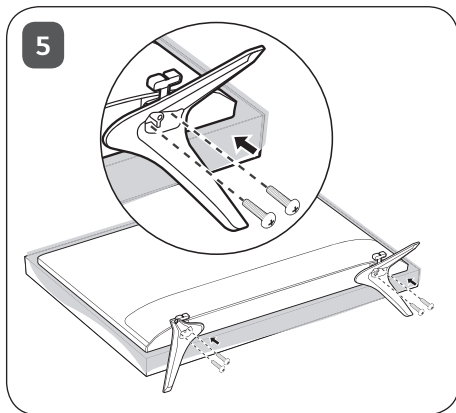
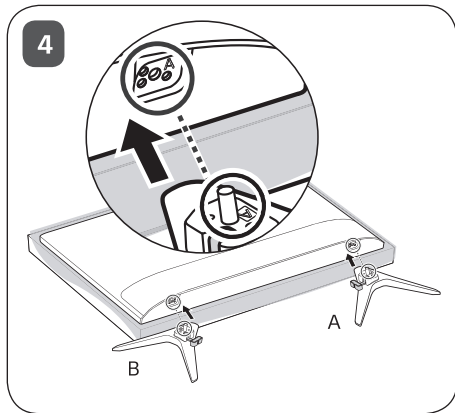
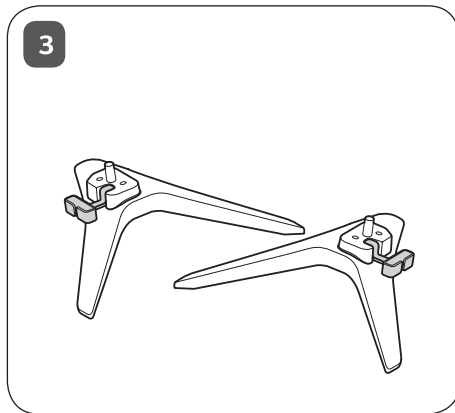
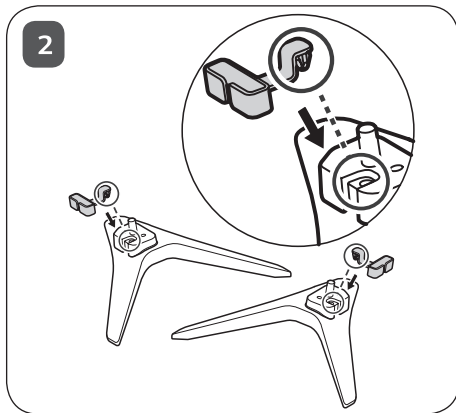
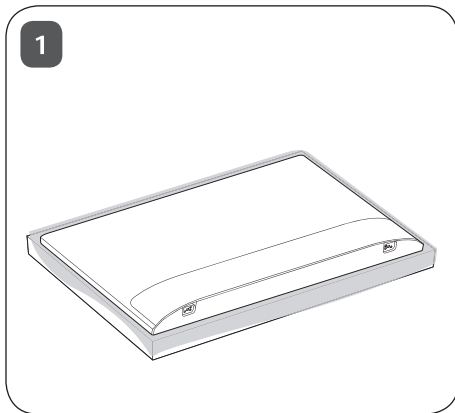
- Read **Safety and Reference**.
- For the power supply and power consumption, refer to the label attached to the product.

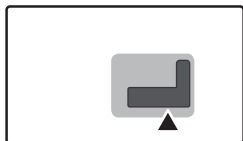


CAUTION

Image shown may differ from your TV

When attaching the stand to the TV set, place the screen facing down on a cushioned table or flat surface to protect the screen from scratches.

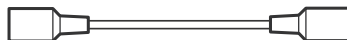




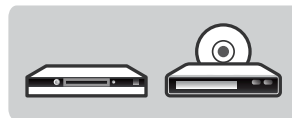
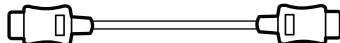
USB Connection

Connect a USB storage device such as a USB flash memory, external hard drive, or a USB memory card reader to the TV and access the Entertainment menu to use various multimedia files.

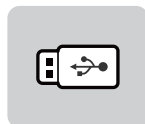
ANTENNA/
CABLE IN



HDMI IN



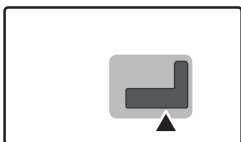
USB IN



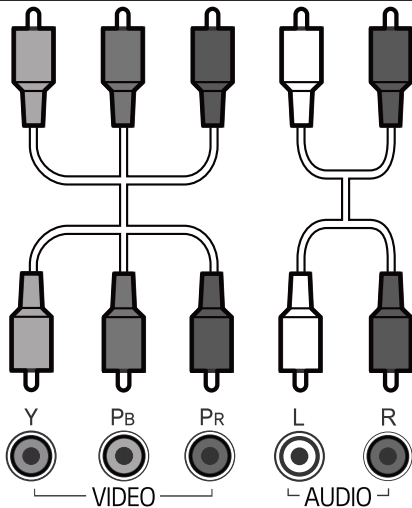
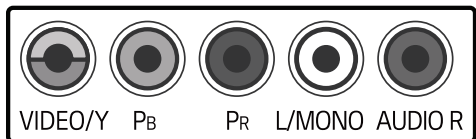
CAUTION

Image shown may vary depending on model.

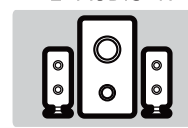
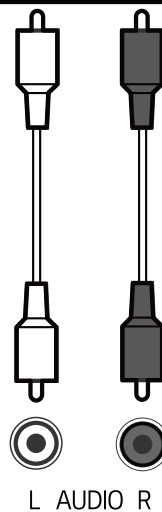
All connection cables & devices shown in the picture are not included along with the TV set.



COMPONENT IN



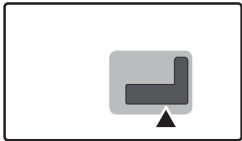
AUDIO OUT



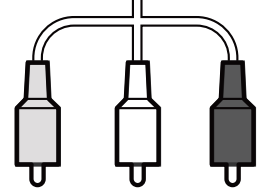
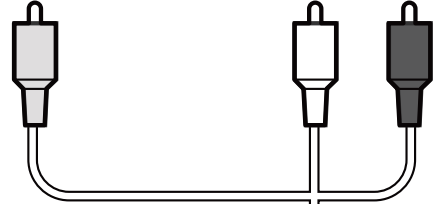
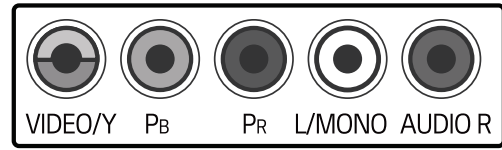
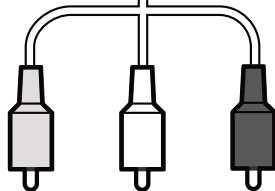
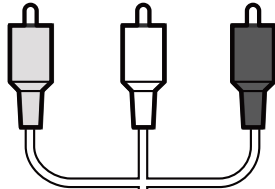
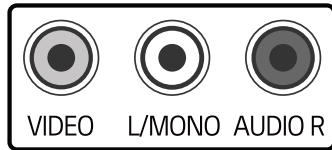
CAUTION

Image shown may vary depending on model.

All connection cables & devices shown in the picture are not included along with the TV set.



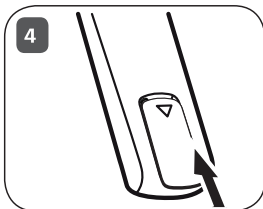
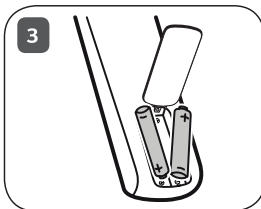
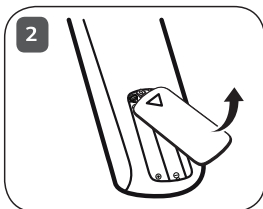
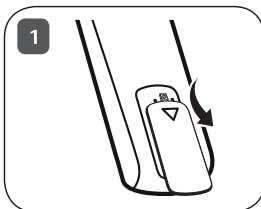
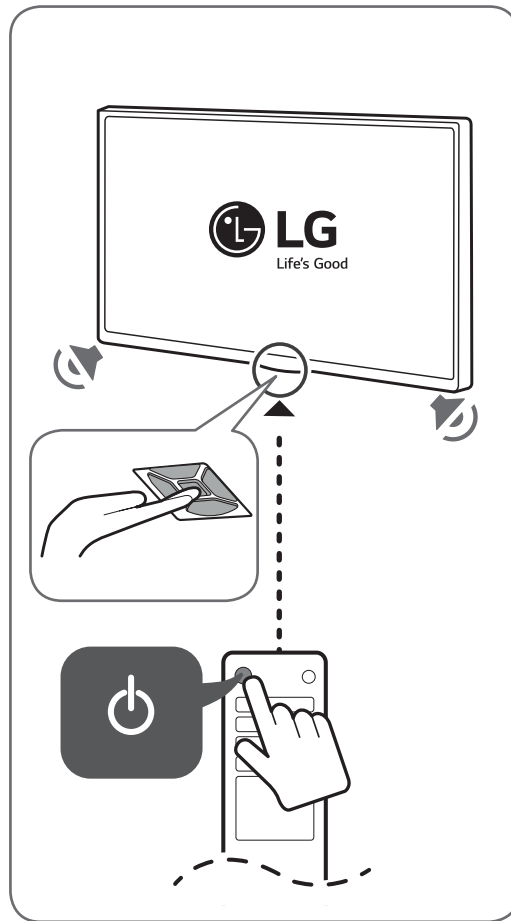
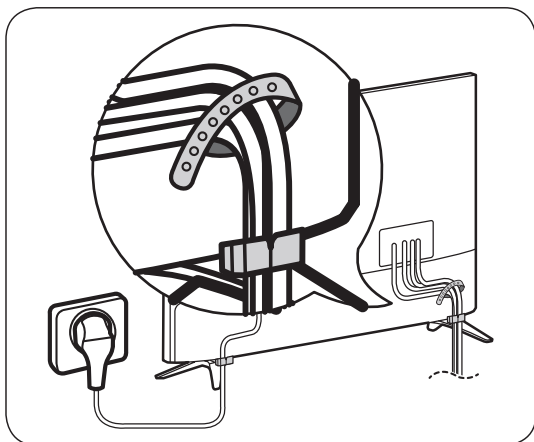
AV IN



CAUTION

Image shown may vary depending on model.

All connection cables & devices shown in the picture are not included along with the TV set.

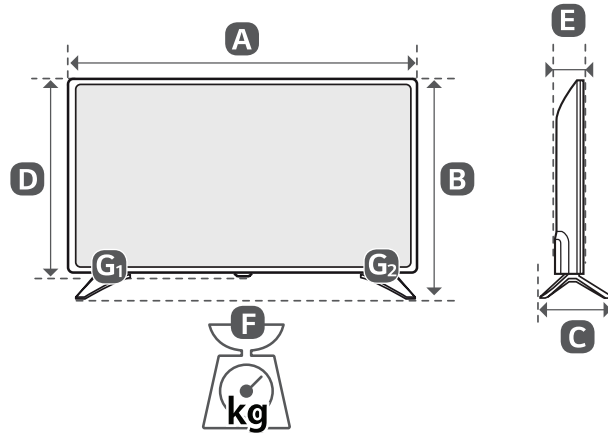


NOTE

Do not use sub standard batteries in TV remote which may lead to leakage & damage the remote control unit permanently. For long unused applications of remote controller it is advisable to remove batteries from remote control unit.



MF L69446113



	A (mm)	B (mm)	C (mm)	D (mm)	E (mm)	F (kg)	F - (G ₁ + G ₂) (kg)
32LH564A-TB 32LH561A-TC 32LH562A-TD	733	483	170	436	76.3	5.08	4.94
Power requirement					AC 100-240 V ~ 50 / 60 Hz		

*Images may vary depending on models.