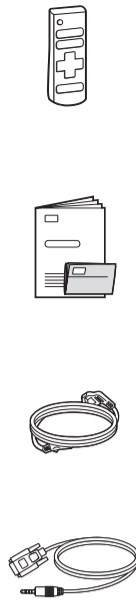




43UK767H\*  
 50UK767H\*  
 55UK767H\*  
 65UK767H\*  
 75UK767H\* 43UK767V\*

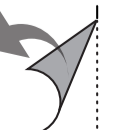
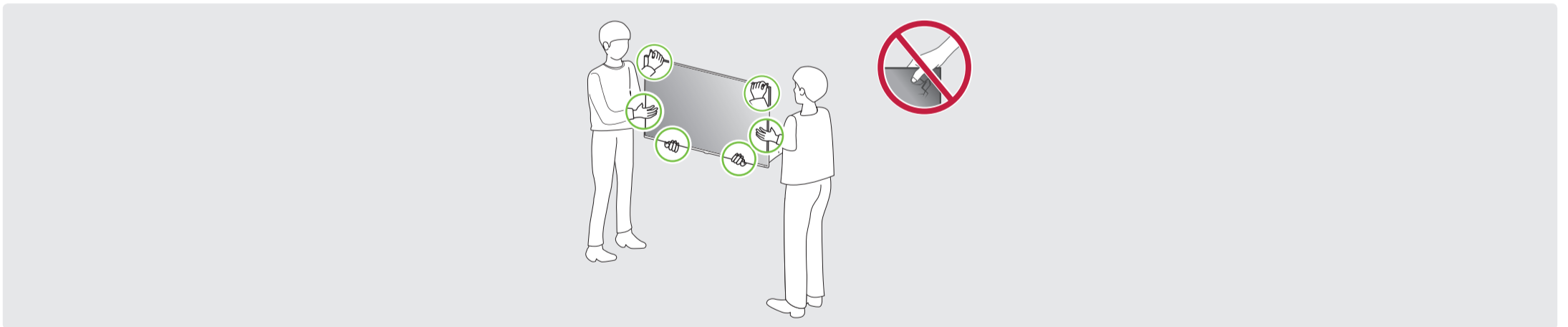
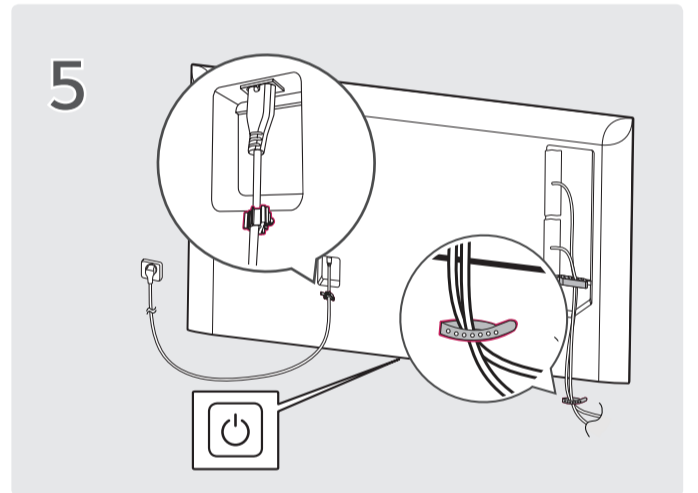
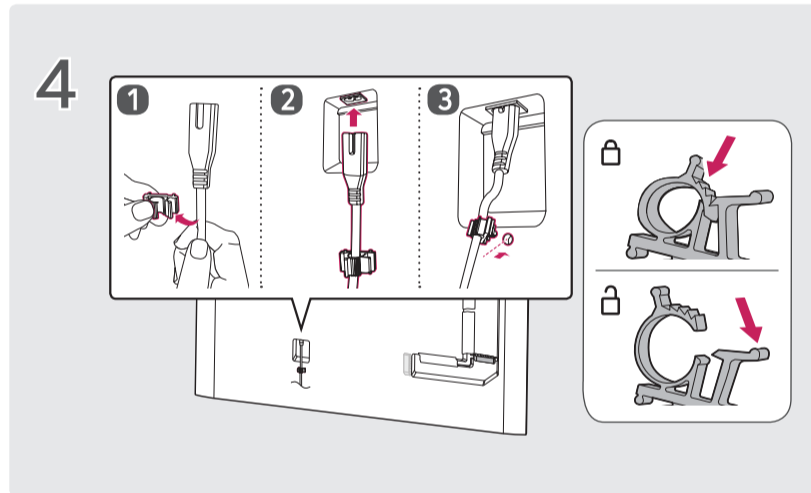
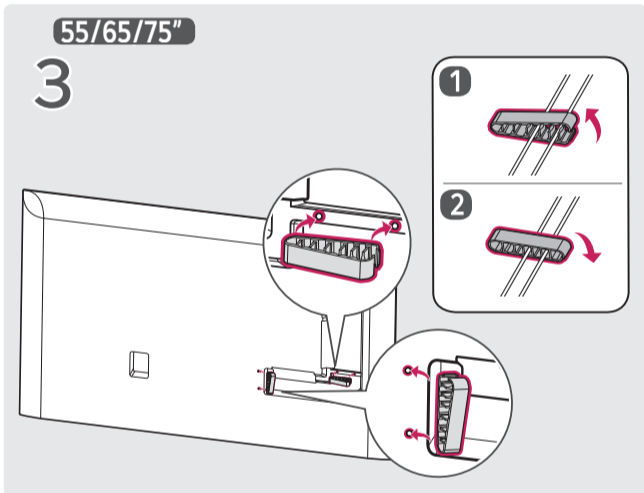
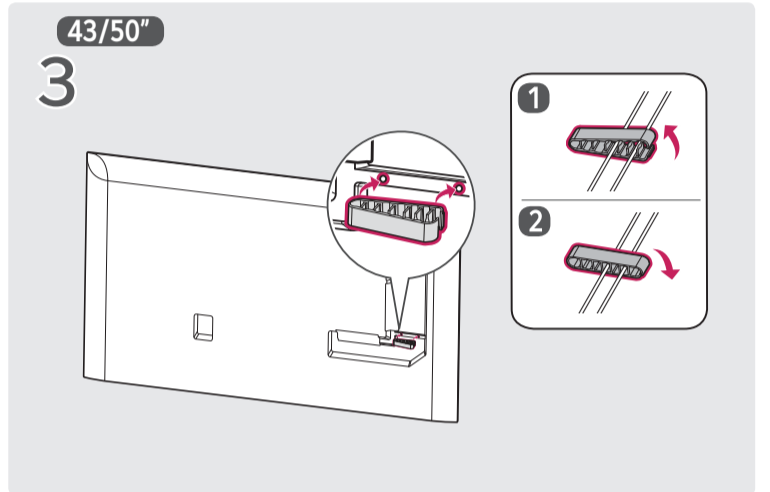
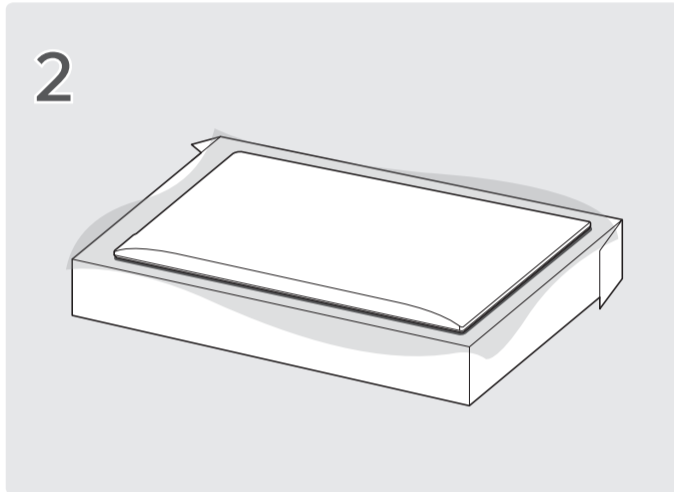
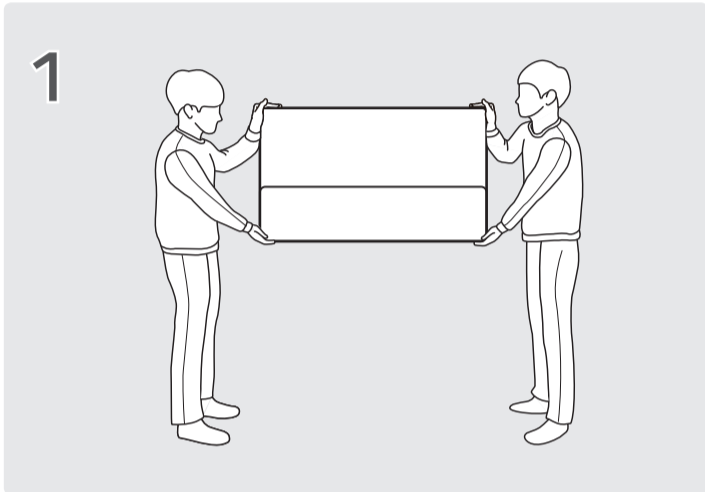


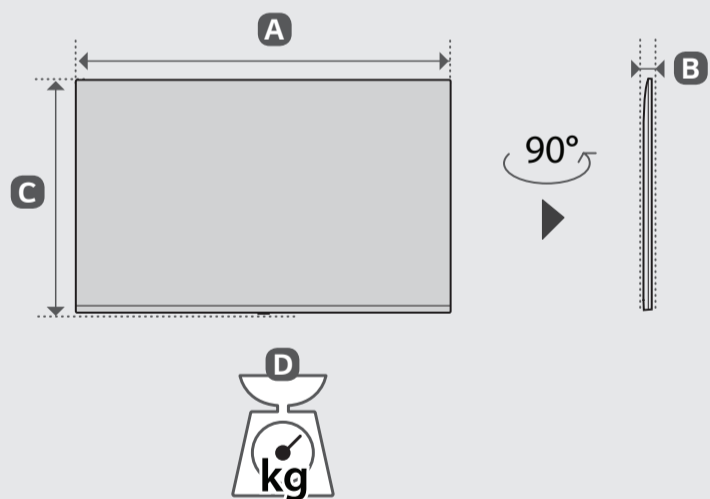
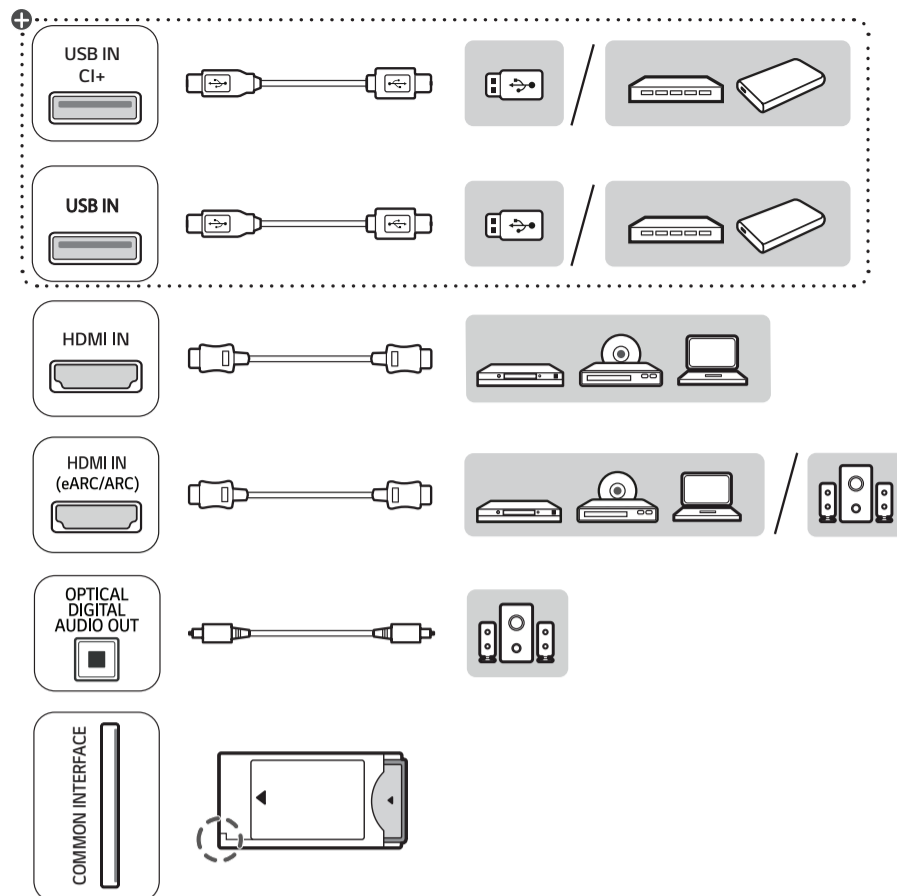
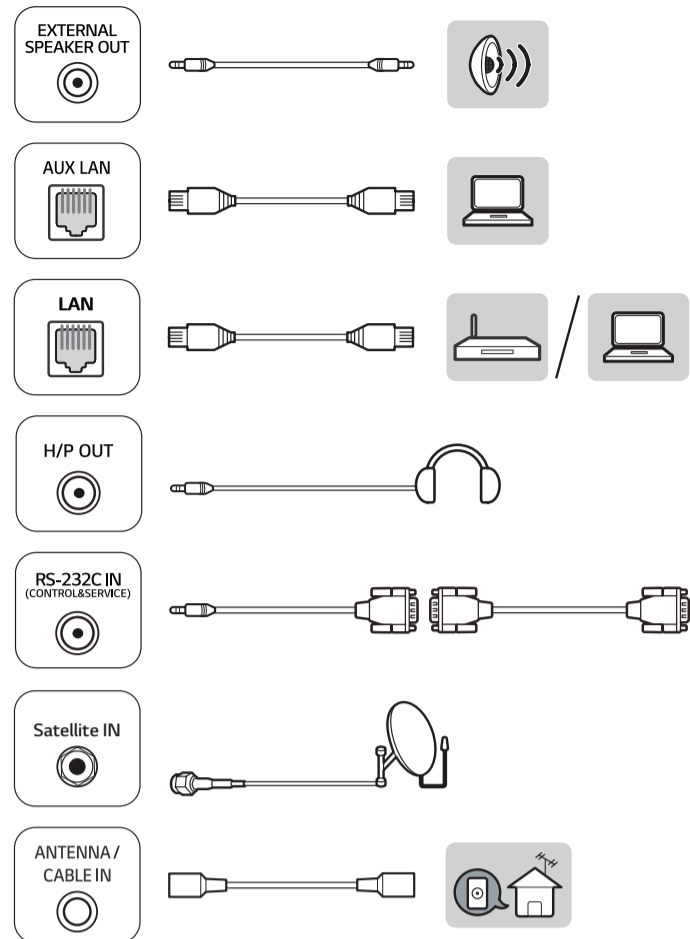
43/50"

x 1

55/65/75"

x 2





	<b>A</b>	<b>B</b>	<b>C</b>	<b>D</b>
	(mm)			(kg)
43UK767H0LB 43UK767V0LB	968	29.7	565	9.3
50UK767H0LB	1123	29.7	652	12.6
55UK767H0LB	1236	29.7	716	14.9
65UK767H0LB	1456	29.7	840	22.5
75UK767H0LB	1677	30.9	965	33.3
Power requirement			AC 100-240 V~ 50/60 Hz	