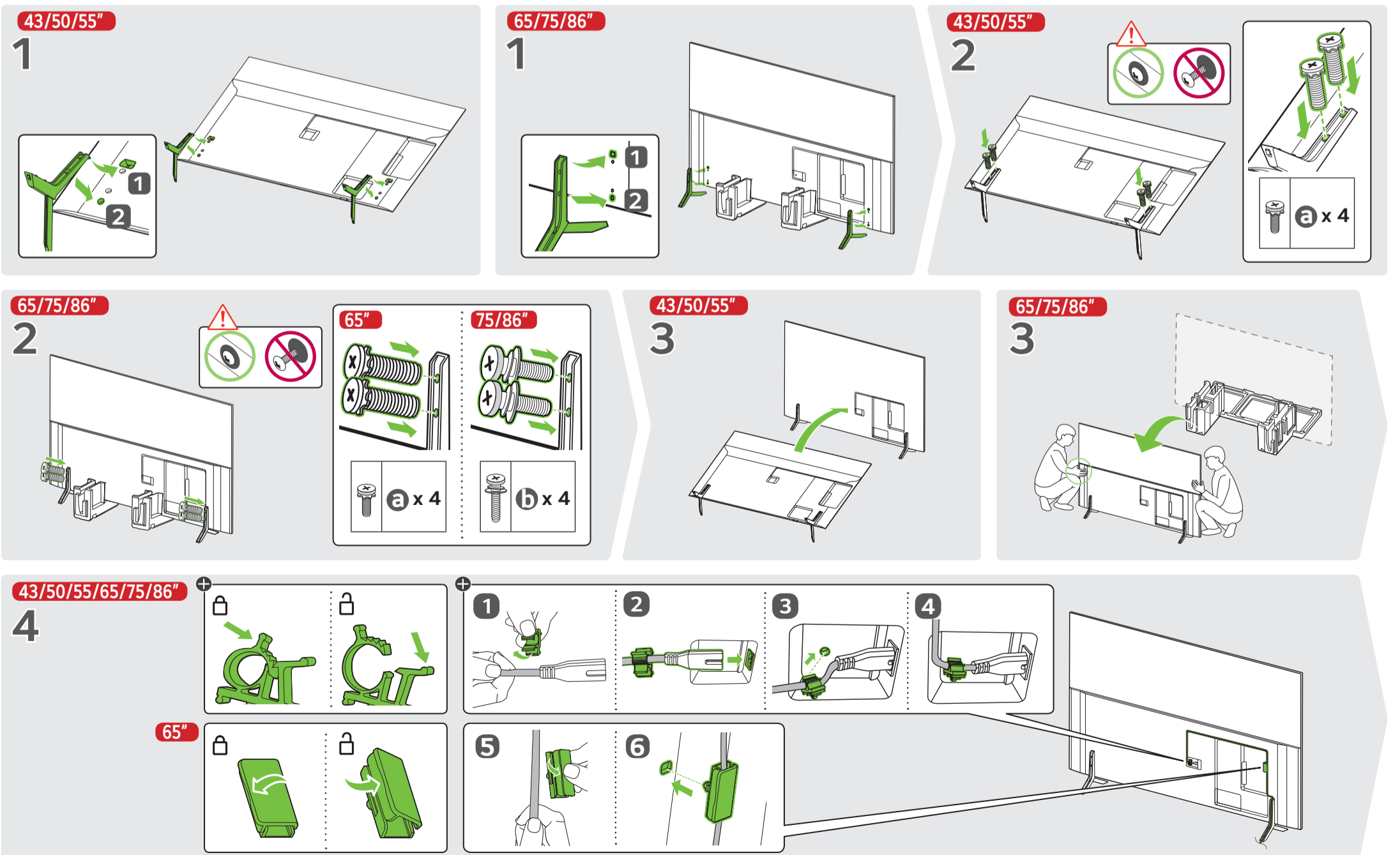
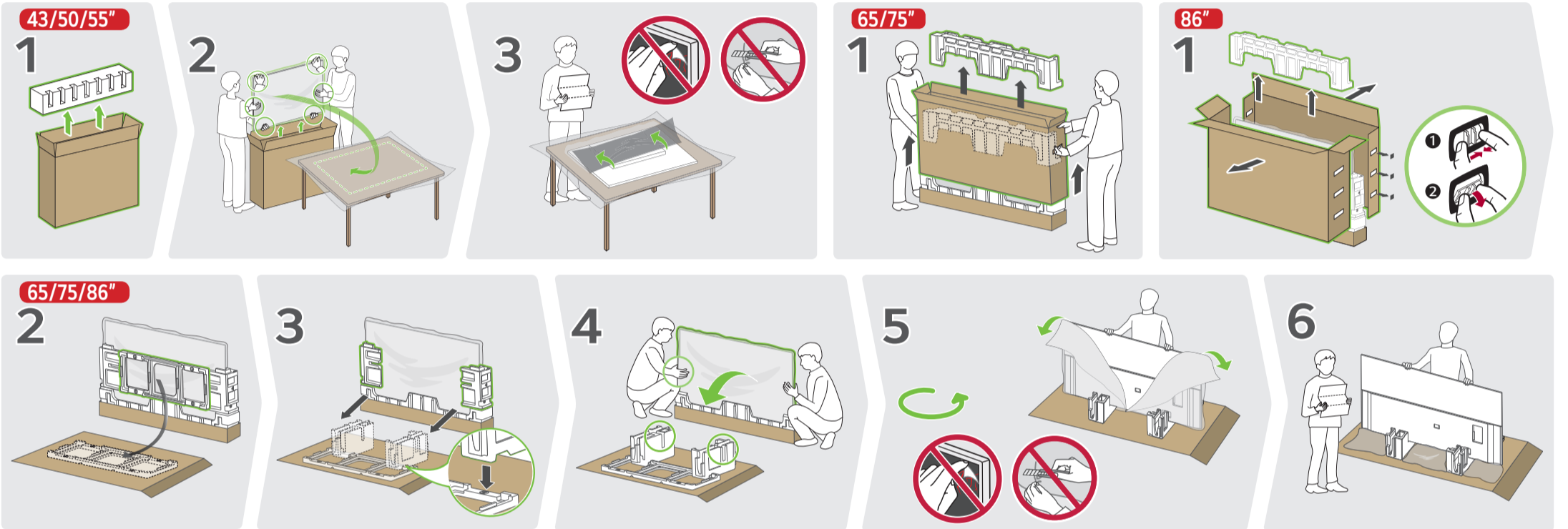
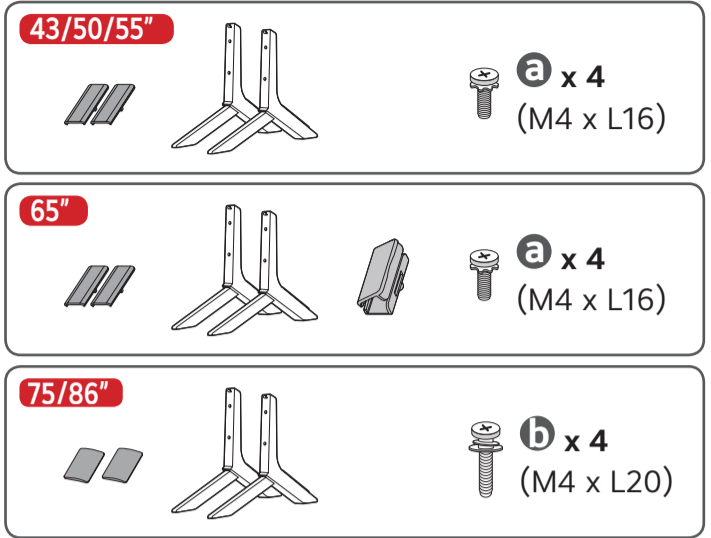
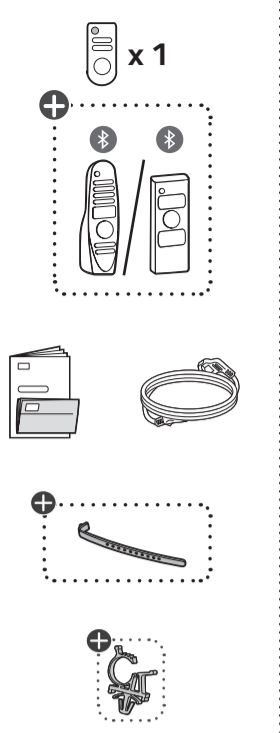


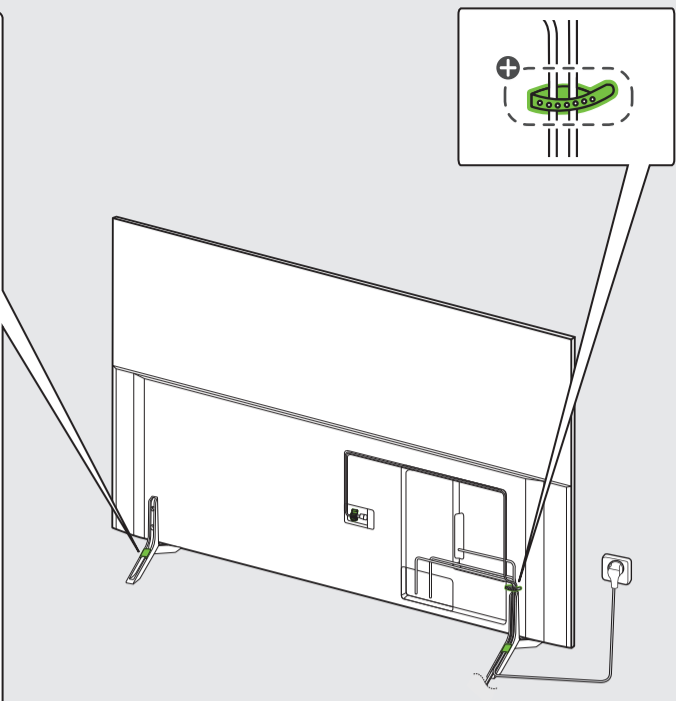
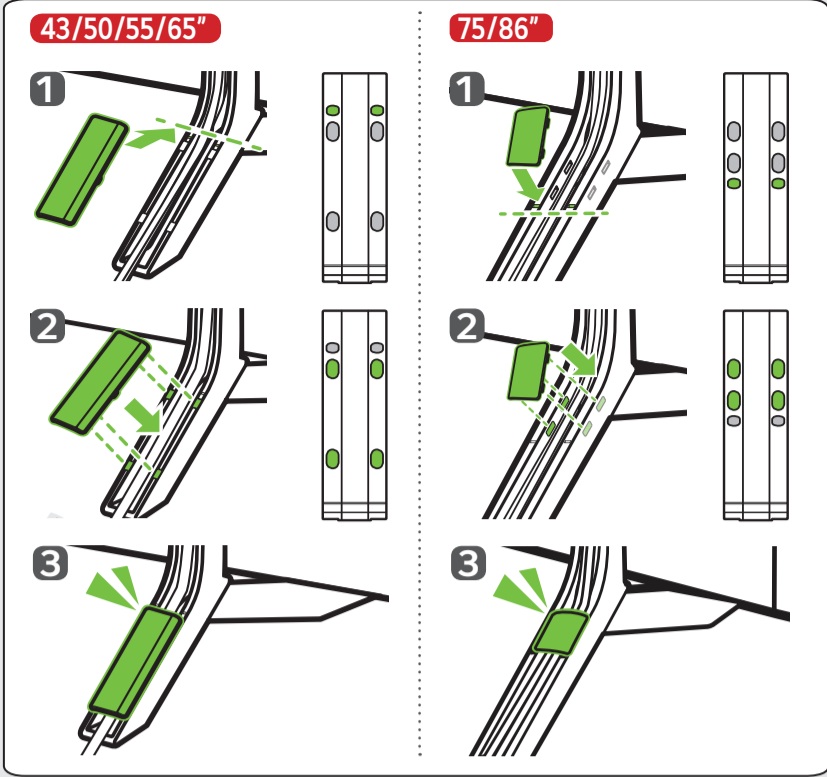
43QNE82A*
43QNE84A*
50QNE82A*
50QNE84A*

55QNE82A*
55QNE84A*

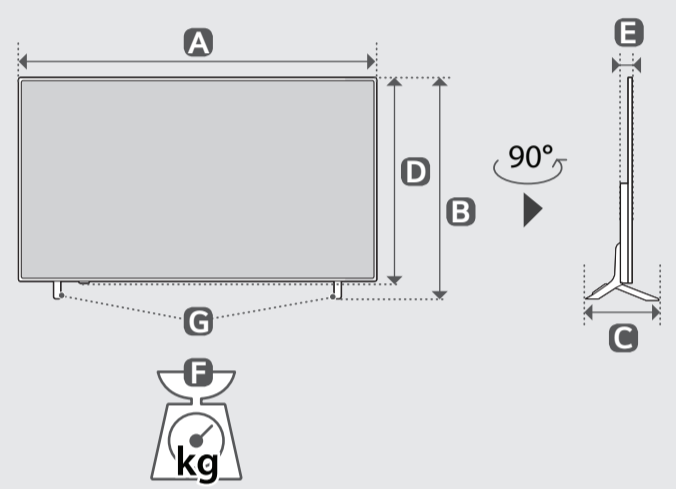
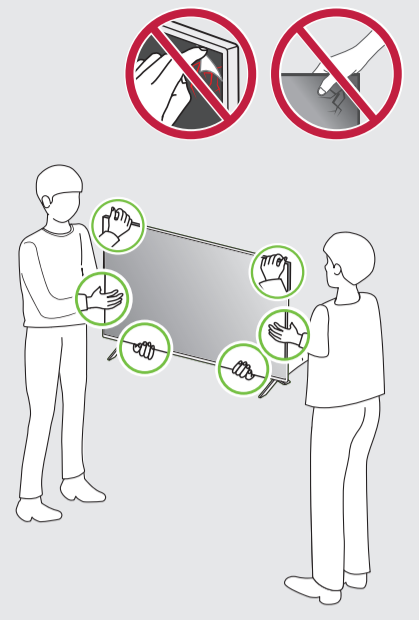
65QNE82A*
75QNE82A*
86QNE82A*



5



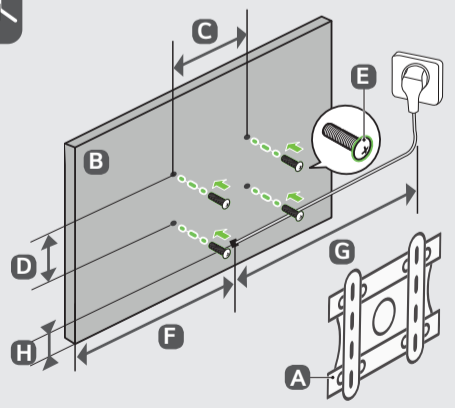
43/50/55/65/75/86"



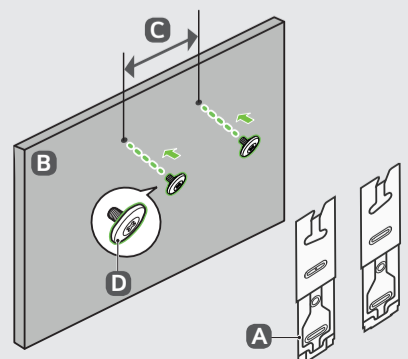
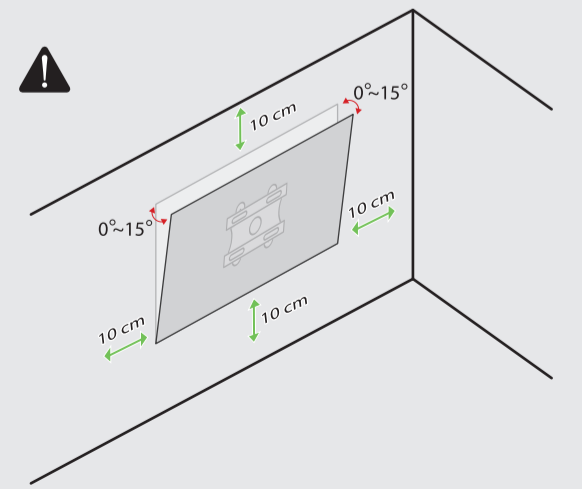
	A	B	C	D	E	F	F - G
	(mm)					(kg)	
43QNED82A* 43QNED84A*	969	634	257	567	49.9	9.8	9.4
50QNED82A* 50QNED84A*	1124	721	257	654	49.9	12.6	12.2
55QNED82A* 55QNED84A*	1237	784	257	717	49.9	16.1	15.7
65QNED82A*	1456	906	295	841	49.9	23.2	22.8
75QNED82A*	1677	1032	359	966	51.6	32.4	31.4
86QNED82A*	1929	1174	359	1108	51.9	46.5	45.5



- LAN: Ethernet cable and router.
- OPTICAL DIGITAL AUDIO: Optical cable and audio system.
- HDMI: HDMI cable and various devices (DVD, Blu-ray, laptop).
- USB: USB cable and external storage.
- ANT: Antenna cable and antenna.
- COMMON INTERFACE: Slot for a CI+ module.
- HDMI (eARC/ARC): HDMI cable and audio system.



	A	B	C × D (mm)	E	F (mm)	G (m)	H (mm)
LSW240B MSW240		43QNED82A*	200 x 200	M6	512	≥ 1.5	247
		43QNED84A*			588		247
		50QNED82A*			742		249
		50QNED84A*			851		249
OLW480B MSW240		300 x 200	M6	742	249		
				65QNED82A*	851	249	
				75QNED82A*	962	253	
WB24GDD		86QNED82A*	600 x 400	M8	1160		405



	A	B	C (mm)	D
WB21LMB		43QNED82A* 43QNED84A* 50QNED82A* 50QNED84A*	200	M6

* : 0~9, A~Z