

OWNER'S MANUAL

# AIR CONDITIONER

Please read this manual carefully before operating your set and retain it for future reference.

VENTILATOR  
Original instruction



MFL67870412  
Rev.00\_062821

Copyright © 2016 - 2021 LG Electronics Inc. All Rights Reserved.

[www.lg.com](http://www.lg.com)

ENGLISH

ITALIANO

ESPAÑOL

FRANÇAIS

DEUTSCH

ΕΛΛΗΝΙΚΑ

ČEŠTINA

NETERLANDS

POLSKI

IMBA ROMÂNĂ

# TABLE OF CONTENTS

## 3 SAFETY INSTRUCTIONS

---

## 7 PRIOR TO OPERATION

---

- 7 Preparing for operation
- 7 Usage
- 7 Cleaning and maintenance
- 7 Service

## 8 INTRODUCTION

---

- 8 Features

## 10 OPERATING INSTRUCTIONS (ACCESSORY)

---

- 10 Name and function of remote controller
- 11 Method to operate and select air volume – Interlinked operation with ventilation
- 12 Method to operate and select air volume – Ventilation single operation
- 13 Fast/energy saving ventilation mode

## 14 CHARACTERISTICS

---

- 14 Ventilation via total heat exchanger
- 14 Normal ventilation

## 15 MAINTENANCE AND SERVICE

---

- 15 Handling and cleaning
- 15 Method to take each part out
- 16 Method to clean and replace each part
- 17 Assembly and check after maintenance

## 18 CHECK ITEM PRIOR TO NOTIFY A FAILURE

---

## Safety instructions



To prevent injury to the user or other people and property damage, the following instructions must be followed.

Incorrect operation due to ignoring instruction will cause harm or damage. The seriousness is classified by the following indications.

**⚠ WARNING** This symbol indicates the possibility of death or serious injury.

**⚠ CAUTION** This symbol indicates the possibility of injury or damage.

Meanings of symbols used in this manual are as shown below.

	<b>Be sure not to do.</b>
	<b>Be sure to follow the instruction.</b>

**⚠ WARNING**

### Installation

- Do not use a defective or underrated circuit breaker. Use this appliance on a dedicated circuit.
  - There is risk of fire or electric shock.
- For electrical work, contact the dealer, seller, a qualified electrician, or an authorized service center.
  - Do not disassemble or repair the product. There is risk of fire or electric shock.
- Always ground the product.
  - There is risk of fire or electric shock.
- Install the panel and the cover of control box securely.
  - There is risk of fire or electric shock.
- Always install a dedicated circuit and breaker.
  - Improper wiring or installation may cause fire or electric shock
- Use the correctly rated breaker or fuse.
  - There is risk of fire or electric shock.
- Do not modify or extend the power cable.
  - There is risk of fire or electric shock.
- Do not install, remove, or re-install the unit by yourself (customer).
  - There is risk of fire, electric shock, explosion, or injury.

- Be cautious when unpacking and installing the product.
  - Sharp edges could cause injury. Be especially careful of the case edges and the fins on the condenser and evaporator.
- For installation, always contact the dealer or an authorized service center.
  - There is risk of fire, electric shock, explosion, or injury.
- Do not install the product on a defective installation stand.
  - It may cause injury, accident, or damage to the product.
- Do not let the ventilator run for a long time when the humidity is very high and a door or a window is left open.
  - Moisture may condense and wet or damage furniture.
- For re-installation of the installed product, always contact the dealer or an authorized service center.
  - There is risk of fire, electric shock, explosion or injury.
- Do not open the maintenance cover of the main body during operation.
  - Otherwise, it may cause electrical shock.
- Use the outdoor air suction hole with the net installed to ensure that birds could not come in.
  - Remove estrange things like the bird's nest. Otherwise, it may cause scarcity of indoor oxygen.
- Install the air intake where polluted air can not be directly sucked in.
  - It may cause various accidents, including suffocation, due to the suction of harmful gasses(CO, etc.)
- Install the product a place that can support its weight.
  - Otherwise, it may cause accident due to falling of the product.
- Precautions must be taken to avoid the back-flow of gases into the room from the open flue of gas or other fuel-burning appliances

## **Operation**

- Take care to ensure that power cable could not be pulled out or damaged during operation.
  - There is risk of fire or electric shock.
- Do not place anything on the power cable.
  - There is risk of fire or electric shock.
- Do not touch(operate) the product with wet hands.
  - There is risk of fire or electrical shock.

- Do not place a heater or other appliances near the power cable.
  - There is risk of fire and electric shock.
- Do not allow water to run into electric parts.
  - It may cause There is risk of fire, failure of the product, or electric shock.
- Do not store or use flammable gas or combustibles near the product.
  - There is risk of fire or failure of product.
- When flammable gas leaks, turn off the gas and open a window for ventilation before turn the product on.
  - Do not use the telephone or turn switches on or off. There is risk of explosion or fire
- If strange sounds, or smell or smoke comes from product. Turn the breaker off
  - There is risk of electric shock or fire.
- Stop operation and close the window in storm or hurricane. If possible, remove the product from the window before the hurricane arrives.
  - There is risk of property damage, failure of product, or electric shock.
- When the product is soaked (flooded or submerged), contact an authorized service center.
  - There is risk of fire or electric shock.
- Be cautious that water could not enter the product.
  - There is risk of fire, electric shock, or product damage.
- Turn the breaker off when cleaning or maintaining the product.
  - There is risk of electric shock.
- Don't touch a dedicated circuit or breaker with wet hands.
  - There is risk of electric shock.
- Use a firm stool or ladder when cleaning or maintaining the roduct.
  - Be careful and avoid personal injury.

---

---

 **CAUTION**

---

---

### Installation

- Use two or more people to lift and transport the product.
  - Avoid personal injury.
- Do not install the product where it will be exposed to sea wind (salt spray) directly.
  - It may cause corrosion on the product. Corrosion, particularly on the condenser and evaporator fins, could cause product malfunction or inefficient operation.

- If anyone other than a licensed Professional installs, repairs, or alters LG Electronics Air Conditioning Products, the warranty is voided.
  - All costs associated with repair are then the full responsibility of the owner.
- Do not install the unit in potentially explosive atmospheres.

## **Operation**

- Do not expose the skin directly to cool air for long periods of time. (Don't sit in the draft.)
  - This could harm to your health.
- Do not use the product for special purposes, such as preserving foods, works of art, etc. It is a consumer ventilator, not a precision refrigeration system.
  - There is risk of damage or loss of property.
- Use a soft cloth to clean. Do not use harsh detergents, solvents, etc.
  - There is risk of fire, electric shock, or damage to the plastic parts of the product.
- Do not step on or put anything on the product. (outdoor units)
  - There is risk of personal injury and failure of product.
- Use a firm stool or ladder when cleaning or maintaining the product.
  - Be careful and avoid personal injury.
- This appliance is not intended for use by persons (including children) with reduced physical, sensory or mental capabilities, or lack of experience and knowledge, unless they have been given supervision or instruction concerning use of the appliance by a person responsible for their safety. Children should be supervised to ensure that they do not play with the appliance.
- This appliance can be used by children aged from 8 years and above and persons with reduced physical, sensory or mental capabilities or lack of experience and knowledge if they have been given supervision or instruction concerning use of the appliance in a safe way and understand the hazards involved. Children shall not play with the appliance. Cleaning and user maintenance shall not be made by children without supervision.

## Prior to operation

### *Preparing for operation*

Contact an installation specialist for installation.  
Use a dedicated circuit.

### *Usage*

Being exposed to direct airflow for an extended period of time could be hazardous to your health. Do not expose occupants, pets, or plants to direct airflow for extended periods of time.

Due to the possibility of oxygen deficiency, ventilate the room when used together with stoves or other heating devices.

Do not use this ventilator for non-specified special purposes (e.g. preserving precision devices, food, pets, plants, and art objects). Such usage could damage the items.

### *Cleaning and maintenance*

Do not touch the metal parts of the unit when removing the filter. Injuries can occur when handling sharp metal edges.

Do not use water to clean inside the ventilator. Exposure to water can destroy the insulation, leading to possible electric shock.

When cleaning the unit, first make sure that the power and breaker are turned off. The fan rotates at a very high speed during operation. There is a possibility of injury if the unit's power is accidentally triggered on while cleaning inner parts of the unit.

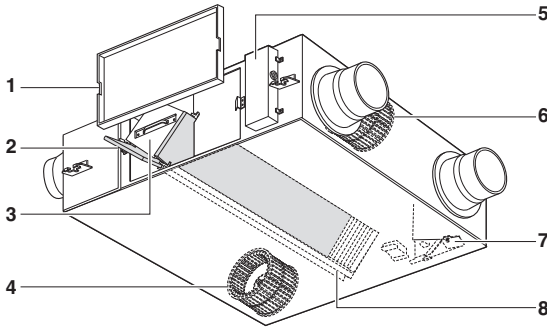
### *Service*

For repair and maintenance, contact your authorized service dealer.

# Introduction

## Features

• 250 / 350 / 500 CMH



**1. Maintenance cover**

**2. Air filter**

It prevents dust from clogging in total heat exchanger.

**3. Total heat exchanger**

It changes temperature and humidity between supplying air and exhausted air.

**4. Blower for exhaust air**

It is a fan for discharging the contaminated air to outdoor.

**5. Control box**

**6. Blower for supply air**

It is a fan for inhaling exterior air into an indoor space.

**7. Damper plate(Board)**

It converts exchanging mode between total heat ventilation and general ventilation.

**8. Total heat exchanger holder**

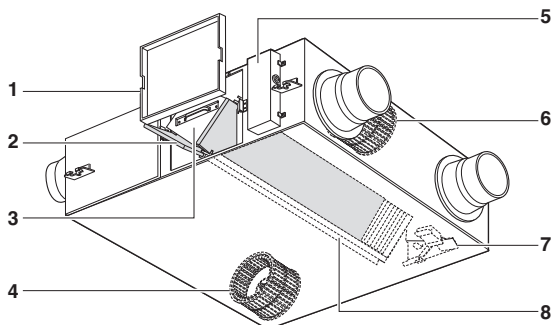
It is used in guiding for the installation of total heat exchanger.

※ The figure of total heat exchanger can be different by the product model.

※ HEPA filter is an optional product exclusive for the ventilation system that is sold separately.



## • 800 / 1 000 CMH



### 1. Maintenance cover

### 2. Air filter

It prevents dust from clogging in total heat exchanger.

### 3. Total heat exchanger

It changes temperature and humidity between supplying air and exhausted air.

### 4. Blower for exhaust air

It is a fan for discharging the contaminated air to outdoor.

### 5. Control box

### 6. Blower for supply air

It is a fan for inhaling exterior air into an indoor space.

### 7. Damper plate(Board)

It converts exchanging mode between total heat ventilation and general ventilation.

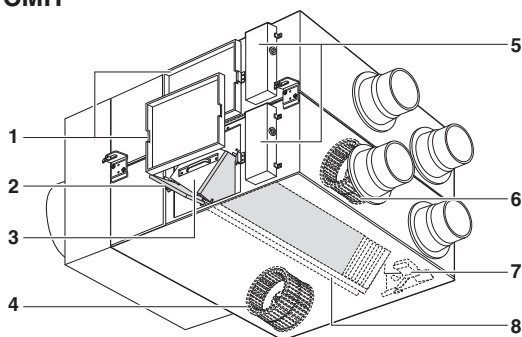
### 8. Total heat exchanger holder

It is used in guiding for the installation of total heat exchanger.

※ The form of total heat exchanger varies according to models.

※ HEPA filter is an optional product exclusive for the ventilation system that is sold separately.

## • 1 500 / 2 000 CMH



### 1. Maintenance cover

### 2. Air filter

It prevents dust from clogging in total heat exchanger.

### 3. Total heat exchanger

It changes temperature and humidity between supplying air and exhausted air.

### 4. Blower for exhaust air

It is a fan for discharging the contaminated air to outdoor.

### 5. Control box

### 6. Blower for supply air

It is a fan for inhaling exterior air into an indoor space.

### 7. Damper plate(board)

It converts exchanging mode between total heat ventilation and general ventilation.

### 8. Total heat exchanger holder

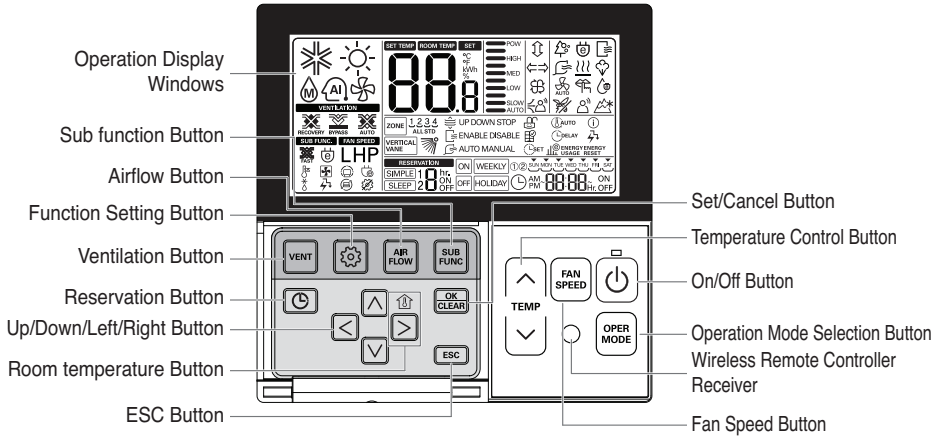
It is used in guiding for the installation of total heat exchanger.

※ The form of total heat exchanger varies according to models.

※ HEPA filter is an optional product exclusive for the ventilation system that is sold separately.

# Operating instructions (Accessory)

## Name and function of remote controller



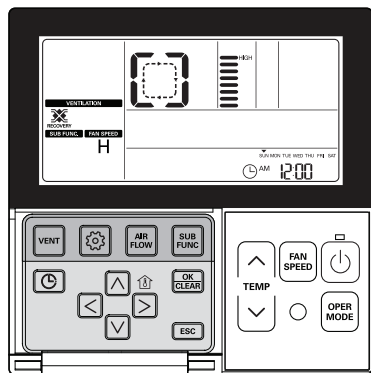
- Operation Display Windows** : Displays the status of operation and settings
- Ventilation Button** : For interlocking operations of air-conditioner and ventilator
- Function Setting Button** : To select the additional operations function
- Airflow Button** : To select the airflows
- Sub function Button** : To select the additional operations function
- Reservation Button** : To program the schedule
- Up/Down/Left/Right Button** : To change the settings in the menu
- Room temperature Button** : To check the indoor temperature
- ESC Button** : To exit from the menu
- Set/Cancel Button** : To save the settings in the menu
- Temperature Control Button** : To change the desired temperature
- Fan Speed Button** : To select the fan speed
- On/Off Button** : To turn on/off with a remote controller
- Mode Selection Button** : To select the operating mode
- Wireless Remote Controller Receiver**

\* Some functions may not be operated and displayed depending on the product type.  
 \* It will display strange value to the room temperature if wired remote controller is not connected.

## Method to operate and select air volume – Interlinked operation with ventilation

It is used when air conditioner is interlinked with ventilation product.


It is a function that cools and refreshes indoor air using the ventilation product at the same time operating the air conditioning function.



### Ventilation interlinked operation


- 1** Press **VENT** button on the remote controller control panel.

- It is only used when air conditioner and general ventilation is interlinked.


- 2** Pressing 'Start/Stop' button at ventilation mode will start ventilation.
- 3** Pressing **OPER MODE** button will change the ventilation operation mode.


Pressing operation selection button will change the mode in the order of 'heat exchange → normal → automatic'

※ It only displays on the remote controller display when it is in ventilation mode, and it displays the desired temperature when it returns to air condition mode.


- 4** Pressing **FAN SPEED** button in general ventilation mode will change airflow speed.

Pressing airflow speed button will change the mode in the order of 'low → high → power'.

If CO<sub>2</sub> sensor is installed, it can select from 'low → high → power → auto'.

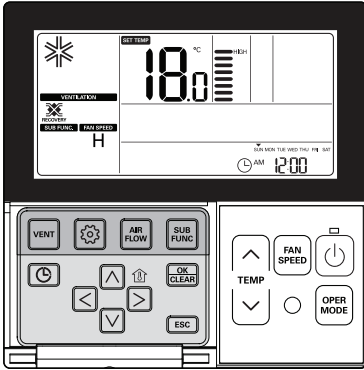

- 5** Changing back to air conditioner mode

  - 1) Automatic conversion : when no button is pressed for 15 seconds or longer, it automatically converts back to air conditioner mode.
  - 2) Manual conversion : pressing **VENT** button in ventilation mode will manually convert.





## Fast/energy saving ventilation mode

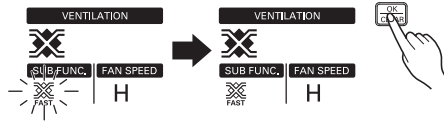
It is a function to operate ventilation function more efficiently through the ventilation additional functions, fast / power saving settings.




### Fast : ventilates fast


- 1 Press **SUB FUNC** button in ventilation mode. - It converts in the order of 'fast' → 'power saving' in ventilation mode. 


- 2 'Fast' is blinking on the display, and pressing **OK CLEAR** button will stabilize 'fast' icon, and the function is set. 

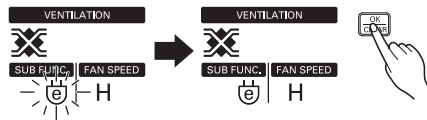



- 3 Pressing **ESC** button will exit the settings. 

### Power saving : efficiently ventilates and performs power savings.

- 1 Press **SUB FUNC** button in ventilation mode. - It converts in the order of 'fast' → 'power saving' in ventilation mode. 

- 2 'Power saving' is blinking on the display, and pressing **OK CLEAR** button will stabilize 'power saving' icon, and the function is set. 



- 3 Pressing **ESC** button will exit the settings. 

\* General ventilation and direct expansion ventilation have the same additional functions.

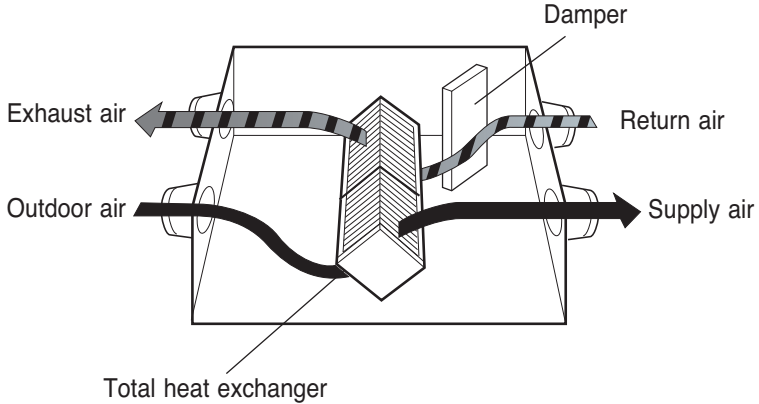
\* Ventilation/heater/humidifier additional function settings are the same as air conditioner.

# Characteristics

## Ventilation via total heat exchanger

Exhausts indoor air via the total heat exchanger outdoor.

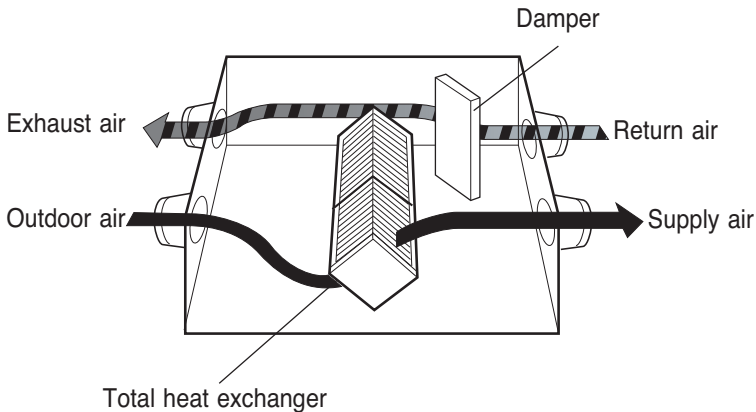
- The outdoor air heat exchanged is supplied to indoor. Operate the ventilator in the **ventilation via total heat exchanger** in summer/winter when cool/heat operation is done.



## Normal ventilation

Exhausts the polluted indoor-air directly without via the total heat exchanger.

- Operate the ventilator in the **normal ventilation** in spring/autumn when the total heat exchanger is not required.



### **⚠ CAUTION**

In case of high outdoor pollution degree like yellow sand please pause the ventilator.

# Maintenance and service

## Handling and cleaning

To prevent function of the ventilator deteriorating, clean dust adhered to the air filter and total heat exchanger regularly.

### Cleaning cycle

- Air filter: More than once every 6 months.
- Total heat exchanger: More than once every 2 years (Cleaning cycle may increase according to pollution degree.)

## Method to take each part out

### ⚠ CAUTION

Take care to ensure that you could not damage when taking the air filter out since there is a sharp part on it.

### ⚠ WARNING

Turn the breaker off when cleaning the product.

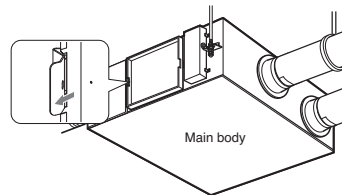
### ⚠ CAUTION

Gloves should be worn when doing the maintenance work.

## • 250 / 350 / 500 / 800 / 1 000 CMH

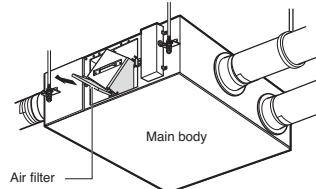
### 1. Remove the maintenance cover.

Loosen a screw on the maintenance cover.  
Put the hands inside of the ceiling from the maintenance cover, and pull the maintenance cover up.  
(Looser the hinge and detach the maintenance cover.)



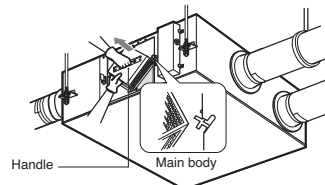
### 2. Take the air filter out.

Take the air filter with each contained to the left/right downside of the total heat exchanger.  
\* If it adheres to the ceiling in reverse, it is equal to the left/right topside of the total heat exchanger.



### 3. Take the total heat exchanger out.

Catch the handle and then take the total heat exchanger out from the main body. (2 units)



• 1 500 / 2 000 CMH

**1. Remove the maintenance cover.**

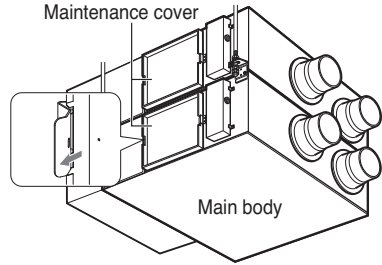
Loosen a screw on the maintenance cover.

Put the hands inside of the ceiling from the maintenance cover, and pull the maintenance cover up. (Looser the hinge and detach the maintenance cover.)

**2. Take the air filter out.**

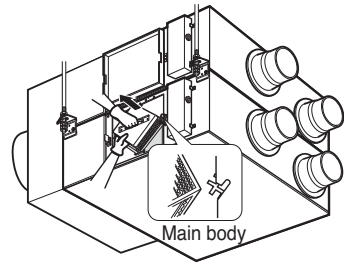
Take the air filter with each contained to the left/right downside of the total heat exchanger.

✱ If it adheres to the ceiling in reverse, it is equal to the left/right topside of the total heat exchanger.



**3. Take the total heat exchanger out.**

Catch the handle and then take the total heat exchanger out from the main body. (4 units)

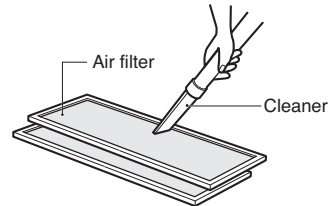


**Method to clean and replace each part**

**1. Cleaning of air filter**

Clean once every 6 months.

- Clean dirt from the air filter using a vacuum cleaner or washing with water. (If dirt is conspicuous, wash with a neutral detergent in lukewarm water)
- After washing with water, dry well in the shade. (Do not expose the air filter to direct sunlight or heat from a fire when drying it)
- If the air filter is damaged, purchase it from the service center or professional agent.

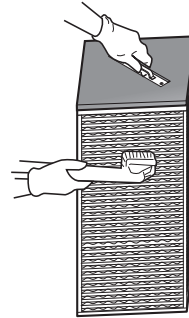




## 2. Cleaning of total heat exchanger

Suck dusts adhered to the surface of the total heat exchanger with a cleaner.

- Use the cleaner that attached to brush at its nozzle, and use a soft brush.
- Do not use a hard nozzle on the cleaner. (Otherwise, surface of the total heat exchanger may be damaged.)
- Never wash the total heat exchanger with water.
- Replacement expenses are for a consideration after 2 years from the purchasing date.
- Expenses are for a consideration when you will contact the service center even within 2 years from the purchasing date.
- For service, always contact the dealer or an authorized service center.



Air filter



Total heat exchanger

## Assembly and check after maintenance

### ⚠ WARNING

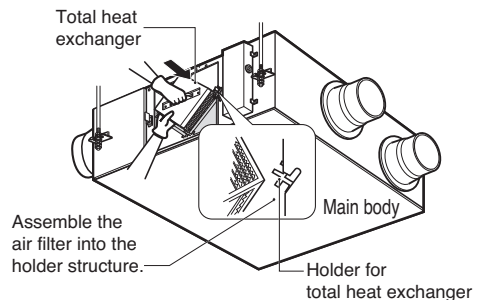
Turn the breaker off when cleaning the product.

### ⚠ CAUTION

Gloves should be worn when doing the maintenance work.

### 1. Assembly of total heat exchanger

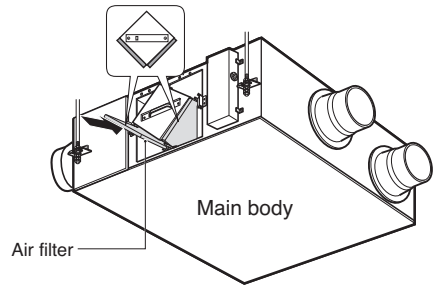
Securely put the corner parts (4 parts) of the total heat exchanger into the holder for assembly and slide them into the inside of the main body.



## 2. Assembly of air filter

Assemble the air filter into the holder structure of the total heat exchanger.

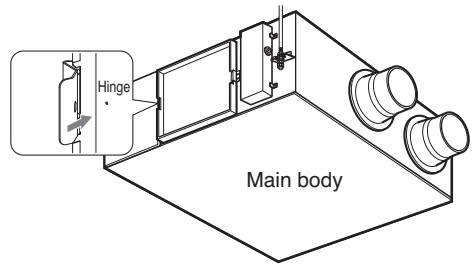
- Take care to ensure that surface of the total heat exchanger could not be damaged.
- Dusts adhered to the total heat exchanger may cause deterioration of air volume.



## 3. Assembly of maintenance cover

Fix the cover to the right hinge and fix it to the left side. (A nameplate is adhered toward the reading direction).

Tighten a screw on the maintenance cover.



# Check item prior to notify a failure

Symptom	Check Item	Counter-measure
The Product doesn't work	Is power not supplied?	Supply Power
The Product doesn't work through you press the 'ON' switch	Is the Indoor temperature less than 15 °C or more than 40 °C?	It's standby mode for protecting Total Heat Exchanger.
Even though you change the fan speed, the operation mode doesn't change and it changes to 'Auto or Low'	Is the Indoor temperature less than -10 °C or more than 45 °C?	It's operation mode to protect Total Heat Exchanger.
Even though you push the button of remote controller, any function doesn't work.	Is the icon "🔒" displaying on remote controller?	It's Child Lock mode. Refer to Remote controller.
	Is the icon "📺" displaying on remote controller? Does the message "HL" display on remote controller when you push the button.	It's centralized control mode. You can't control on remote controller.



LG Electronics Inc. Single Point of Contact (EU/UK) & EU Importer :  
LG Electronics European Shared Service Center B.V.  
Krijgsman 1, 1186 DM Amstelveen, The Netherlands

Manufacturer :  
LG Electronics Inc.  
84, Wanam-ro, Seongsan-gu, Changwon-si, Gyeongsangnam-do, KOREA

UK Importer :  
LG Electronics U.K. Ltd,  
Velocity 2, Brooklands Drive, Weybridge, KT13 0SL

Eco design requirement

- The information for Eco design is available on the following free access website.  
<https://www.lg.com/global/support/cedoc/cedoc>