



Owner's Manual

LG Smart Monitor Swing Stand

Please read this manual carefully before operating your set and retain it for future reference.

STA32F

www.lg.com

Copyright © 2025 LG Electronics Inc. All Rights Reserved.

ASSEMBLING AND PREPARING

⚠ CAUTION

- Always use genuine LG components to ensure safety and product performance.
- The product warranty will not cover damage or injury caused by the use of unauthorised components.
- It is recommended that you use the supplied components.
- Illustrations in this document represent typical procedures, so they may look different from the actual product.
- Do not apply foreign substances (oils, lubricants, etc.) to the screw parts when assembling the product. (Doing so may damage the product.)
- Applying excessive force when tightening screws may cause damage to the product. Damage caused in this way will not be covered by the product warranty.
- After installing the stand, mount the monitor.

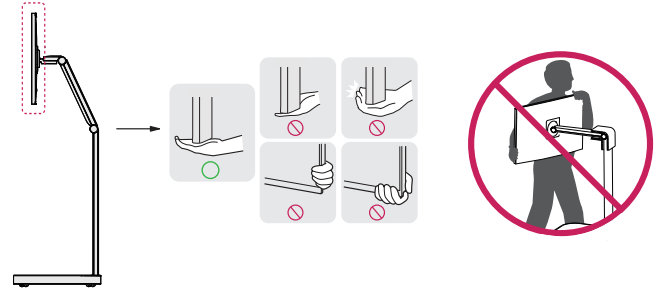
! NOTE

- The components may look different from those illustrated here.
- Without prior notice, all product information and specifications contained in this manual are subject to change to improve the performance of the product.
- To purchase optional accessories, visit an electronics store or an online shopping site, or contact the retailer from which you purchased the product.

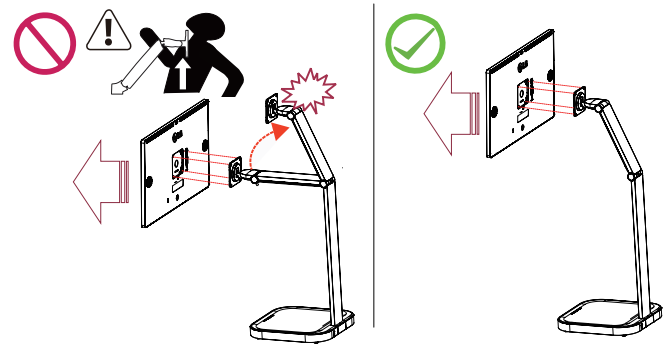
Moving the Monitor and Reinstalling the Stand

When moving or lifting the monitor, follow these instructions to prevent the monitor from being scratched or damaged and to ensure safe transportation, regardless of its shape or size.

- Place the product in the original box or packing material before attempting to move it.
- Before moving or lifting the monitor, disconnect the power cord, all other cables, and stand. (The same applies when reinstalling the stand and adjusting its position.)



- When user disassemble monitor from stand, they should remove monitor in the highest position.

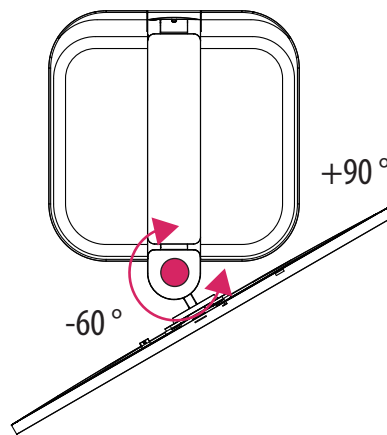


 **CAUTION**

- The monitor may tilt on uneven or slanted floor.
- Do not hang heavy items such as bags or clothes on the stand.
- Do not use excessive force when rotating the monitor. Allowing the monitor to contact a wall may injure persons nearby or damage the monitor.

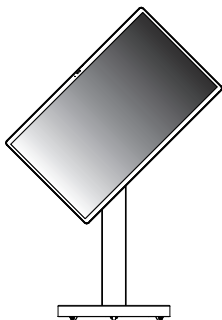
Swivel stand

- Image shown may differ from your Monitor set.
- 1 Swivel -60° ~ $+90^{\circ}$ degrees and adjust the angle of the Monitor set to suit your view.



Pivot Feature

- 1 Rotate the monitor counter-clockwise as shown in the figure.



- 2 Complete the installation by rotating the monitor 90° as shown in the figure.

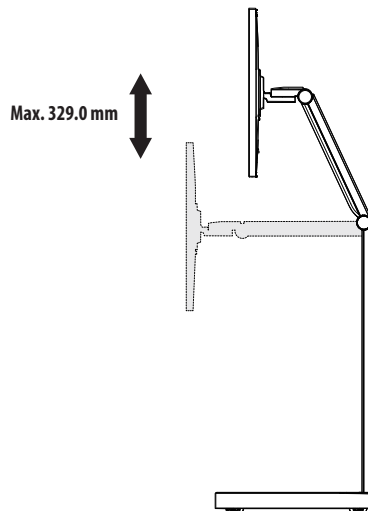


WARNING

- When using the Pivot function, do not rotate the monitor too fast or with excessive force.
- Depending on the monitor installed, the screen switching function (Pivot) may not be available.

Adjusting the Stand Height

- 1 Make sure to hold and move the monitor with both hands.



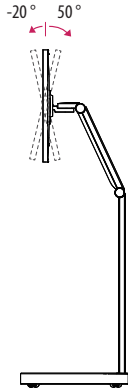
WARNING

- To avoid injury when adjusting the height, do not put your hands on the stand.

Adjusting the Angle

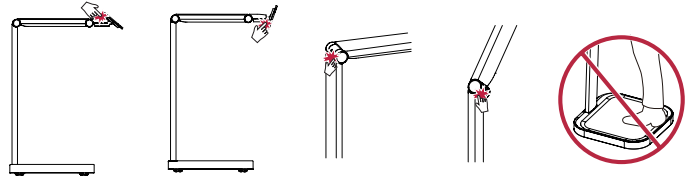
Adjust the angle of the screen.

The angle of the screen can be adjusted forward or backward from -20° to 50° for a comfortable viewing experience.



WARNING

- To avoid injury when adjusting the height, do not put your hands like below.
- Be careful not to touch or press the screen area when adjusting the angle of the monitor.
- Never Step the Stand Base like below. It can damage stand Wheel.
 - In this case, the product warranty does not apply.

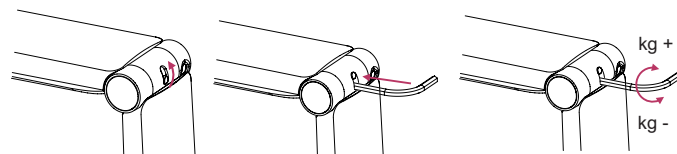
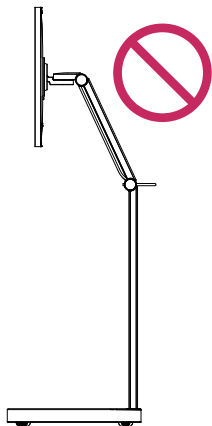
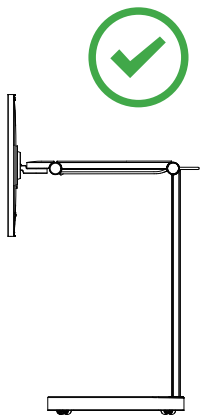


- Beware of cables attached to the monitor when rotating it.

How to Adjust the Up/Down Height Adjustment Force

When auto-up/down occurs, use a hexagon wrench to adjust the force.

- Must adjust force at the lowest height.



- 1 Open up the button.
- 2 Insert hexagon wrench until touching head hexagon screw.
- 3 Rotate the wrench.

WARNING

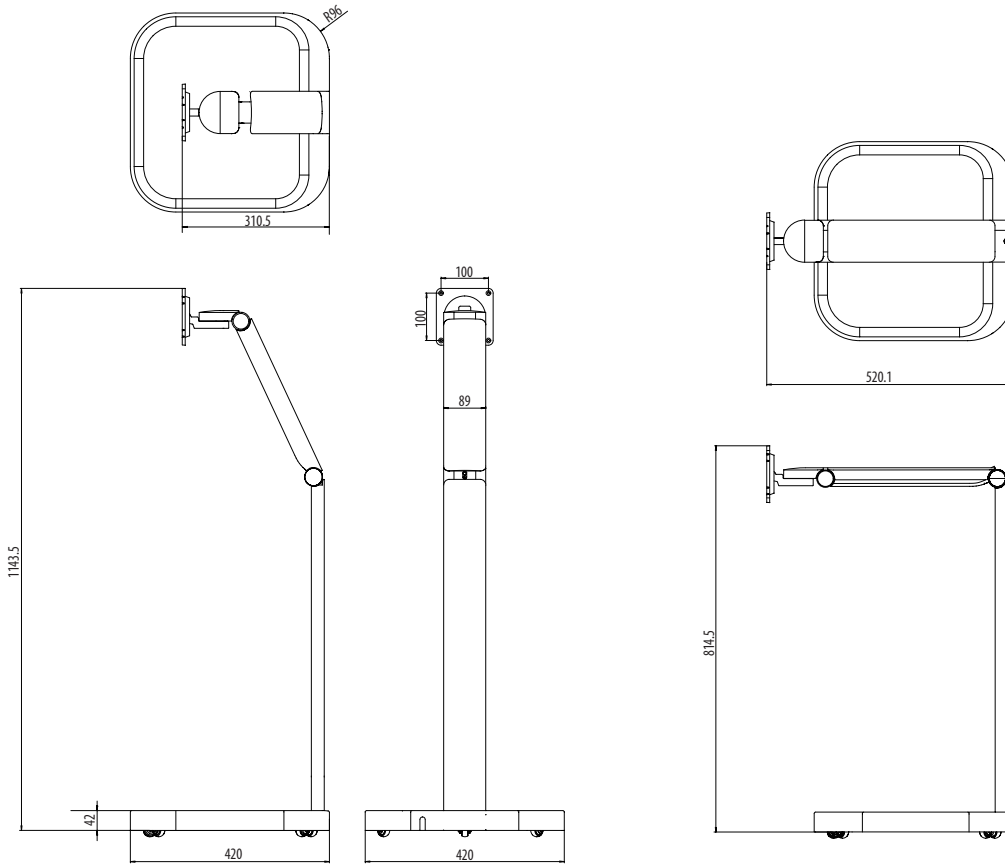
- Never adjust the force without Monitor installed.
- Must Remove Wrench after adjusting the force.
- Never Adjust Height when the Wrench inserted into Stand.

Stand information

- Weight: 14.8 kg

- Dimension

(mm)



Models Compatible with Your Stand

Stand	Compatible model name												
STA32F	27"	27SR50F	27U511SA	27SR73U	27SR75U	27U730SA	27U731SA						
	32"	32SR50F	32SR73U	32SR75U	32SR76U	32SR85U	32SR83U	32U720SA	32U721SA	32U731SA	32U830SA	32U850SA	
	34"	34SR60QC	34SR65QC	34U601SA									
	32"Touch	32U880SA	32U889SA										

This stand is designed based on head weight (4 kg ~ 6.5 kg).

CAUTION

- This stand is intended for use only with the above model of LG Electronics Inc.
- Use with other product may result in instability causing injury.
- Also it may not operate normally and may result in damage to the product.
 - In this case, the product warranty does not apply.



The model and serial number of the product are located on the back and on one side of the product.
Record them below in case you ever need service.

Model

Serial No.
